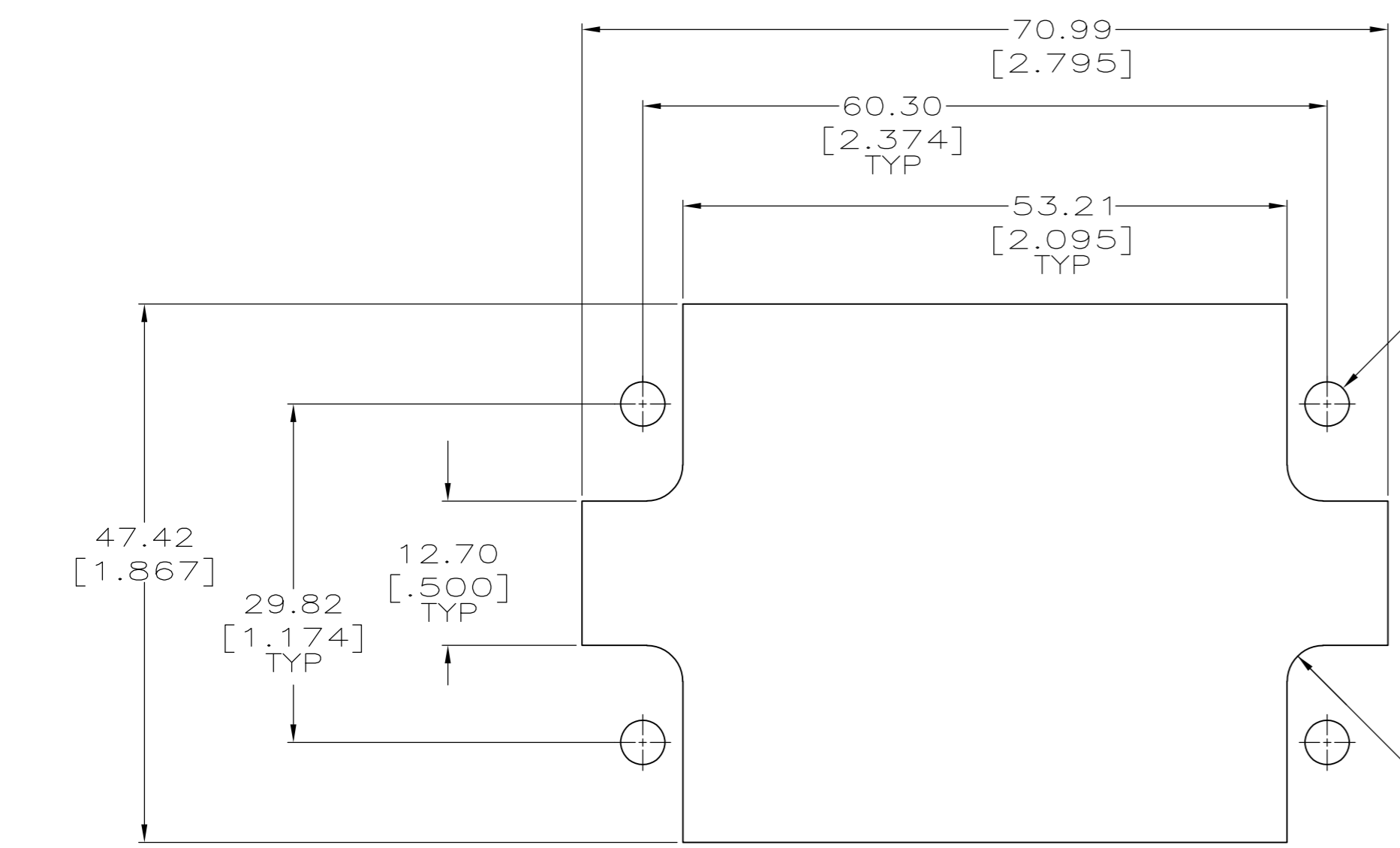
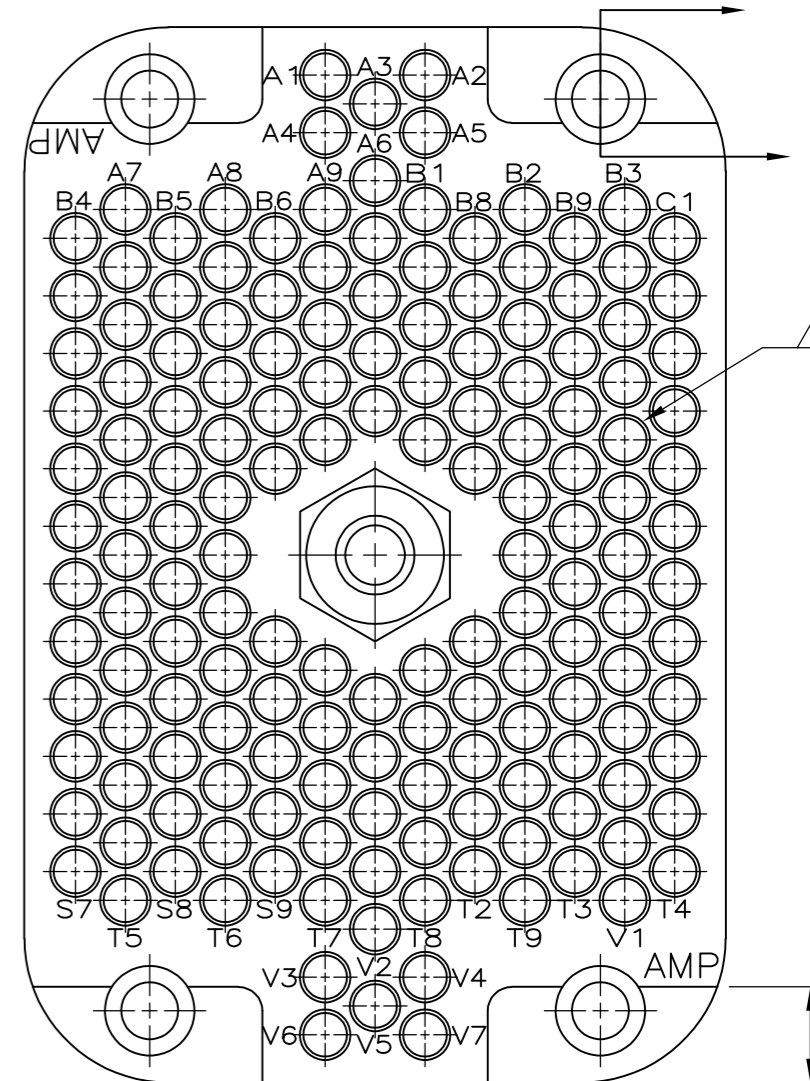
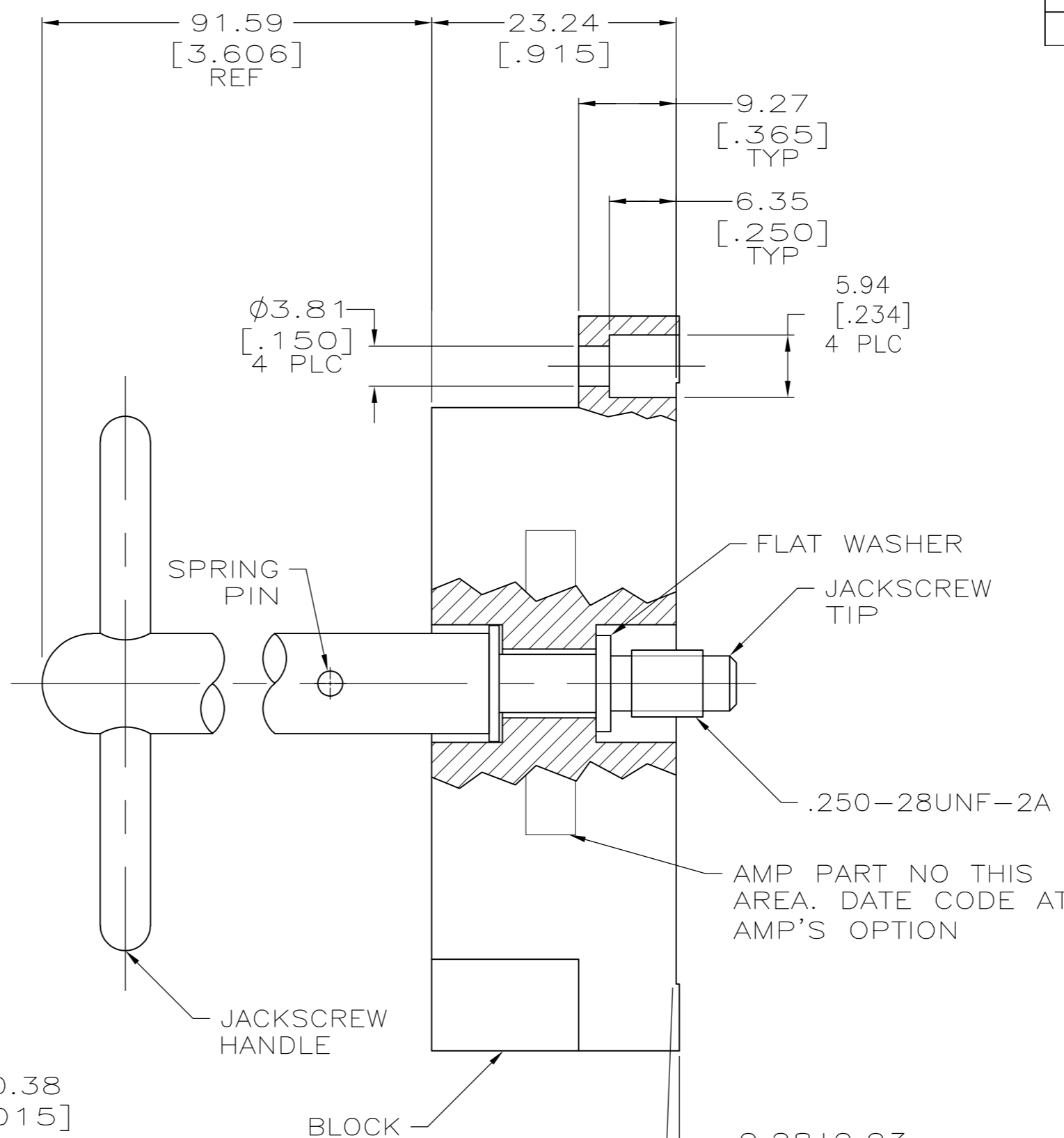
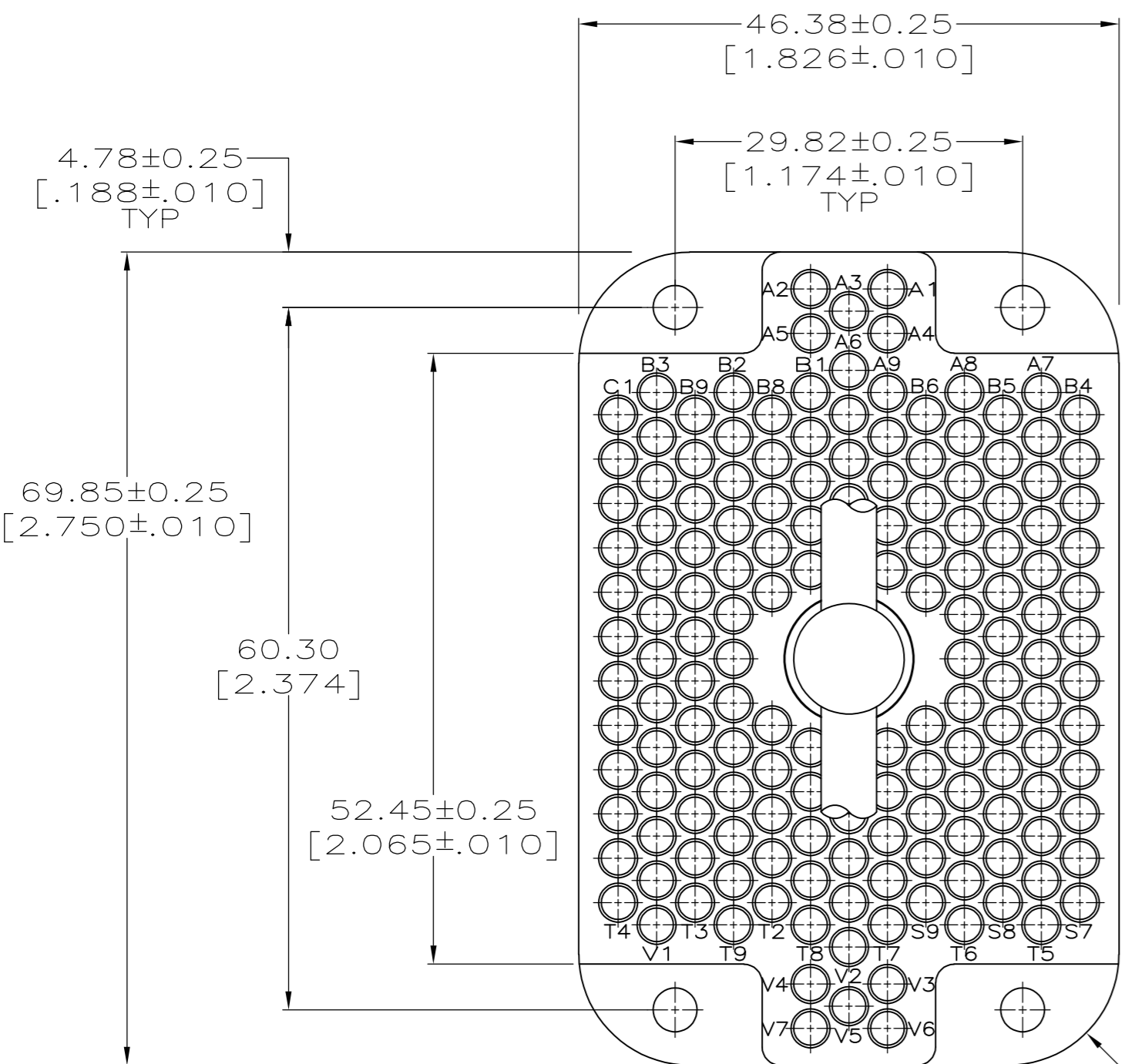


THIS DRAWING IS UNPUBLISHED. RELEASED FOR PUBLICATION  
 © COPYRIGHT - By - ALL RIGHTS RESERVED.

REVISIONS				
P	LTR	DESCRIPTION	DATE	APVD
D3		REVISED PER ECO-16-004000	28SEP2016	NK MZ



- 1 BLOCK: SEE TABLE. JACKSCREW HANDLE, JACKSCREW TIP, & FLAT WASHER: STAINLESS STEEL. SPRING PIN: HIGH CARBON STEEL.
- 2 JACKSCREW HANDLE, JACKSCREW TIP, & FLAT WASHER: PASSIVATED.
- 3 MATES WITH BLOCK 202800.
- 4 DIALLYL PHTHALATE, PER MIL-M-14, TYPE SDG-F, BLUE.
- 5 PHENOLIC PER MIL-M-14, TYPE CFG, BLACK.
- 6 FINISH: ZINC PLATE WITH HEXAVALENT CHROMATE.
- 7 FINISH: ZINC PLATE WITH NON-HEXAVALENT CHROMATE.
- 8 CIRCUIT CAVITY NUMBERING SKIPS I, O, Q AND U SEQUENCES
- 9 OBSOLETE PART NUMBER.

9	7	5	202799-4
9	7	4	202799-3
6	5	2	202799-2
6	4	1	202799-1
SPRING PIN FINISH	BLOCK MATERIAL	PART NUMBER	

THIS DRAWING IS A CONTROLLED DOCUMENT.		DWN B.CARBO 08 AUG 97	<b>TE</b> TE Connectivity	
DIMENSIONS: mm [INCHES]		CHK R.STONE 18 AUG 97		
TOLERANCES UNLESS OTHERWISE SPECIFIED:		APVD G.STEINHAUER 05 SEP 97	NAME	
0 PLC ± -		PRODUCT SPEC	PLUG BLOCK ASSY, 160 POSITION, W/ CENTER FASTENER, M SERIES	
1 PLC ± -		APPLICATION SPEC	SIZE CAGE CODE DRAWING NO RESTRICTED TO	
2 PLC ± 0.13 [.005]		WEIGHT	A2 00779 C=202799	
3 PLC ± -		CUSTOMER DRAWING	SCALE 2:1 SHEET 1 of 1 REV D3	
4 PLC ± -				
ANGLES ± -				
FINISH 1				
FINISH 2				