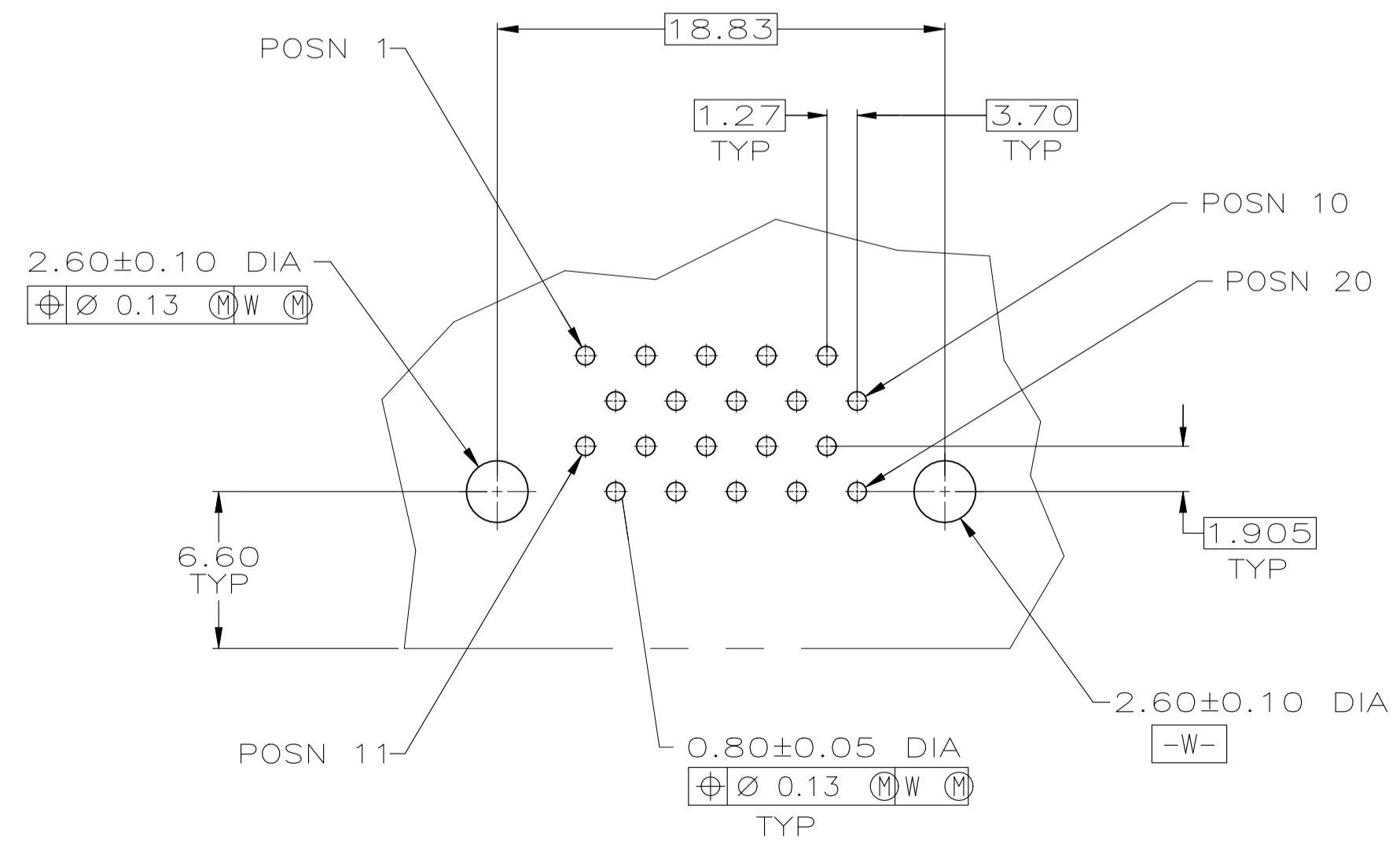
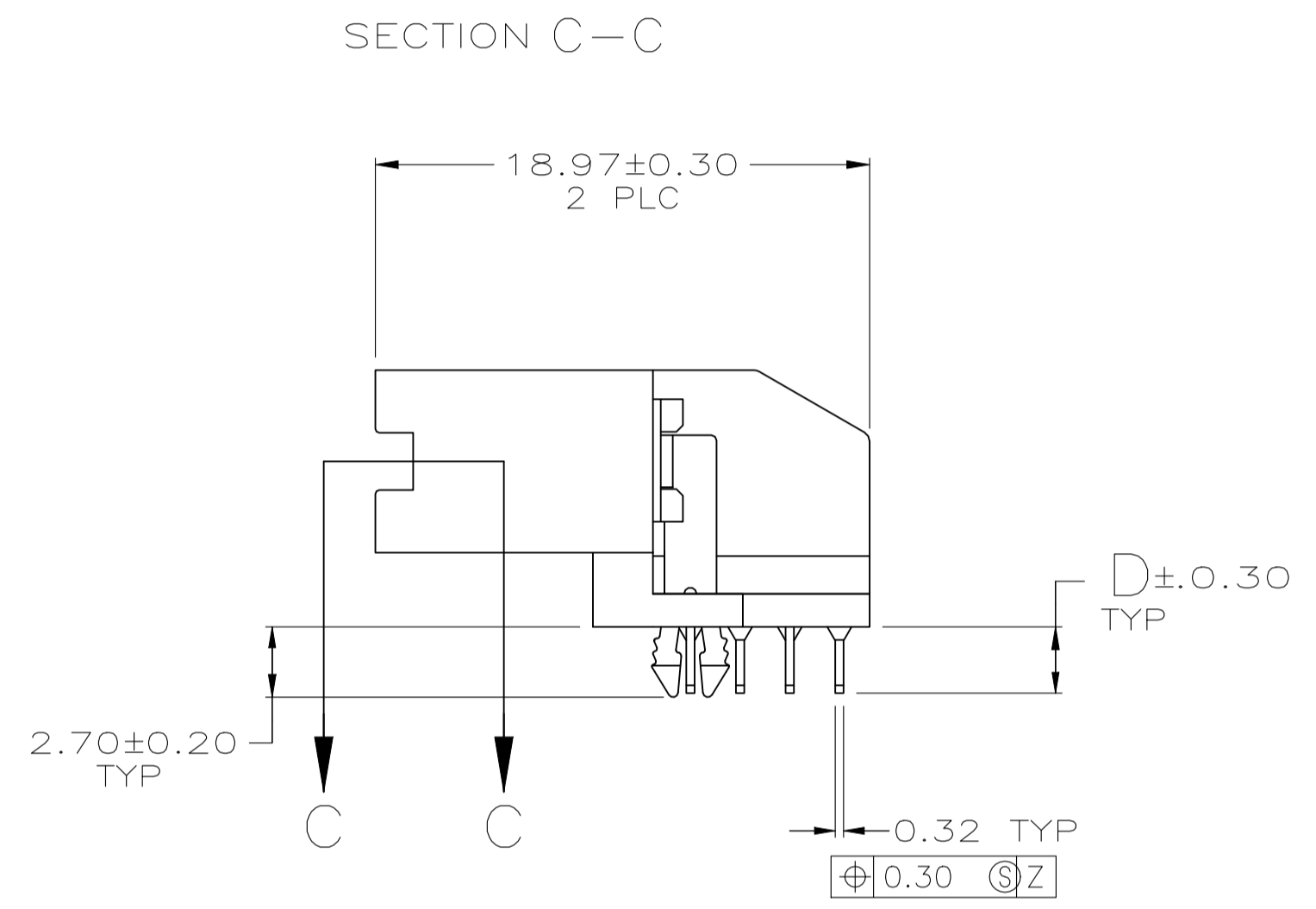
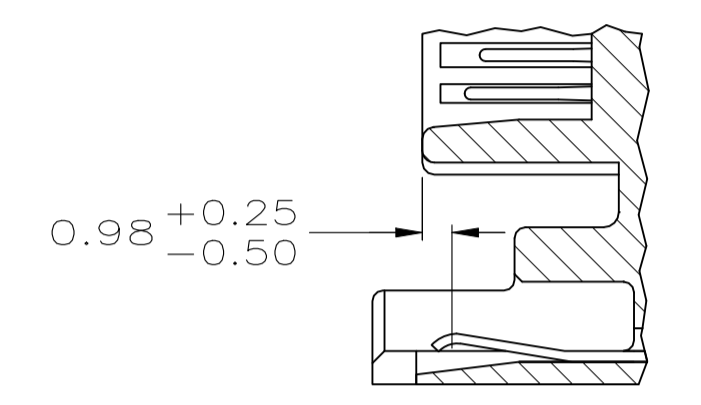
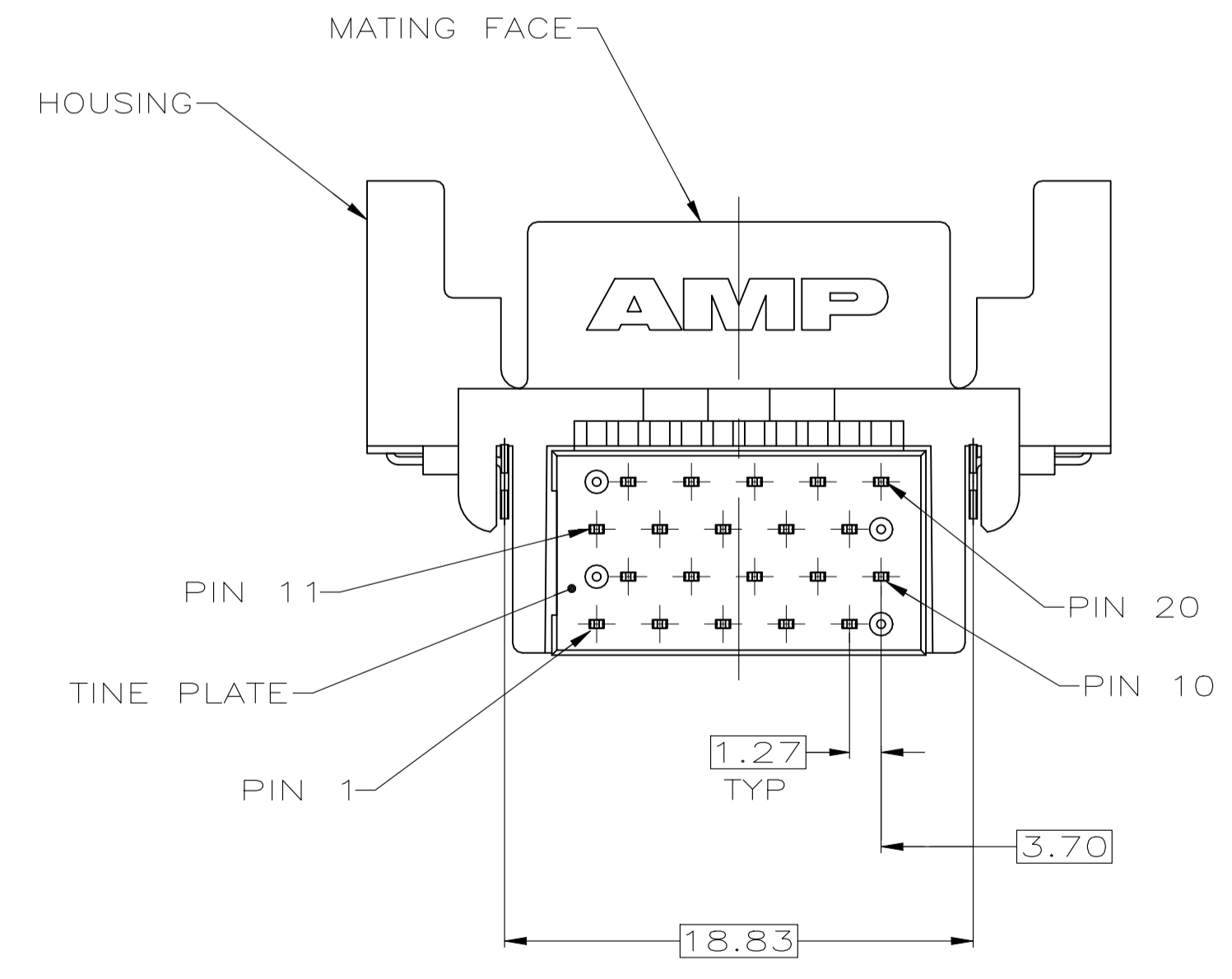
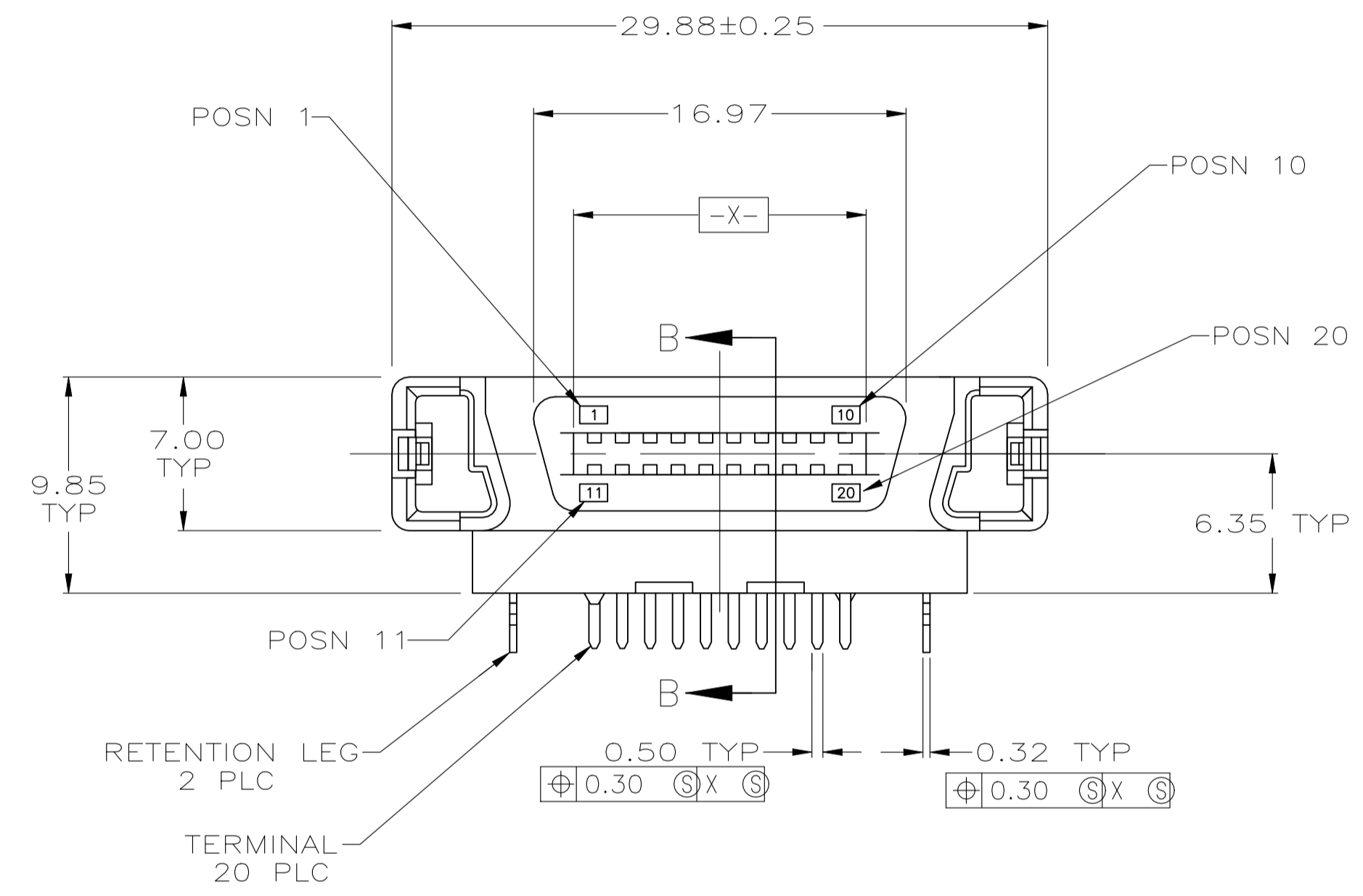
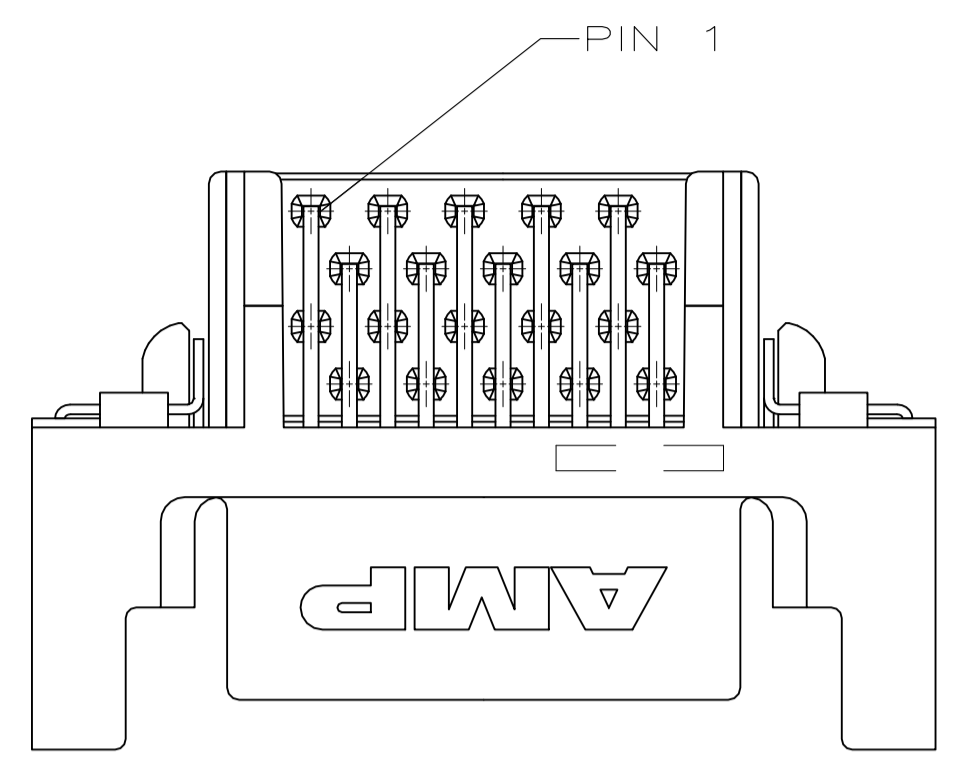
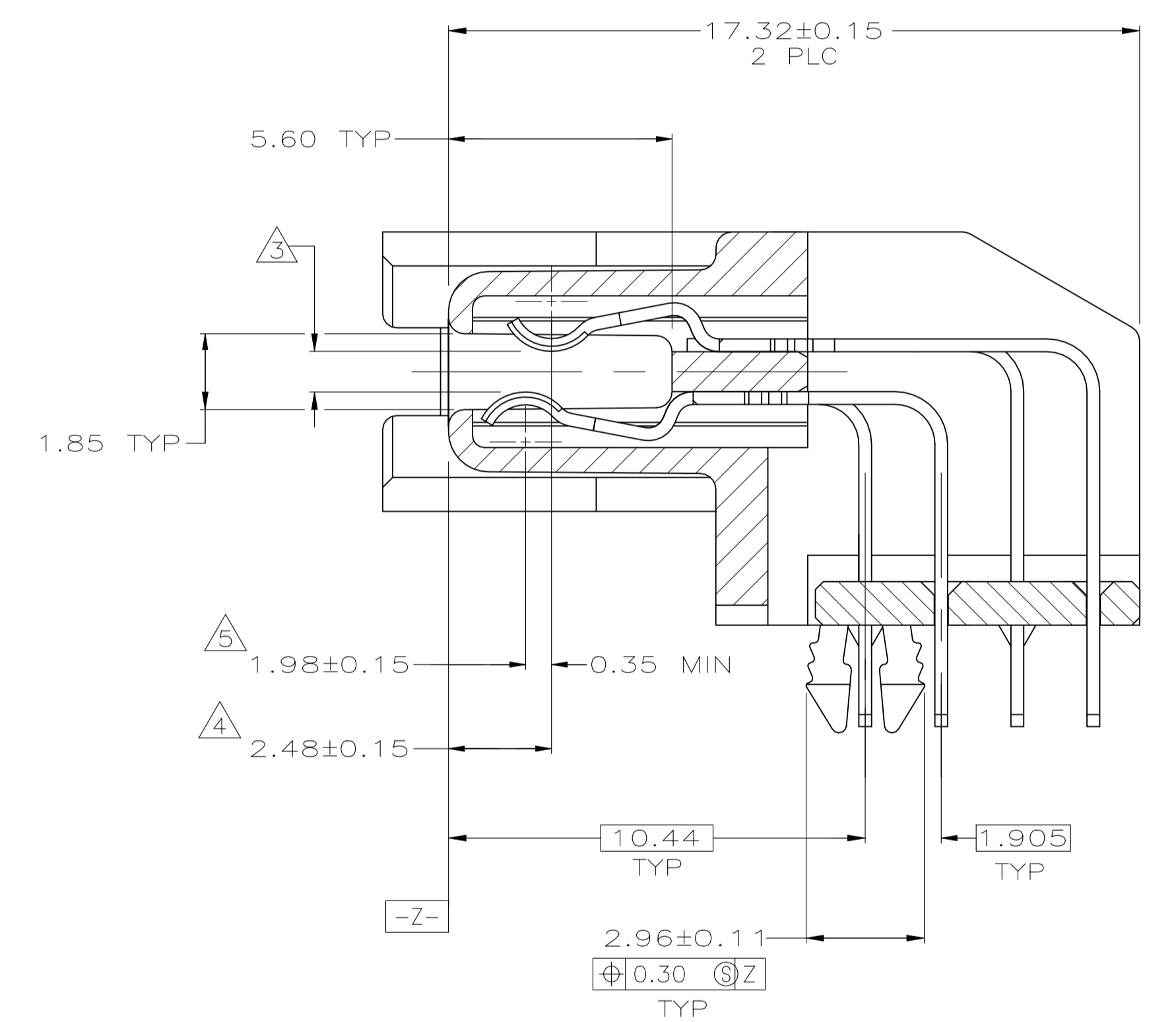


REVISIONS				
REV	DESCRIPTION	DATE	BY	APP'D
H1	REVISED AS PER ECR-22-156965	26JUL2023	SM	WZ



RECOMMENDED PC BOARD MOUNTING DIMENSIONS COMPONENT SIDE

- ⚠ HOUSING AND TINE PLATE: LCP, BLACK, UL 94V-0 RATED.
TERMINALS: PHOSPHOR BRONZE.
RETENTION LEGS: BRASS.
- ⚠ TERMINALS: 0.76μm MIN GOLD FOR A LENGTH 1.20 MIN STARTING 0.50 MAX FROM MATING END, 3.81μm MIN TIN-LEAD FOR A LENGTH OF 3.40 MIN FROM OPPOSITE END, BOTH OVER 1.27μm MIN NICKEL.
RETENTION LEGS: 3.81μm MIN TIN-LEAD OVER 1.27μm MIN NICKEL.
- ⚠ CONNECTOR WILL ACCOMMODATE MATING PRINTED CIRCUIT BOARD OF 1.60±0.07.
- ⚠ CONTACTS 1-10,15,16 ARE POSITIONED AWAY FROM MATING FACE (SECOND MATE).
- ⚠ CONTACTS 11-14 AND 17-20 ARE POSITIONED TOWARD MATING FACE (FIRST MATE).
- ⚠ TERMINALS: 0.76μm MIN GOLD FOR A LENGTH 1.20 MIN STARTING 0.50 MAX FROM MATING END, 3.81μm MIN TIN FOR A LENGTH OF 3.40 MIN FROM OPPOSITE END, BOTH OVER 1.27μm MIN NICKEL.
RETENTION LEGS: 3.81μm MIN TIN OVER 1.27μm MIN NICKEL.



SECTION B-B SCALE 8:1

OBSOLETE

YES	⚠ 6	3.05	787653-4
YES	⚠ 6	2.54	787653-3
NO	⚠ 2	3.05	787653-2
NO	⚠ 2	2.54	787653-1
LEAD FREE FINISH	D		PART NUMBER

THIS DRAWING IS A CONTROLLED DOCUMENT.

DIMENSIONS: mm	TOLERANCES UNLESS OTHERWISE SPECIFIED:	DIN B MCMASTER 29MAR04	REV'D S. SHUEY 29MAR04	NAME
0 PLC ± -	1 PLC ± -	2 PLC ± 0.10	3 PLC ± -	4 PLC ANGLES ± -
MATERIAL	FINISH SEE TABLE	WEIGHT 0.000000	SIZE CAGE CODE DRAWING NO A1 00779C=787653	RESTRICTED TO

STE TE Connectivity

RECEPTACLE ASSEMBLY, RIGHT ANGLE, 20 POS. BTOB, .050, SERIES 1, CHAMP BLINDMATE

108-1548

114-6061

CUSTOMER DRAWING SCALE 4:1 SHEET 1 OF 1 REV H1