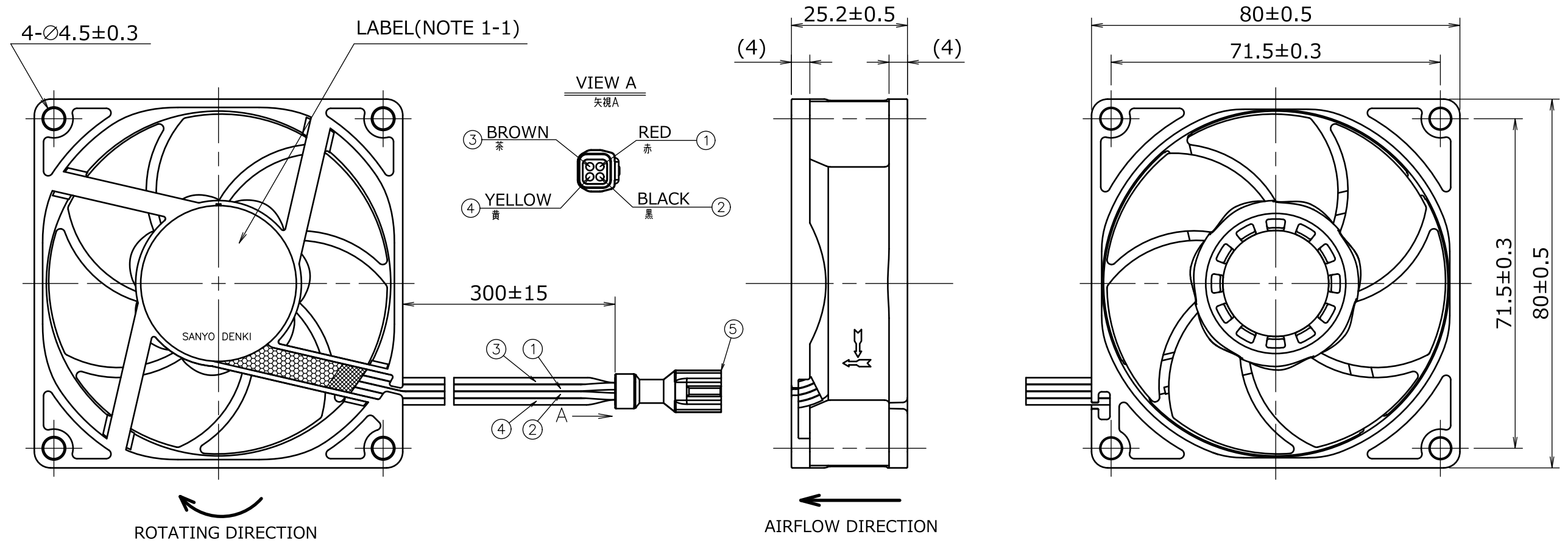


# 1. DIMENSIONS AND PARTS LIST

<DIMENSIONS>



<LEAD WIRE CONNECTION TABLE>

ITEM No.	SIGNAL	LEADWIRE	COLOR	PIN No.
1	+	UL1430 AWG26	RED	1
2	GND	UL1430 AWG26	BLACK	2
3	PWM	UL1430 AWG26	BROWN	3
4	SENSOR	UL1430 AWG26	YELLOW	4

ITEM No.	PARTS NAME	REMARKS
5	CONTACT	HIROSE : DF62W-EP2226PCF
	CONNECTOR	HIROSE : DF62W-4EP-2.2C

NOTE 1-1. PRINT PRODUCT NAME, MODEL No., MANUFACTURER, AND MANUFACTURED DATE ETC.  
品名, 型名, 製造会社名 及び 製造年月日等を表示する。

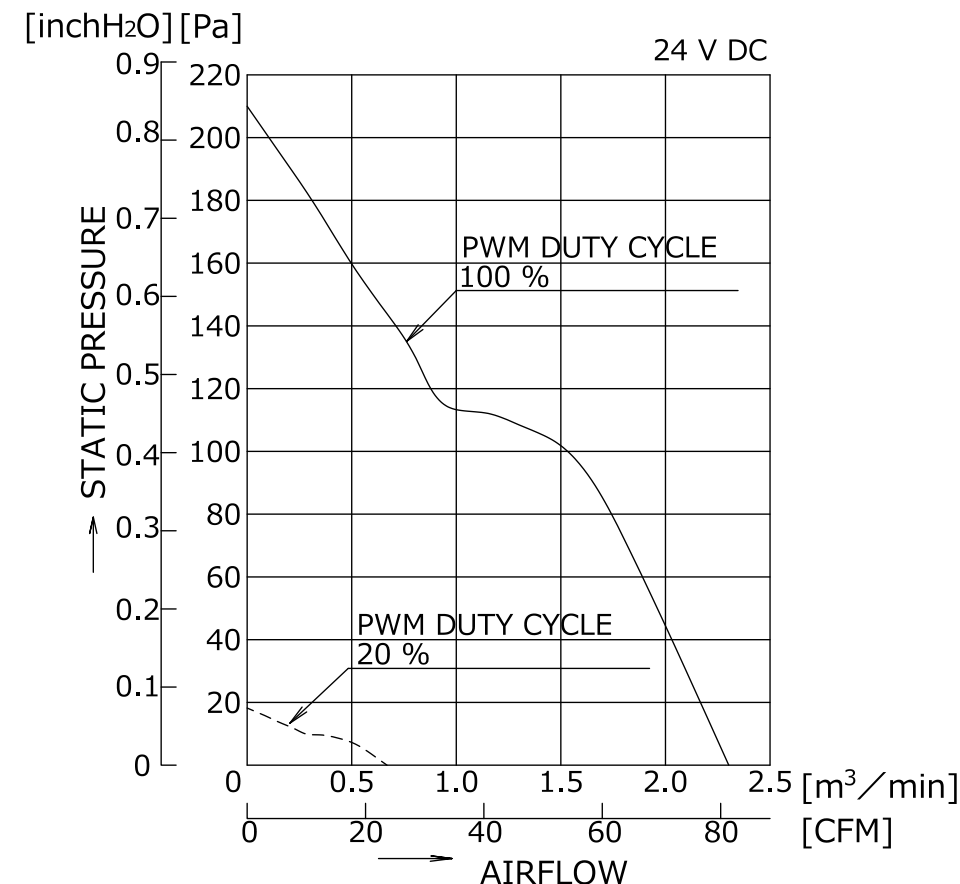
	ECN No.	名称 Title	
	E0204765	San Ace 80W (9WPA) RIBBED/PULSE_SENSOR/PWM_CONTROL	
単位 Unit mm	新規 New Design D.CAPARAS 20-11-13		
尺度 Scale -	図面番号 Dwg. No.	9WPA0824P4G003	
		承認 Approved By TE.YAMAZAKI 20-11-23	審査 Checked By A.NAKAYAMA 20-11-23 設計 Designed By D.CAPARAS 20-11-19
Group	D12	User	E0
		Page	1/4

## 2. DESCRIPTION AND AIRFLOW-STATIC PRESSURE CHARACTERISTICS EXAMPLE

### <DESCRIPTION>

ITEM	UNIT	DESCRIPTION		
PWM DUTY CYCLE	%	100	20	0
RATED VOLTAGE	V DC	24		
OPERATING VOLTAGE RANGE	V DC	21.6 ~ 26.4		
MAX. AIRFLOW (NOTE 2-2)	m <sup>3</sup> /min (CFM)	2.32 (81.9)	0.67 (23.6)	-
MAX. STATIC PRESSURE (NOTE 2-2)	Pa (inchH <sub>2</sub> O)	210 (0.84)	18.2 (0.073)	-
RATED CURRENT (NOTE 2-2)	A	0.36	0.05	0.04 MAX.
RATED SPEED	min <sup>-1</sup>	8250±825	2400±720	NO ROTATION
INSULATION RESISTANCE (NOTE 2-3)	-	10 MΩ MIN. AT 500 V DC		
DIELECTRIC STRENGTH (NOTE 2-3)	-	1 MINUTE AT 500 V AC, 50/60 Hz		
OPERATING TEMPERATURE	°C	-20 ~ 70		
STORAGE TEMPERATURE	°C	-30 ~ 70		
EXPECTED LIFE	-	40,000 h / 60 °C (L10, CONTINUOUS OPERATION)		
SOUND PRESSURE LEVEL (NOTE 2-2, 2-4)	dB(A)	54	21	-
MASS	g	APPROX. 130		
MATERIAL	-	FRAME, IMPELLER : PLASTICS		
BEARING SYSTEM	-	2 BALL BEARINGS		
CONTROL TERMINAL	-	SOURCE CURRENT: 1 mA MAX. AT CONTROL VOLTAGE 0 V		
	-	SINK CURRENT : 1 mA MAX. AT CONTROL VOLTAGE 5.25 V		
	-	CONTROL TERMINAL VOLTAGE : 5.25 V MAX. (OPEN CIRCUIT)		
IP CODE	-	IP68 (IEC 60529:2001)		

### <AIRFLOW-STATIC PRESSURE CHARACTERISTICS EXAMPLE>



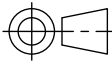
- NOTE 2-1. VALUES FOR EACH CHARACTERISTIC ARE AT ROOM TEMPERATURE AND NORMAL HUMIDITY.  
諸特性は常温、常湿での値。
- 2-2. UNSPECIFIED VALUE IS THE NOMINAL VALUE.  
指定なき値は標準値。
- 2-3. MEASURED BETWEEN LEAD WIRE CONDUCTORS AND FRAME.  
リード線導体部とフレームとの間。
- 2-4. MEASURED AT 1 m FROM THE AIR INLET.  
ファン吸込側より1 mにて測定する。
- 2-5. MOTOR IS PROTECTED FROM DAMAGE OF LOCKED ROTOR CONDITION AT THE OPERATING VOLTAGE.  
DO NOT LOCK ROTOR OUTSIDE OF OPERATING VOLTAGE.  
ファン拘束時焼損の恐れはない。使用電圧範囲外でファンを拘束しないこと。

2-6. ALL ELECTRICAL PARTS IN THIS FAN MOTOR HAVE BEEN COATED WITH A LAYER OF RESIN.

本ファンモータは、活電部に樹脂コーティングを施しています。

2-7. THE HARNESS IS EXEMPT FROM IP68.

ハーネス部はIP68の対象外です。

	ECN No.	E0204765	名称 Title	San Ace 80W (9WPA)	
	単位 Unit	新規 New Design	D.CAPARAS	RIBBED/PULSE_SENSOR/PWM_CONTROL	
mm	20-11-13				
尺度 Scale	図面番号 Dwg. No.	9WPA0824P4G003			Rev. B
SANYO DENKI		承認 Approved By	審査 Checked By	設計 Designed By	
SANYO DENKI CO.,LTD. ISSUED		TE.YAMAZAKI	A.NAKAYAMA	D.CAPARAS	
Group		20-11-23	20-11-23	20-11-19	
D12		User	E0	Page 2/4	

### 3. SENSOR SPECIFICATIONS

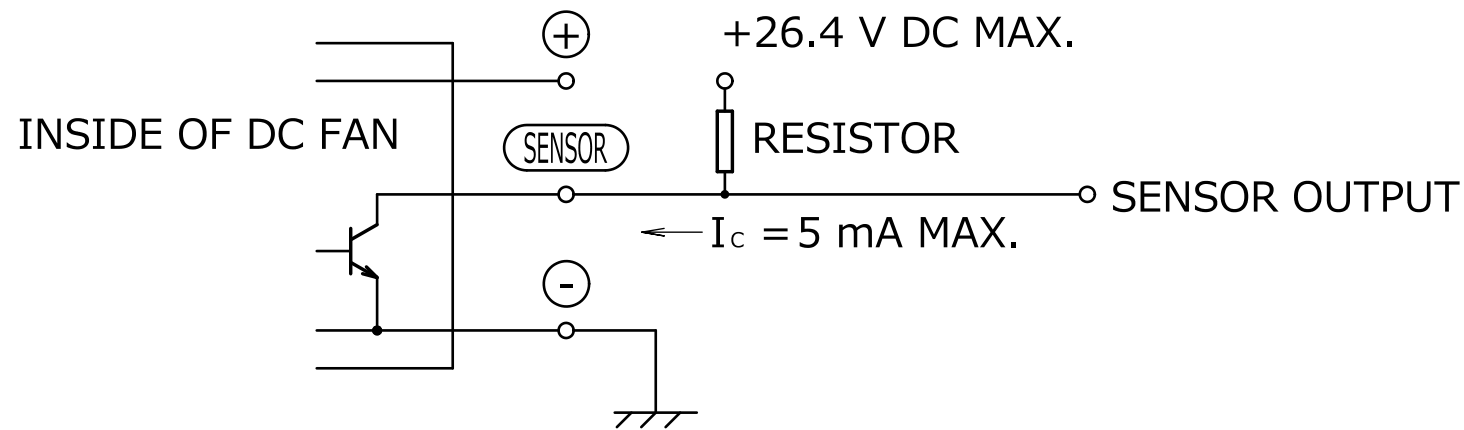
<OUTPUT CIRCUIT>

OPEN COLLECTOR

<SPECIFICATIONS>

$V_{CE} = +26.4 \text{ V DC MAX.}$

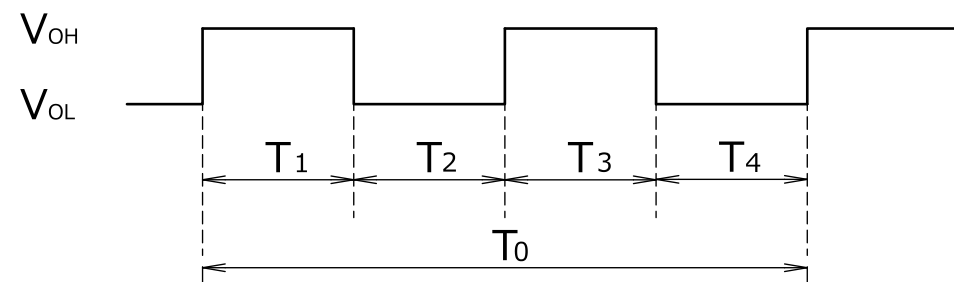
$I_C = 5 \text{ mA MAX. (} V_{CE} \text{ (SAT)} = 0.8 \text{ V MAX.)}$



<OUTPUT WAVEFORM>

(a) IN CASE OF STEADY RUNNING

ONE REVOLUTION



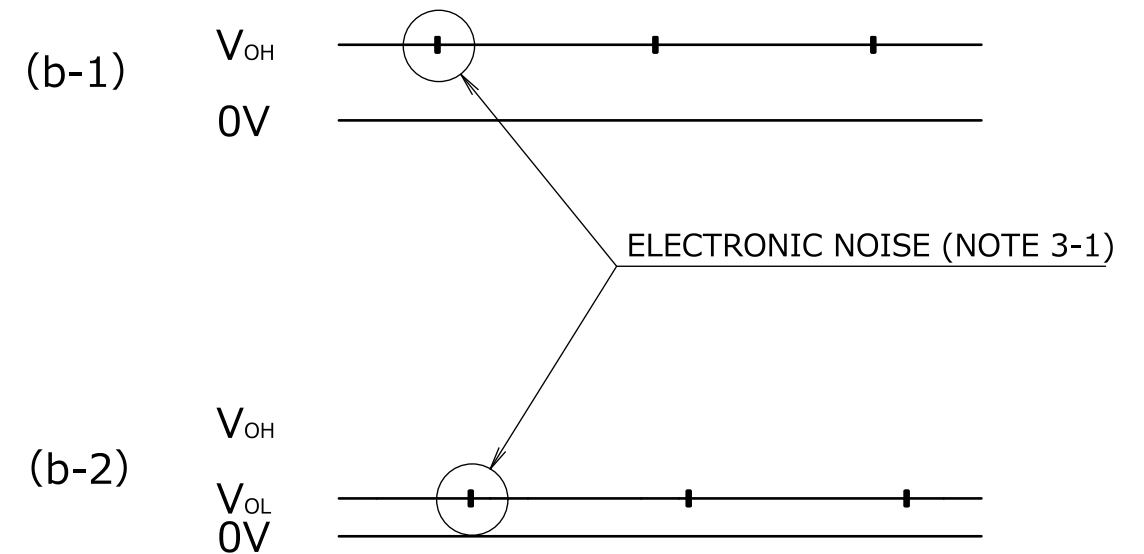
$$T_{1 \text{ to } 4} \cong (1/4) T_0$$

$$T_{1 \text{ to } 4} \cong (1/4) T_0 = 60/4 N \text{ (s)}$$

$$N = \text{FAN SPEED (min}^{-1}\text{)}$$

(b) IN CASE OF STEADY LOCKED ROTOR

SENSOR OUTPUT IS FIXED EITHER (b-1) OR (b-2).  
センサー出力は(b-1)あるいは(b-2)のどちらかに固定される。

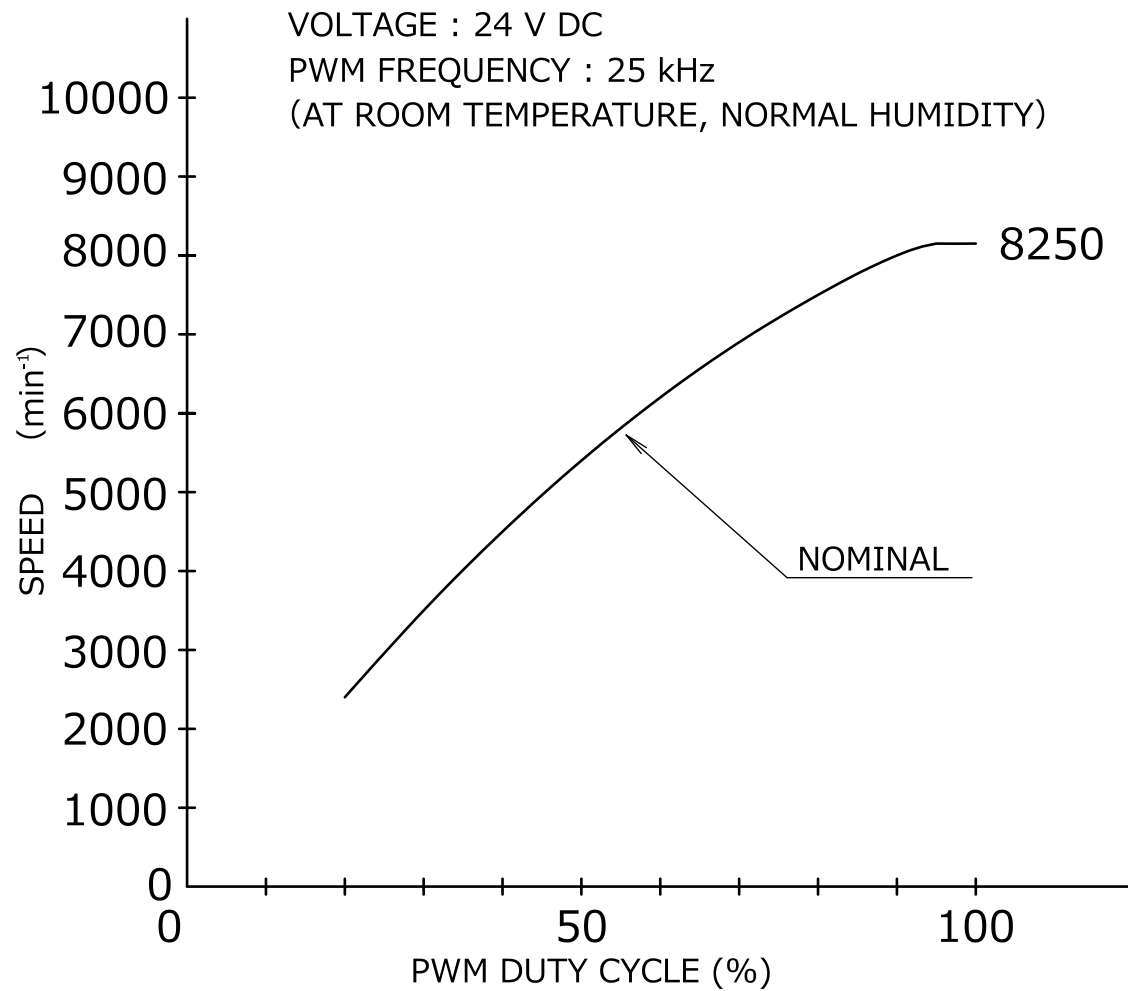


NOTE: 3-1. THE ELECTRONIC NOISE DUE TO AUTO-RESTART BEHAVIOR OF THE MOTOR MAY INFLUENCE  $V_{OH}$  OR  $V_{OL}$ .  
モータの再起動動作にともない、 $V_{OH}$ あるいは $V_{OL}$ にノイズが載ることがある。

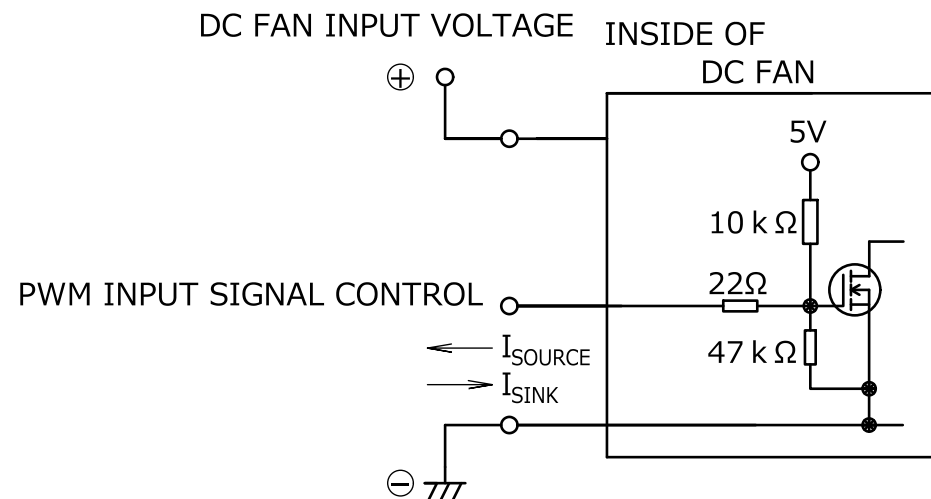
	ECN No.	E0204765	名称 Title	San Ace 80W (9WPA)	
	単位 Unit	新規 New Design	D.CAPARAS	RIBBED/PULSE_SENSOR/PWM_CONTROL	
尺度 Scale	図面番号 Dwg. No.	-	9WPA0824P4G003		Rev. B
<b>SANYO DENKI</b>			承認 Approved By	審査 Checked By	設計 Designed By
			TE.YAMAZAKI	A.NAKAYAMA	D.CAPARAS
			20-11-23	20-11-23	20-11-19
			Group D12	User E0	Page 3/4

# 4. PWM DUTY-SPEED CHARACTERISTICS EXAMPLE

<PWM DUTY-SPEED CHARACTERISTICS EXAMPLE>

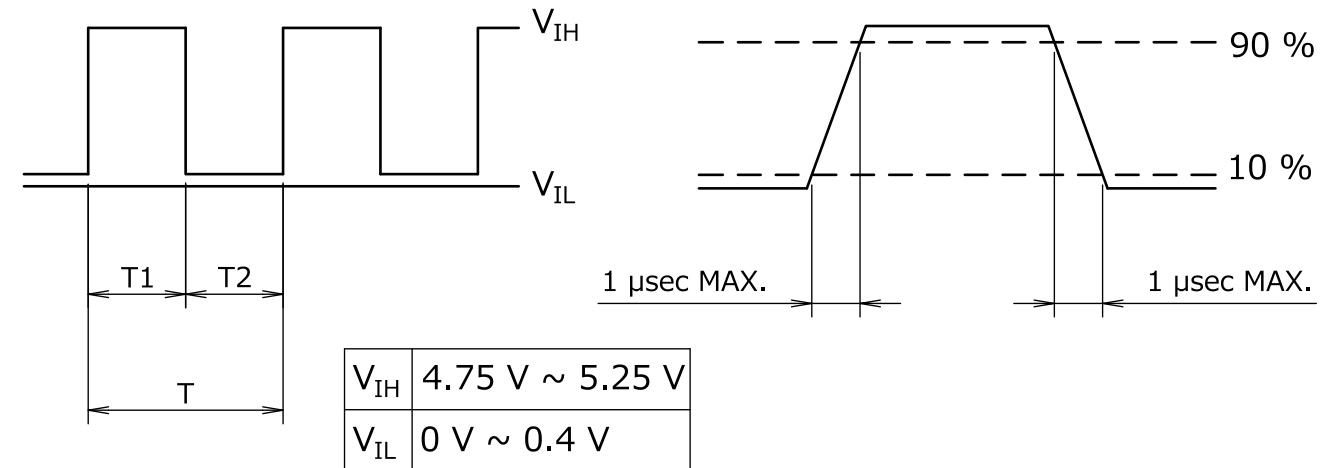


<EXAMPLE OF CONNECTION SCHEMATIC>



<PWM INPUT SIGNAL EXAMPLE>

$$\frac{T1}{T} \times 100 = \text{PWM DUTY CYCLE [\%]}$$



NOTE 4-1. PWM CONTROL SWITCHING MAY AFFECT THE SENSOR OUTPUT.

PWM制御によるスイッチングがセンサ出力に影響する場合があります。

4-2. REFER TO PAGE 2 FOR THE SPEED WITH PWM DUTY CYCLE OF 0, 20, 100 %.

PWMデューティサイクルが 0, 20, 100 % の時、回転速度は2頁を参照のこと。

4-3. WHEN THE CONTROL TERMINAL IS OPEN, FAN SPEED IS THE SAME AS WHEN PWM DUTY CYCLE IS 100 %.

PWM入力端子がオープン状態の時、回転速度はPWMデューティサイクル100 %と同じであること。

4-4. EITHER TTL INPUT, OPEN COLLECTOR OR OPEN DRAIN CAN BE USED FOR PWM CONTROL INPUT SIGNAL.

AND IN CASE OF OPEN COLLECTOR, DRAIN INPUT, THE PWM DUTY CYCLE SHOULD BE  $(T-T2) \times 100 / T$ .

PWM入力信号はTTL入力又は、オープンコレクタ、ドレイン入力にて使用可能であること。

但し、オープンコレクタ、ドレイン入力の場合、PWMデューティ =  $(T-T2) \times 100 / T$  のこと。

	ECN No.	名称 Title	
	E0204765	San Ace 80W (9WPA) RIBBED/PULSE_SENSOR/PWM_CONTROL	
単位 Unit	新規 New Design	設計 Designed By	
mm	D.CAPARAS 20-11-13	D.CAPARAS 20-11-19	
尺度 Scale	図面番号 Dwg. No.	承認 Approved By	
-	-	TE.YAMAZAKI 20-11-23	
		審査 Checked By	設計 Designed By
		A.NAKAYAMA 20-11-23	D.CAPARAS 20-11-19
Group		User	Page
D12		E0	4/4