



ANATECH ELECTRONICS INC
RF & Microwave Filters & Products

400 MHz LC Low Pass Filter

Part Number: AE400L9179



Electrical Specifications

Frequency Range: DC-400 MHz

Insertion Loss: 0.3 dB Max

VSWR: 1.30:1 Max

Rejection: >50 dB @ 750 MHz

Power: 700 W CW

Peak Power: 1 kWpp (50 μ /500 μ s)

Mechanical

Connector Type: TNC (F) / N-Type (F)

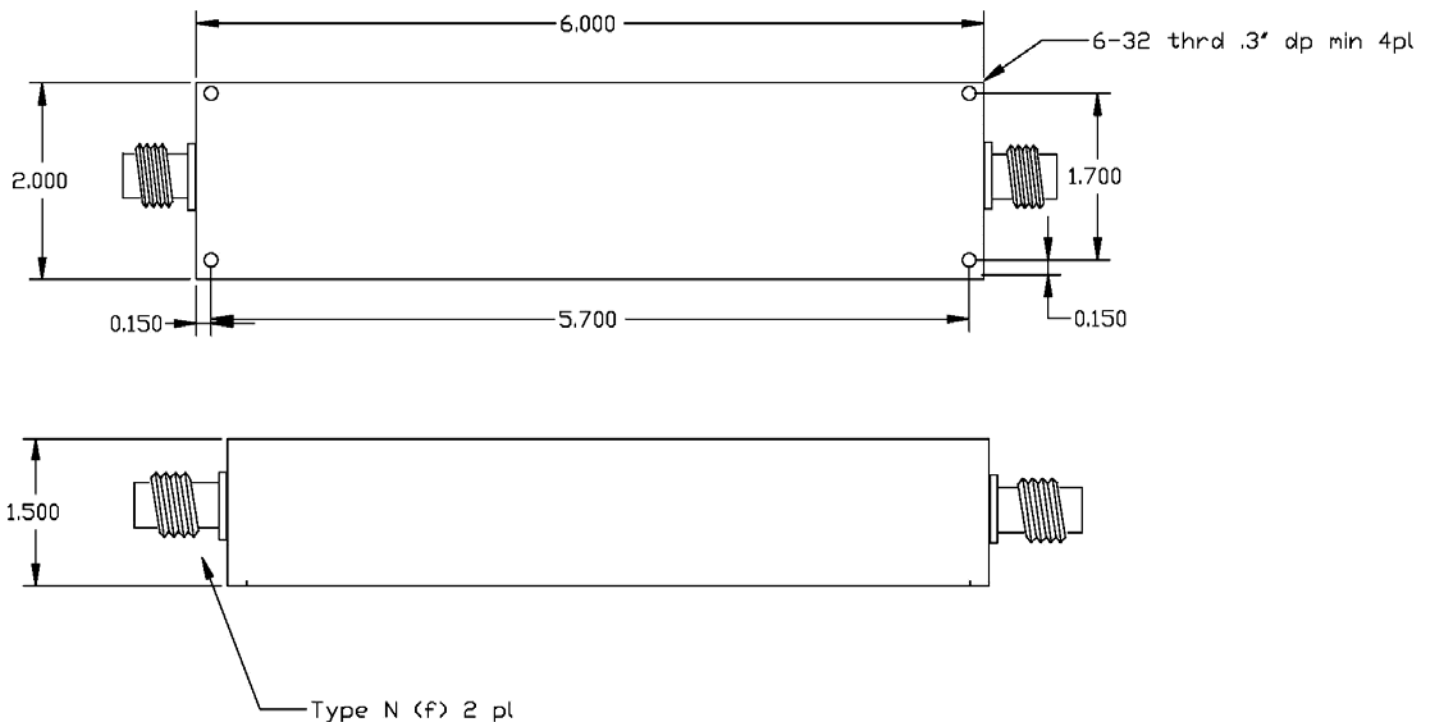
Dimensions: 6.00 x 2.00 x 1.50 Inches

Environmental

Operating Temperature: -40 to +85° C

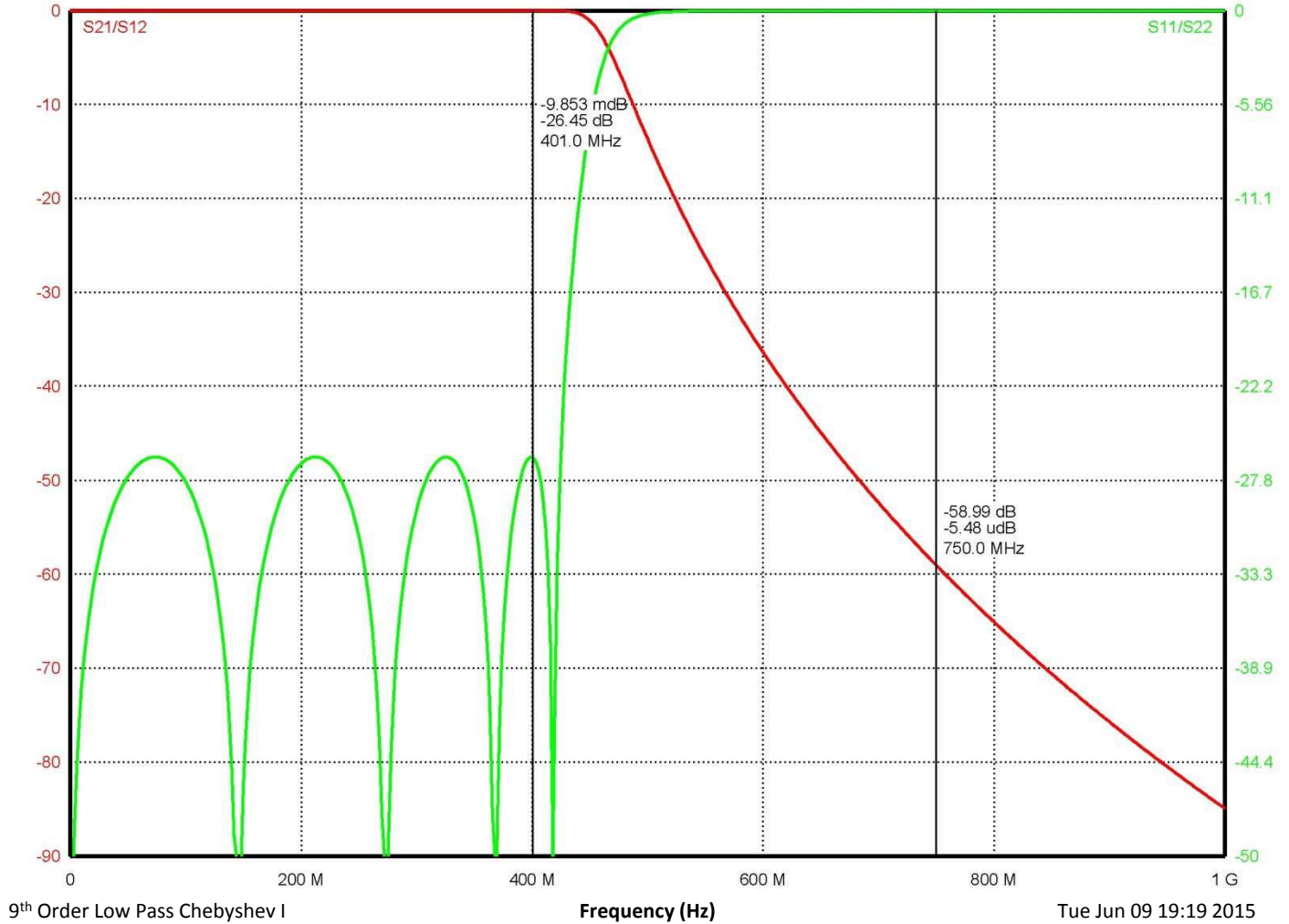
Storage Temperature: -50 to +95° C

Outline Drawing:





Response Plot:



Note: This is a simulation plot. Actual results may differ once the product is implemented.