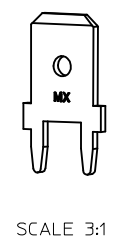
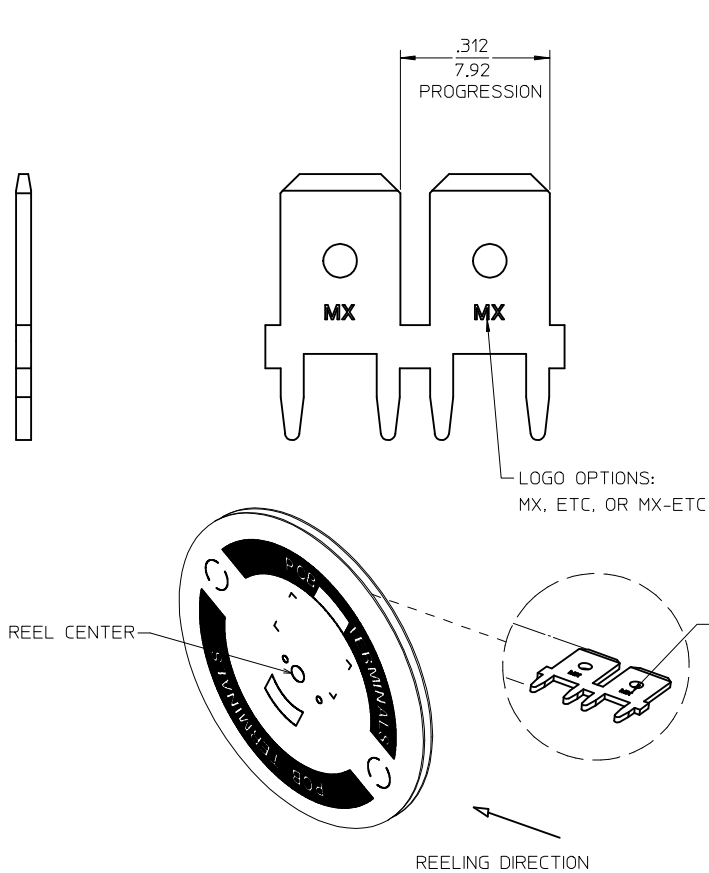
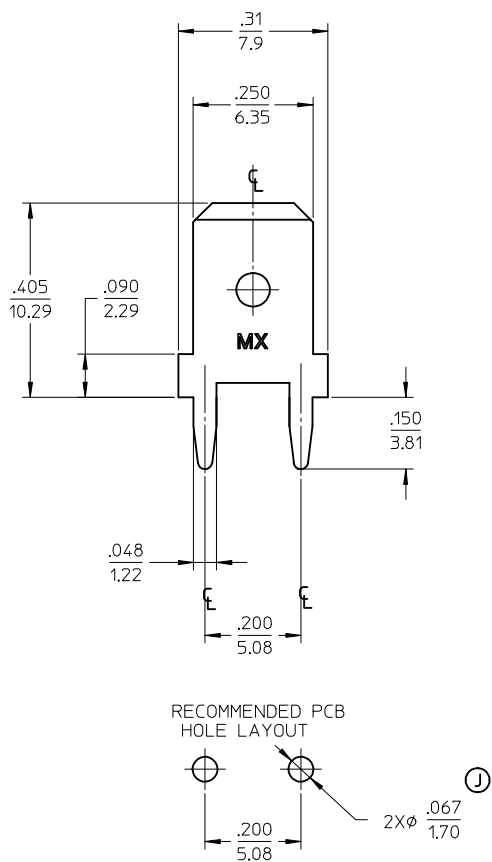


MATERIAL NUMBER	ENGINEERING NUMBER	CARRIER	LOGO ORIENTATION
197054303	19705-4303	STRIP	IN
197054305	19705-4305	STRIP	OUT
197054301	19705-4301	LOOSE	-



- NOTES:
1. BARE EDGES PERMISSIBLE AT CARRIER CUT OFF.
  2. MATERIAL: BRASS C26000 (.032/0.81) THICK.
  3. TAB CONFORMS TO NEMA SPECIFICATIONS.
  4. ALL DIMENSIONS AND NOTES REFERENCE UNLESS OTHERWISE NOTED.
  5. PLATING: MATTE TIN 150MN/3.814mm MINIMUM THICKNESS OVER NICKEL 504N/1.254mm MINIMUM THICKNESS.
  6. REF: 9,000 MINIMUM PARTS PER REEL, REEL HAS 14" DIAMETER REEL WITH A 1.25" DIAMETER CENTER HOLE.
  7. PART IS ROHS COMPLIANT.

REVISED PCB HOLE DIA EC NO: ETC2007-0403 DRW:HEHLE 2007/05/14 CHKD: JMACNEIL 2007/05/14 APPR: JMACNEIL 2007/05/15	QUALITY SYMBOLS ▽=0 ▽=0	GENERAL TOLERANCES (UNLESS SPECIFIED)		DIMENSION STYLE IN/MM		SCALE 5:1	DESIGN UNITS INCH	THIRD ANGLE PROJECTION	
		mm	INCH	DRAWN BY EDB	DATE 11/08/96	TITLE QUICK DISCONNECT PCB MOUNTABLE .250 X .032 TAB			
		4 PLACES ± --- ± ---		CHECKED BY JH	DATE 11/08/96	MOLEX INCORPORATED			
		3 PLACES ± --- ± .005		APPROVED BY RWD	DATE 11/08/96				
		2 PLACES ± 0.13 ± .01		MATERIAL NO. SEE CHART		DOCUMENT NO. SD-19705-430		SHEET NO. 1 OF 1	
		1 PLACE ± 0.25 ± ---		THIS DRAWING CONTAINS INFORMATION THAT IS PROPRIETARY TO MOLEX INCORPORATED AND SHOULD NOT BE USED WITHOUT WRITTEN PERMISSION					
		ANGULAR ± 1/2°							
		DRAFT WHERE APPLICABLE MUST REMAIN WITHIN DIMENSIONS							