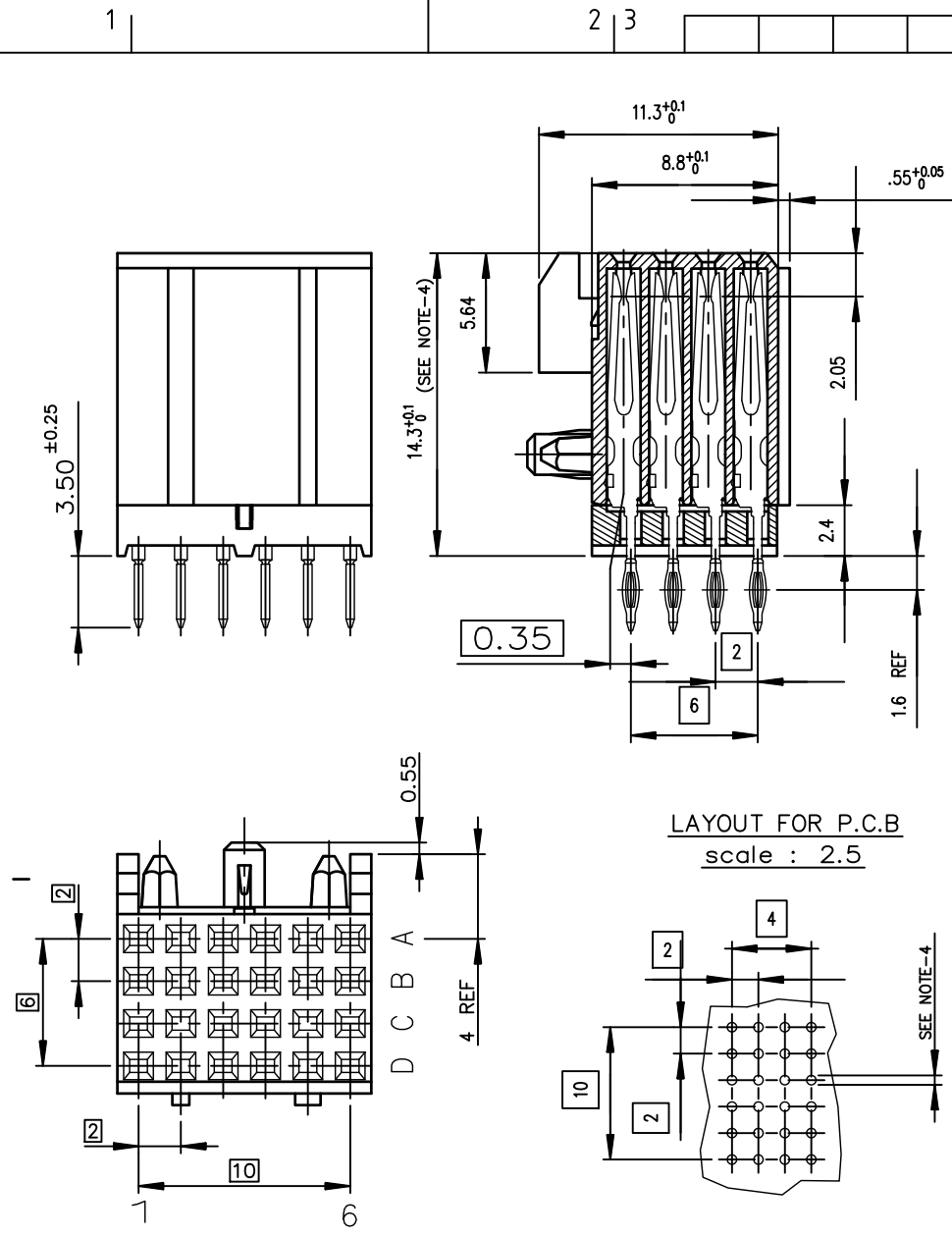




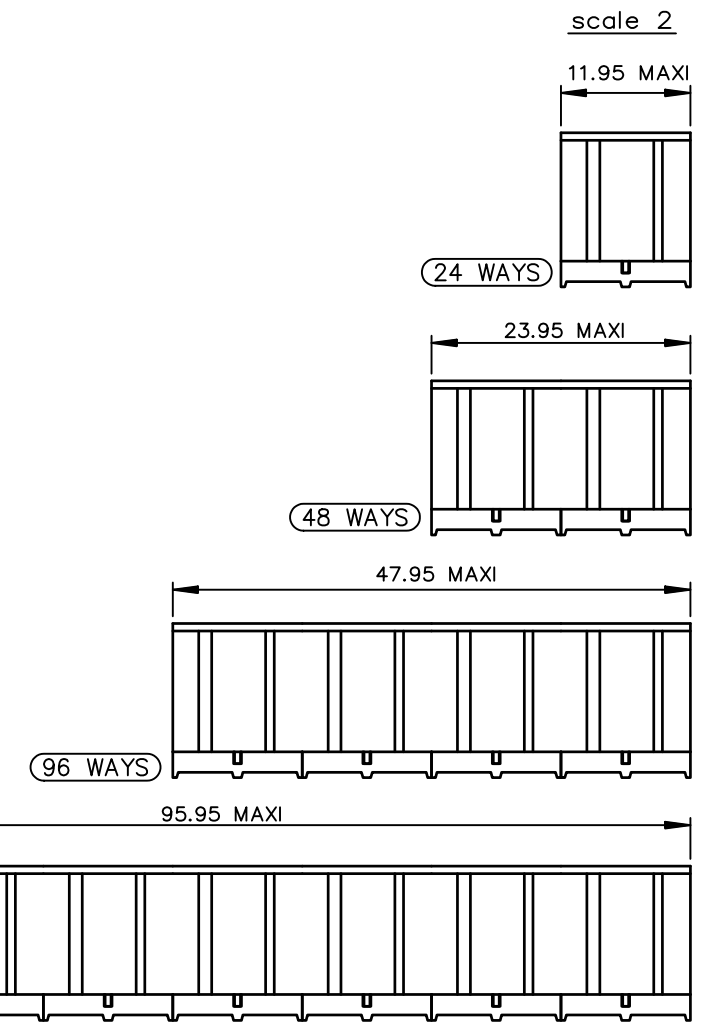
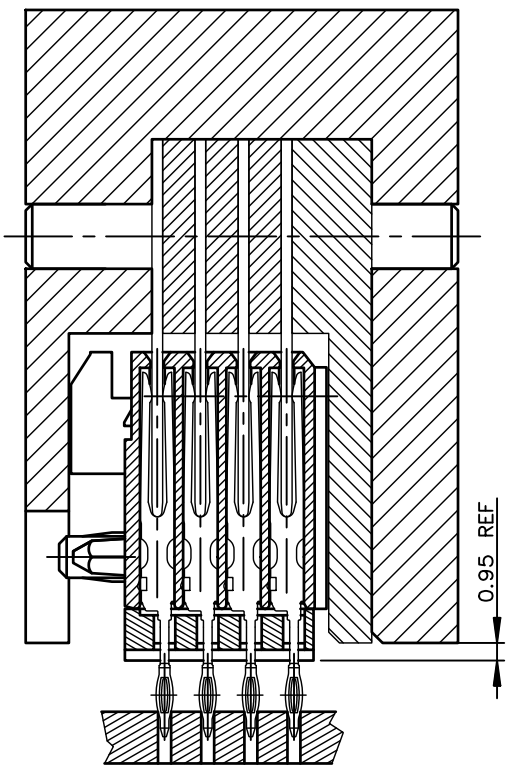
Amphenol
FCi

© 2016 AFCI

© 2016 AFCI



INSERTION TOOLING PROCESS



NOTES:

- MATERIAL : BODY : LCP UL94-V0
: CONTACT : COPPER ALLOY.
 - FOR PLATING PERFORMANCE REFER DRAWING # 101594.09
 - COMPATIBLE WITH NARROW AND WIDE BODY
 - PCB FINISH HOLE DIAMETER SEE GS-12-447
 - THIS PRODUCT MEETS EUROPEAN UNION DIRECTIVES AND OTHER COUNTRY REGULATIONS AS DESCRIBED IN GS-47-0004
 - STANDARD PACKAGING IS IN TUBE ,BUT IF SUFFIX "P" IS ADDED IN P/N ,PACKAGING IS IN TRAYS ,BUT CONNECTOR MARKING IS WITHOUT "P"
Example: HM1FxxxxxxxxHYPLF, marking: HM1FxxxxxxxxHYLF
10. SYMBOL WILL BE NEXT TO ANY DIMENSION, VIEW, OR NOTE WHICH HAS BEEN MODIFIED WITH THE CURRENT DRAWING REVISION.

PART NUMBER

Part Number: HM1S4xFER000HYLF

PIN COUNT	024 WAYS—REPLACE x BY 1	096 WAYS—REPLACE x BY 3
RANGE	048 WAYS—REPLACE x BY 2	192 WAYS—REPLACE x BY 4

GENERAL CHARACTERISTICS AND ROHS INFORMATIONS:

SEE GS-12-447

mat'l. code		surface finish		tolerance		projection		product family	
		ISO 1302		ISO 406 ISO 1101				METRAL	
ltr		ecn no		dr		date		title	
J		LS06-0159		MLE		2006-10-23		METRAL FEM. 4 ROW STRAIGHT PRESS FIT PCB THICKNESS 2.4 mm MINIMUM	
K		LS07-0266		MLE		2007-11-06			
L		ELX-I-38656		MINI		2020-10-15			
		dr		CHAMPION		1992-10-07		dwg no	
		enr		ARUN		2020-10-15		sheet 1 of 1 size	
		chr		ALEX BABU		2020-10-15		C-8626-0082 A3	
		appd		SAN0J		2020-10-15		type Product Customer Drawing	
sheet index		revision sheet		L		1			