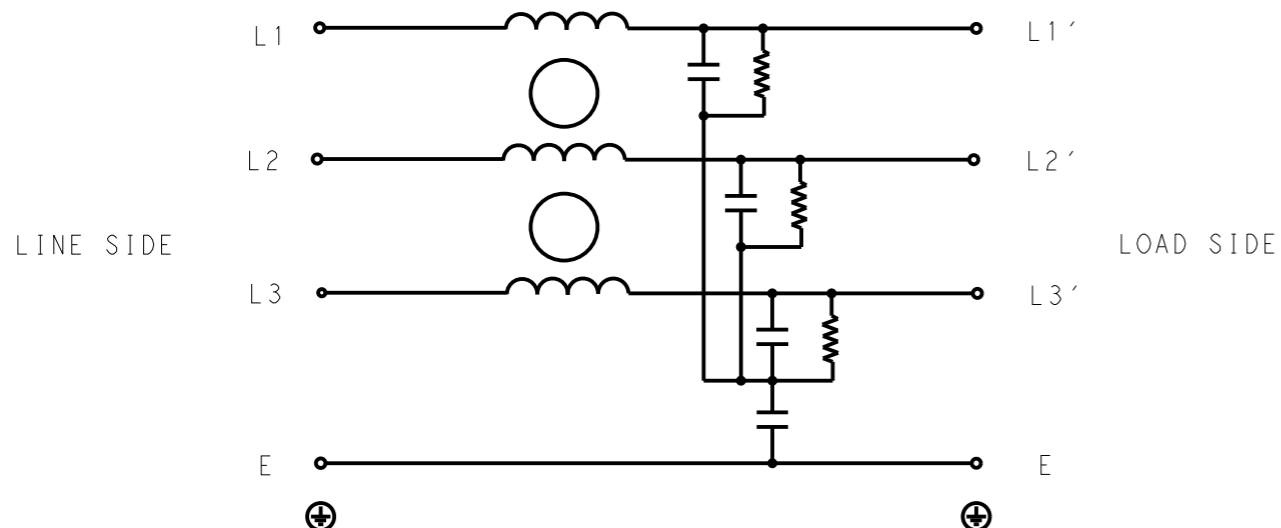


P	LTR	DESCRIPTION	DATE	DWN	APVD
	A	INITIAL RELEASE	05APR2021	SR	CB



SCHEMATIC

TYPICAL INSERTION LOSS
COMMON MODE 50/50Ω; DIFFERENTIAL MODE 50/50Ω

MHz	0.01	0.05	0.15	0.5	1	3	5	10	30
CM	2	2	5	15	22	36	53	39	28
DM	3	6	6	14	20	44	32	25	23

SAFETY ORGANIZATIONS

THIS FILTER WILL BE FORMALLY RECOGNIZED, CERTIFIED OR APPROVED BY THE LISTED AGENCY. THEREFORE, ALL TEST/REQUIREMENTS SPECIFIED IN THE LATEST REVISION OF THE FOLLOWING AGENCY STANDARDS WILL BE MET:

UL APPROVED 20A 520V 50Hz/60Hz 40°C
CSA PENDING 20A 520V 50Hz/60Hz 40°C

OPERATING SPECIFICATION

LINE CURRENT/VOLTAGE: 20A, 520VAC
LINE FREQUENCY: 50/60Hz

MAXIMUM LEAKAGE CURRENT: 3mA @ 230VAC, 50Hz

OPERATING AMBIENT TEMPERATURE RANGE @ RATED CURRENT: -25°C TO +40°C

IN AN AMBIENT, T_a, HIGHER THAN 40°C, THE MAXIMUM OPERATING CURRENT, I_o, IS AS FOLLOWS:

$$I_o = I_r \sqrt{\frac{85 - T_a}{45}}$$

RELIABILITY SPECIFICATIONS

STORAGE TEMPERATURE: -40°C TO +85°C
HUMIDITY: 21 DAYS @ 40°C AND 95% RH

TEST SPECIFICATIONS

INDUCTANCE, NOMINAL: 0.35mH

CAPACITANCE @ 1kHz
LINE TO GROUND, NOMINAL: 18nF
LINE TO LINE, NOMINAL: 50nF

DISCHARGE RESISTOR

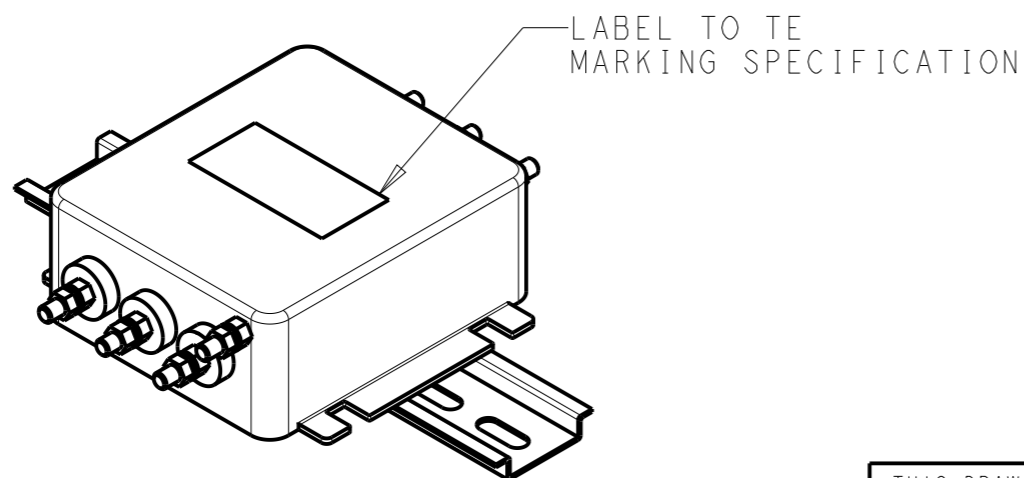
L/G I.R. 680KΩ 1W
L/L I.R. 2MΩ 1W
L/N I.R. XXX
N/G I.R. XXX
IR (NO DISCHARGE RESISTOR) 20°C, 50% RH AND 100VDC, MIN: 6MΩ

RECOMMENDED RECEIVING INSPECITON HIPOT

LINE TO GROUND FOR 1 MINUTE: 2856VDC
LINE TO LINE FOR 1 MINUTE: 2236VDC

FILTER APPROVAL

THE BEST WAY TO SELECT AND QUALIFY A FILTER IS FOR YOUR ENGINEERING TO TEST THE UNIT IN YOUR EQUIPMENT.



THIS DRAWING IS A CONTROLLED DOCUMENT.		DWN SUPREETH R 05APR2021		
DIMENSIONS: mm		CHK CHRIS BOLLE 05APR2021		
TOLERANCES UNLESS OTHERWISE SPECIFIED:		APVD CHRIS BOLLE 05APR2021	NAME POWER LINE FILTER FOR DIN 35 RAIL INSTALLATION 20KEBS6BFPDDM	
0 PLC ±-		PRODUCT SPEC -	SIZE A300779 CAGE CODE G-6-1609965-8	
1 PLC ±0.5		APPLICATION SPEC -	RESTRICTED TO	
2 PLC ±0.40		WEIGHT -	SCALE 1:2 SHEET 1 OF 2 REV A	
3 PLC ±0.130		CUSTOMER DRAWING		
4 PLC ±0.0500				
ANGLES ±-				
MATERIAL -				
FINISH -				

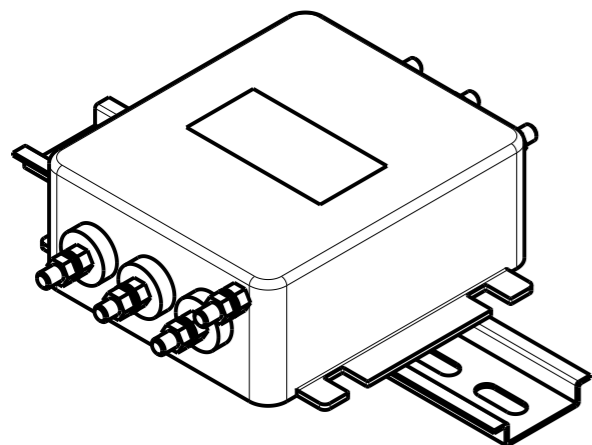
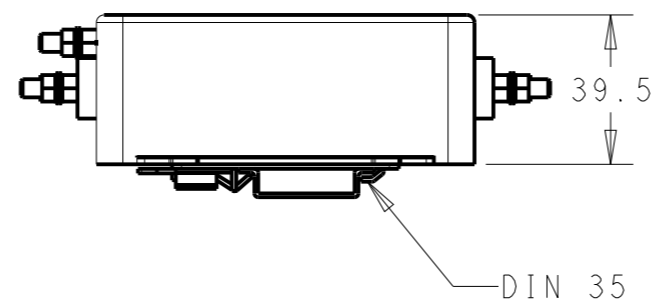
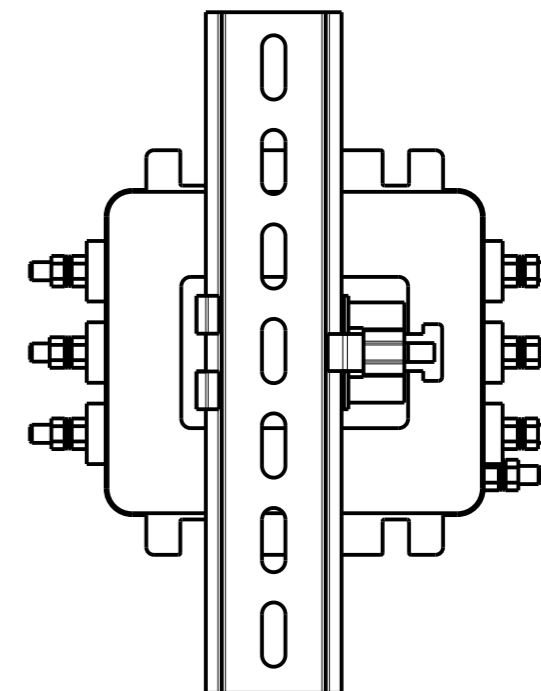
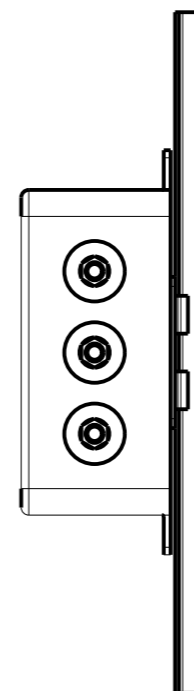
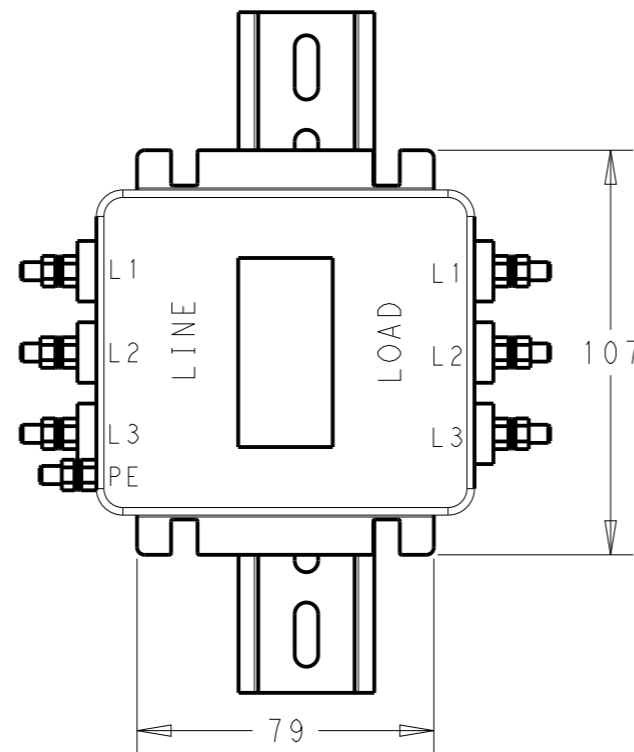
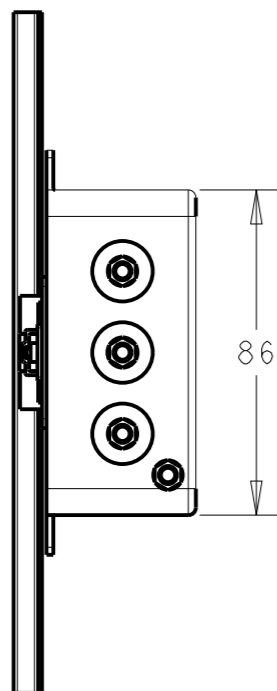
NOTE 1 GROUND CONNECTION:
DO NOT LOOSEN INNER GROUND NUTS.
TORQUE OUTER TERMINAL /GROUND NUTS: 2 Nm

NOTE 2 INPUT OUTPUT CONNECTION TERMINAL
AWG SIZE: XXX
THREADED BOLT SIZE FOR TERMINAL: M5
THREADED BOLT SIZE FOR GROUND: M5

NOTE 3 SUPPLIED WITH DIN RAIL BRACKET

NOTE 4 DRAWING SHOWS DIN RAIL FOR
REFERENCE ONLY.

P	LTR	DESCRIPTION	DATE	DWN	APVD
		SEE SHEET 1			



THIS DRAWING IS A CONTROLLED DOCUMENT.

DIMENSIONS:	TOLERANCES UNLESS OTHERWISE SPECIFIED:
mm	
	0 PLC ±-
	1 PLC ±0.5
	2 PLC ±0.40
	3 PLC ±0.130
	4 PLC ±0.0500
	ANGLES ±-
MATERIAL	FINISH
-	-
-	-

DWN	05APR2021
SUPREETH R	
CHK	05APR2021
CHRIS BOLLE	
APVD	05APR2021
CHRIS BOLLE	
PRODUCT SPEC	-
APPLICATION SPEC	-
WEIGHT	-
CUSTOMER DRAWING	

NAME POWER LINE FILTER FOR DIN 35 RAIL INSTALLATION 20KEBS6BFPDDM			
SIZE	CAGE CODE	DRAWING NO	RESTRICTED TO
A3	00779	C-6-1609965-8	
SCALE		SHEET	REV
1:2		2 OF 2	A