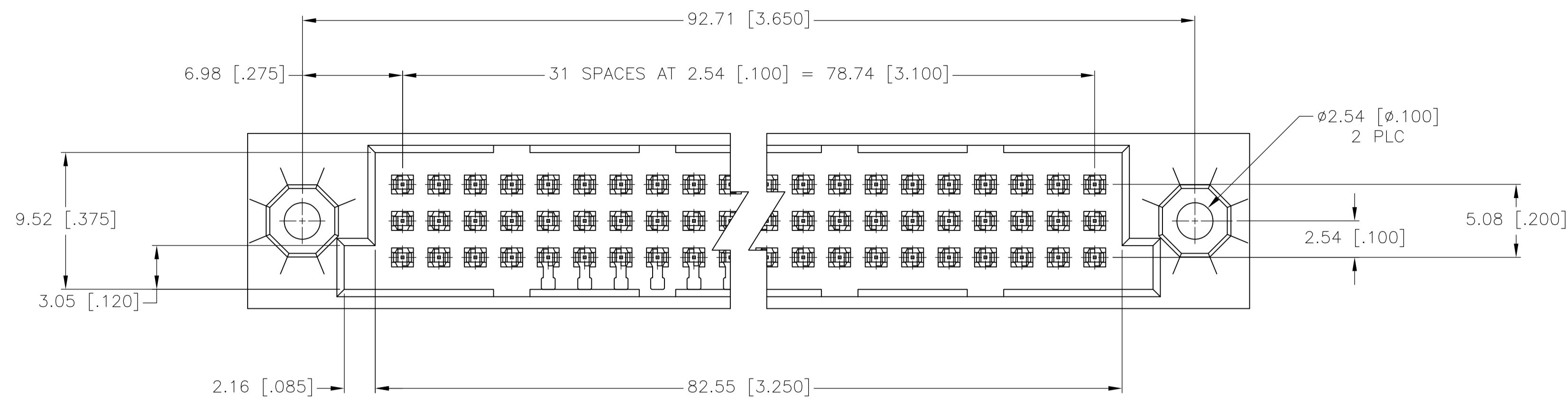
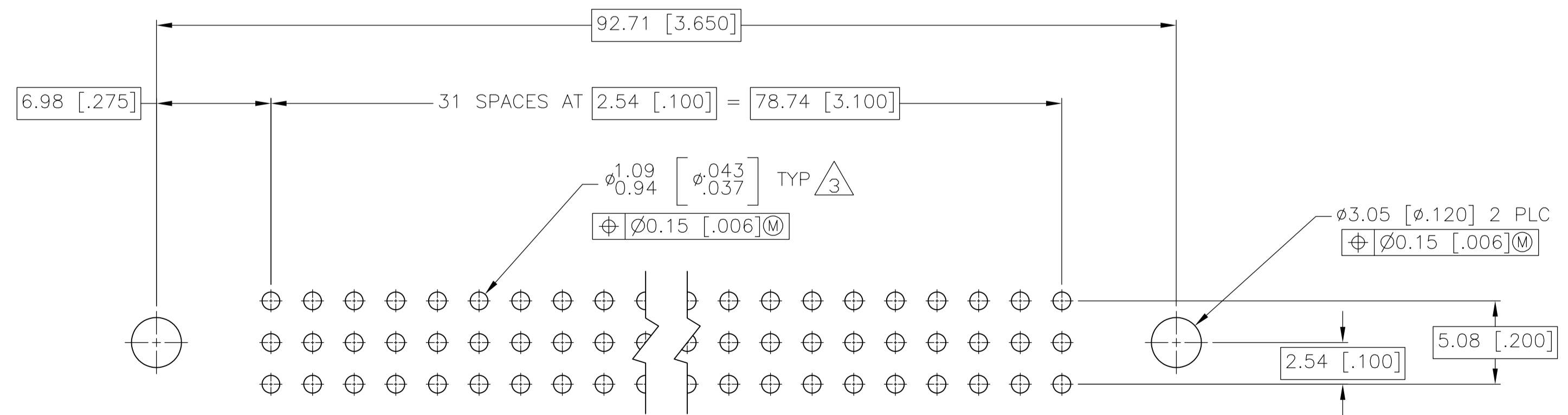
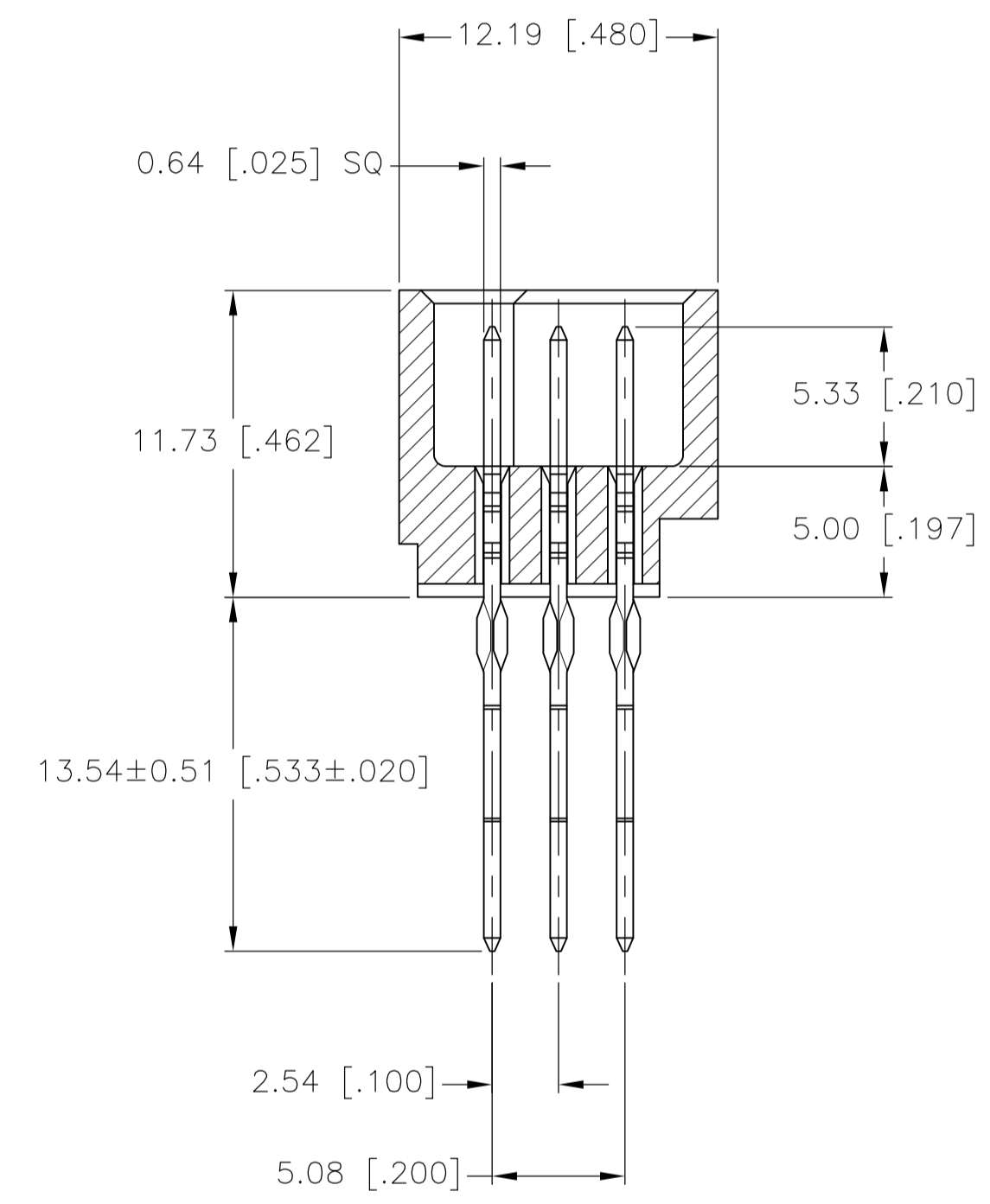
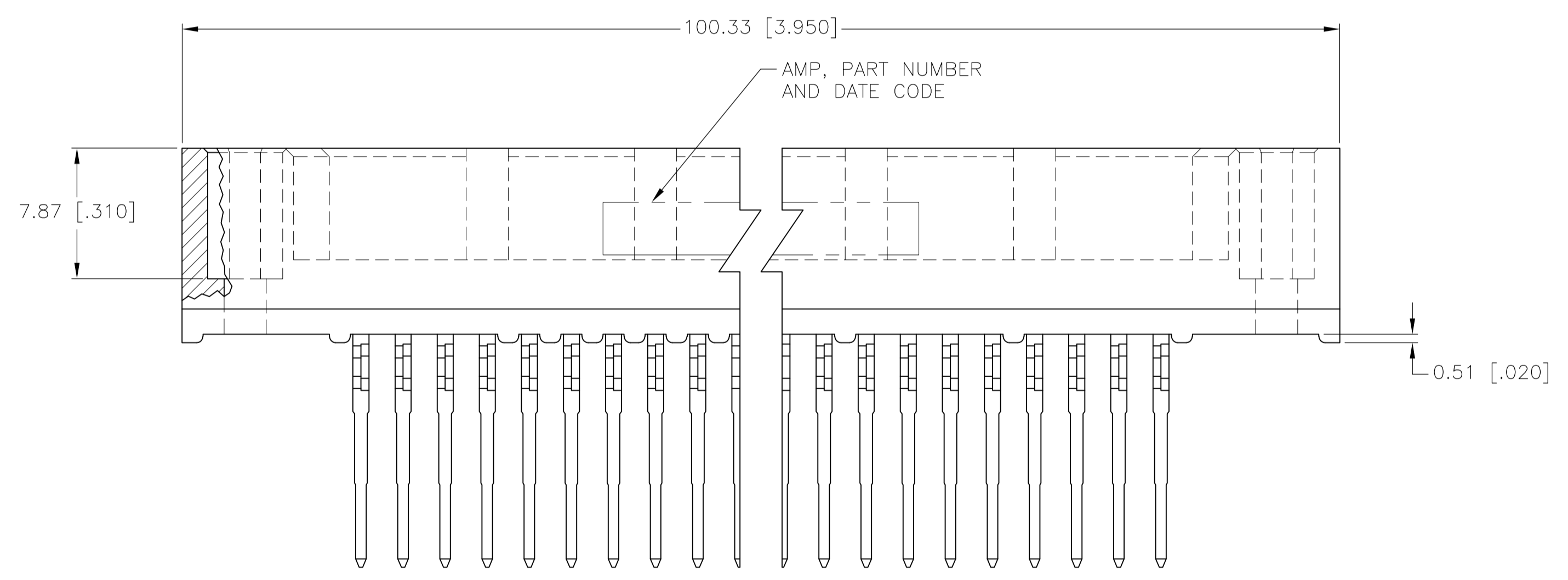


REVISIONS				
P	LTR	DESCRIPTION	DATE	APPD
A		RELEASED PER ECO-15-015252	13NOV15	BJ FY
A1		REVISED PER ECO-16-003656	10MAR16	B.J.S.Y



- 1 HOUSING: THERMOPLASTIC, BLACK.
CONTACT: PHOSPHOR BRONZE.
- 2 FINISH:
MATING AREA: MEETS THE PERFORMANCE REQUIREMENTS OF PRODUCT SPECIFICATION 108-9063; BASED ON TELCORDIA DR-1217-CORE APPLICATIONS IN UNCONTROLLED ENVIRONMENTS. GOLD FLASH ON REMAINDER WITH LUBRICANT TO COMPLY WITH BELLCORE.
- 3 ACTION PIN POSTS REQUIRE 2.36 [.093] MIN THICK PC BOARD. RECOMMENDED PC BOARD HOLES ARE $\phi 1.151 [\phi .0453]$ PLATED THRU WITH 0.025-0.076 [.001-.003] COPPER, WITH 7.62 μ m [.000300] MIN TIN-LEAD PLATING, FINISHED HOLE AFTER PLATING $\phi 0.94-1.09 [\phi .037-.043]$.



96	598028-1
NO OF POSN	PART NUMBER

THIS DRAWING IS A CONTROLLED DOCUMENT.

DIMENSIONS: mm [INCHES]	TOLERANCES UNLESS OTHERWISE SPECIFIED:	DIN B. CARDO 07JUN00	W. MILLHIMES 14JAN03	NAME	HDI, 3 ROW, PIN ASSEMBLY, 13.54 [.533] LONG ACTION PINS, ALL GOLD PLATED POSTS WITH LUBRICANT
0 PLC ± -	1 PLC ± -	2 PLC ± 0.13 [.005]	3 PLC ± -	4 PLC ± -	ANGLES ± -
MATERIAL	FINISH	SIZE	CAGE CODE	DRAWING NO	RESTRICTED TO
1	2	A1	00779	598028	-
CUSTOMER DRAWING		SCALE	4:1	SHEET	1 OF 1
		REV	A1		

STE TE Connectivity