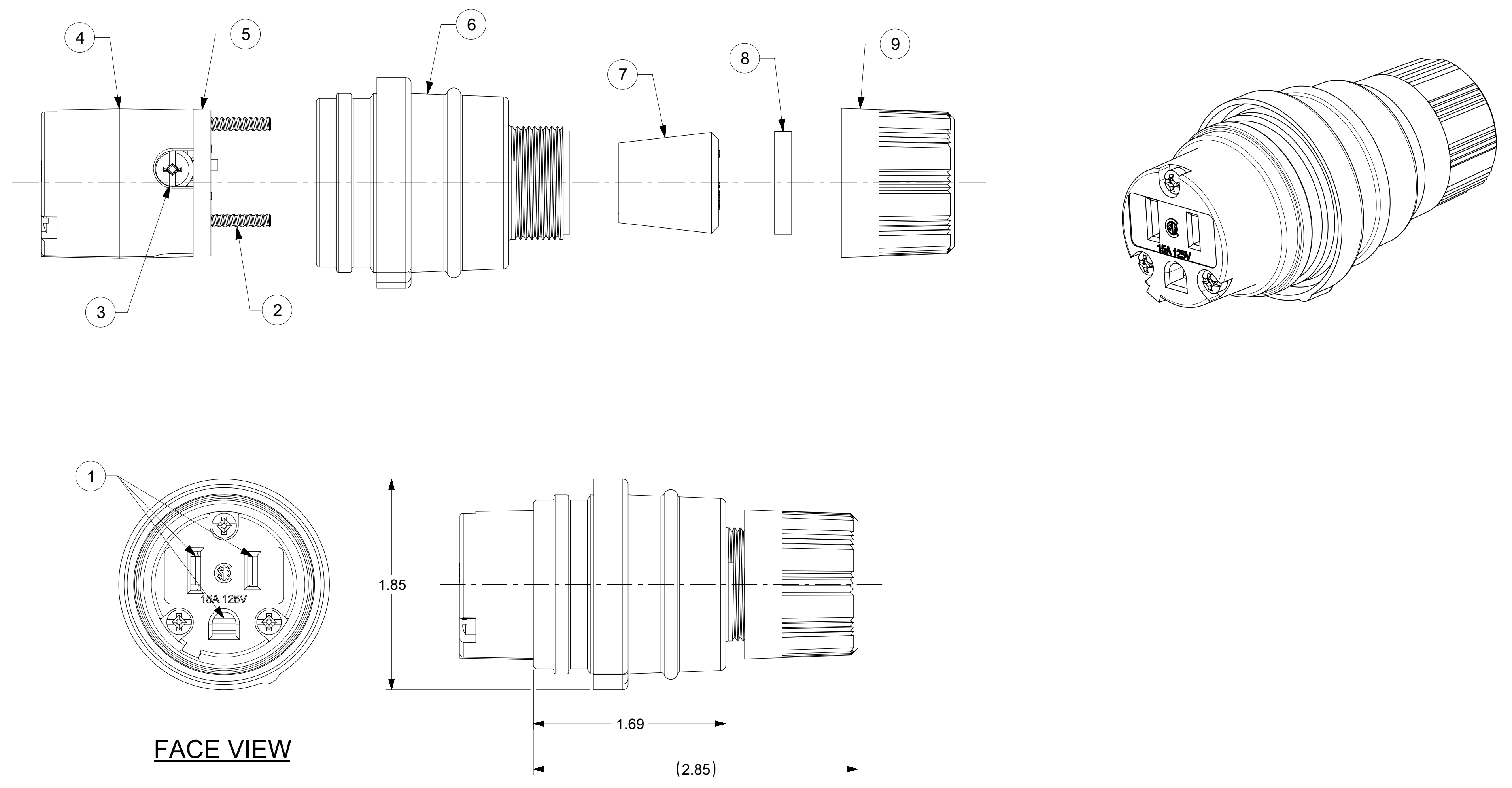


ORDER NO.	WOODHEAD NO.	COLOR
130146-0199	15W47MB-P	YELLOW



**FACE VIEW**

**NOTES:**  
 1. SEE INSTRUCTION SHEET NUMBER 1301414770 FOR PRODUCT SPECIFICATION.  
 2. CABLE RANGE FROM 0.375" TO 0.625"

ITEM NO.	DESCRIPTIONS	MATERIAL	QTY.
1	BLADES	BRASS	3
2	RETAINING SCREWS	STAINLESS STEEL	3
3	TERMINAL SCREWS	BRASS, ZINC PLATED	3
4	INSERT	NYLON	1
5	TERMINAL COVER	POLYCARBONATE	1
6	HOUSING	RUBBER WITH NYLON THREAD	1
7	GROMMETS	RUBBER	5
8	FRICTION RING	NYLON	1
9	COMPRESSION NUT	NYLON	1

SYMBOLS		THIS DRAWING CONTAINS INFORMATION THAT IS PROPRIETARY TO MOLEX ELECTRONIC TECHNOLOGIES, LLC AND SHOULD NOT BE USED WITHOUT WRITTEN PERMISSION		CURRENT REV DESC: RELEASED		<b>molex</b>	
▽ = 0	INCH	SCALE	NTS				
▽ = 0	GENERAL TOLERANCES (UNLESS SPECIFIED)				EC NO: 613681		WATERTITE CONNECTOR, 5-15R
▽ = 0	ANGULAR TOL ± 0.5°				DRWN: ABABU01 2018/11/13		
▽ = 0	4 PLACES ±				CHK'D: DNGUYEN62 2019/03/13		
▽ = 0	3 PLACES ± 0.005				APPR: HKNEELAND 2019/03/21		PRODUCT CUSTOMER DRAWING
▽ = 0	2 PLACES ± 0.01				INITIAL REVISION:		
▽ = 0	1 PLACE ± 0.02				DRWN: ABABU01 2018/11/13		DOCUMENT NUMBER
▽ = 0	0 PLACES ±				APPR: HKNEELAND 2019/03/21		1301460199
□ = 0	DRAFT WHERE APPLICABLE MUST REMAIN WITHIN DIMENSIONS		THIRD ANGLE PROJECTION		DRAWING SERIES		DOC TYPE DOC PART REVISION
▽ = 0			C-SIZE		130146		PSD 000 A
DOCUMENT STATUS		P1	RELEASE DATE	2019/03/21	12:40:26	MATERIAL NUMBER	CUSTOMER
						SEE TABLE	GENERAL MARKET
							SHEET NUMBER
							1 OF 1