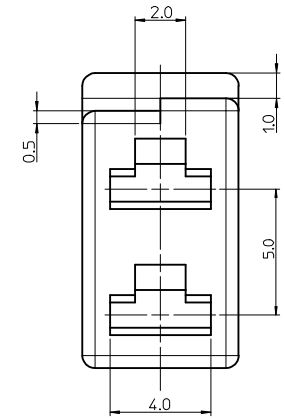
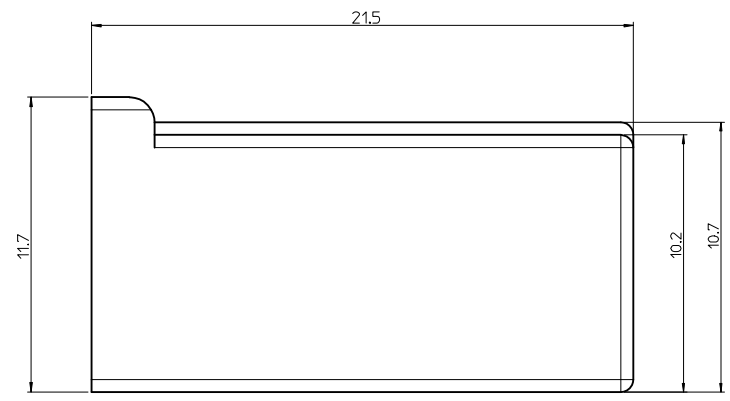
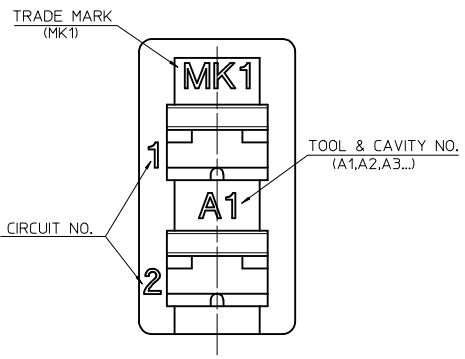
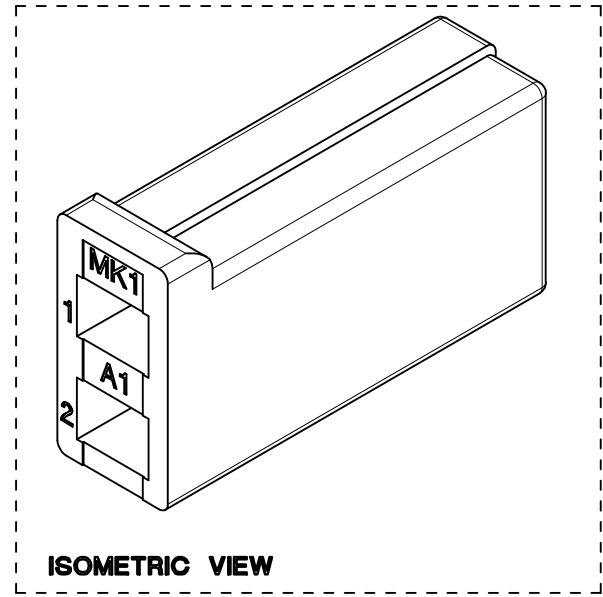
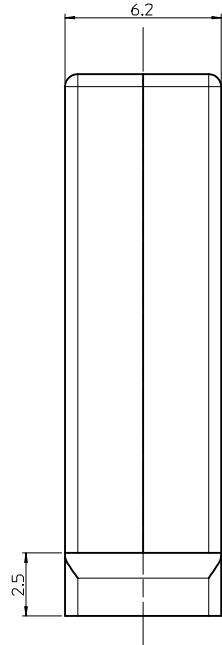


10 9 8 7 6 5 4 3 2 1



- NOTES.
1. MATERIALS: POLYAMIDE66 (PA66), UNFILLED, COLOR OF WHITE, UL94V-0
 2. PRODUCT SPECIFICATION: PS-36112-001
 3. PACKAGING SPECIFICATION: PK-35112-001
 4. APPLICABLE TERMINAL: 35711-06*0

REVISED EC NO: KOR2013-0085 DRWN:SKCHO 2013/04/15 CHKD:SHCHU 2013/04/15 APPR:YSK1M02 2013/04/25	QUALITY SYMBOLS ▽=0 ◻=0	GENERAL TOLERANCES (UNLESS SPECIFIED)		DIMENSION STYLE	SCALE	DESIGN UNITS	THIRD ANGLE PROJECTION		
		mm	INCH	MM ONLY	5:1	METRIC			
		4 PLACES	± ---	± ---	DRAWN BY	DATE	TITLE		
		3 PLACES	± ---	± ---	JS.KANG	1993/11/08	DOOR SWITCH CONN. -2P HOUSING		
A1	DESCRIPTION	2 PLACES	± 0.15	± ---	CHECKED BY	DATE	molex		
		1 PLACE	± 0.20	± ---	BK.CH01	1993/11/08			
		0 PLACE	± ---	± ---	APPROVED BY	DATE	SD-35112-001		
		ANGULAR ± 1 °		DRAFT WHERE APPLICABLE MUST REMAIN WITHIN DIMENSIONS		YSK1M02	2013/04/25	DOCUMENT NO.	
				MATERIAL NO.	351120210		1 OF 1		
				SIZE	THIS DRAWING CONTAINS INFORMATION THAT IS PROPRIETARY TO MOLEX INCORPORATED AND SHOULD NOT BE USED WITHOUT WRITTEN PERMISSION				
				A3					

9 8 7 6 5 4 3 2 1