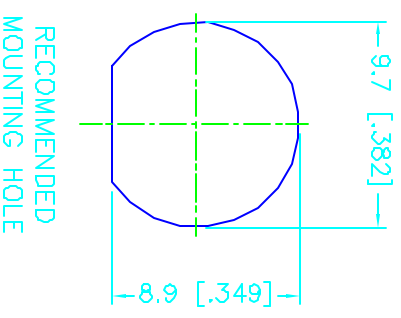
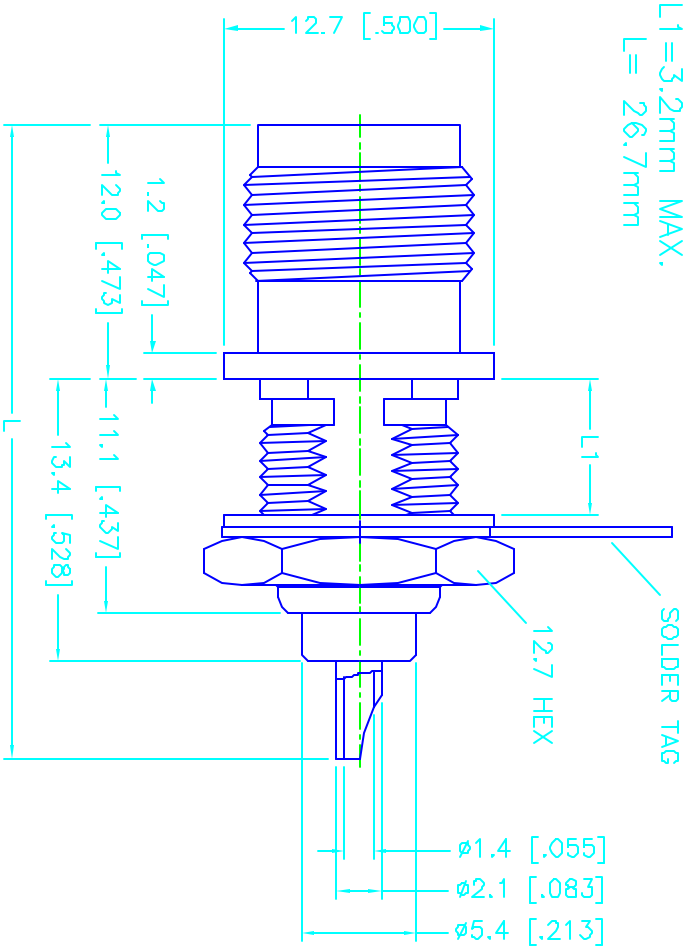



REV.	DATE	DESCRIPTION
NC	04/01/98	INITIAL RELEASE

DIMENSION NOTES:

L1 = 3.2mm MAX.  
L = 26.7mm



DESCRIPTION	MATERIAL	FINISH	UNLESS OTHERWISE SPECIFIED DIMENSIONS ARE IN MILLIMETERS	APPROVALS	DATE	TITLE			REV.	
1 BODY	BRASS	NICKEL	DIMENSIONS IN [ ] ARE IN INCHES FOR CUSTOMER REFERENCE ONLY  UNLESS OTHERWISE SPECIFIED TOLERANCES FOR MILLIMETERS ARE: 0.5-6 = ± 0.2 6-30 = ± 0.4 30-120 = ± 0.6 120-315 = ± 1 315-1000 = ± 1.6 1000-2000 = ± 2.4	DRAWN	G.R.S.	04/01/98	BULKHEAD RECEPTACLE JACK ( 75 ohm )			NC
2 INSULATOR	DELRIN	NATURAL		CHECKED	 Connector Corporation					
3 CONTACT PIN	PHOS. BRONZE	GOLD		ISSUED	SIZE FROM NO. 99001 DWG. NO. 122333					
4 FERRULE	COPPER	NICKEL			SCALE NA PART NO. 122333 SHEET 1 OF 1					
5 HEX NUT	BRASS	NICKEL			122333.DWG					
6										
7										
8				DO NOT SCALE DRAWING						