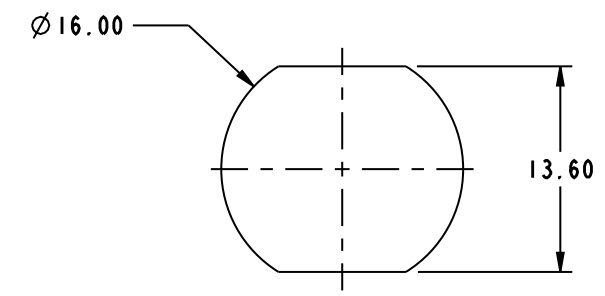


- NOTES:
- MATERIAL AND FINISH (PLATING THICKNESS IN MICRO-INCHES):  
 BODY - BRASS, NICKEL PLATING  
 CONTACT - BeCu, SILVER PLATING  
 INSULATOR - PTFE
  - ELECTRICAL:  
 A. IMPEDANCE: 50 OHM  
 B. FREQUENCY RANGE: DC - 6 GHz  
 C. VSWR(RETURN LOSS): -21dB TO 6 GHz MAX.  
 D. DIELECTRIC WITHSTANDING VOLTAGE: 2500 VRMS, MIN.
  - MECHANICAL:  
 A. DURABILITY: 500 CYCLES MIN.  
 B. TEMPERATURE RANGE: -65° C TO +165° C
  - PACKAGING:  
 A. QUANTITY: SINGLE PACK  
 B. MARKING: BAG TO BE MARKED  
 "AMPHENOL, 82-6446, AND DATE CODE"

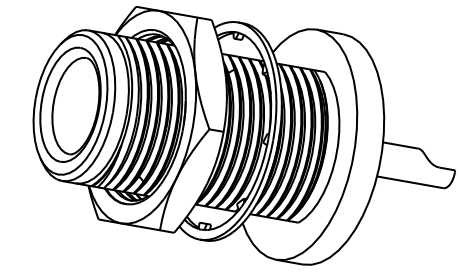
THIRD ANGLE PROJ.

REVISIONS

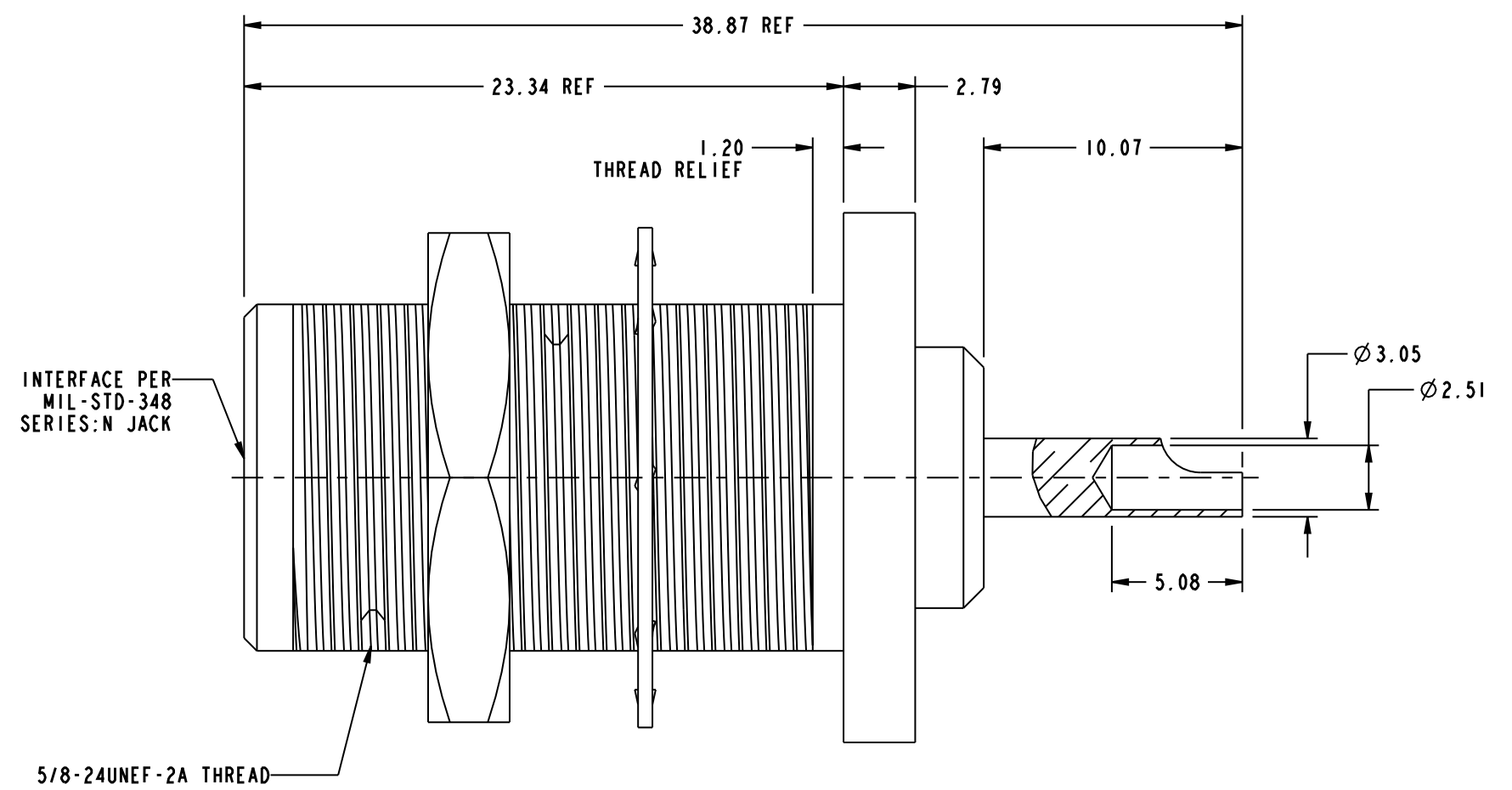
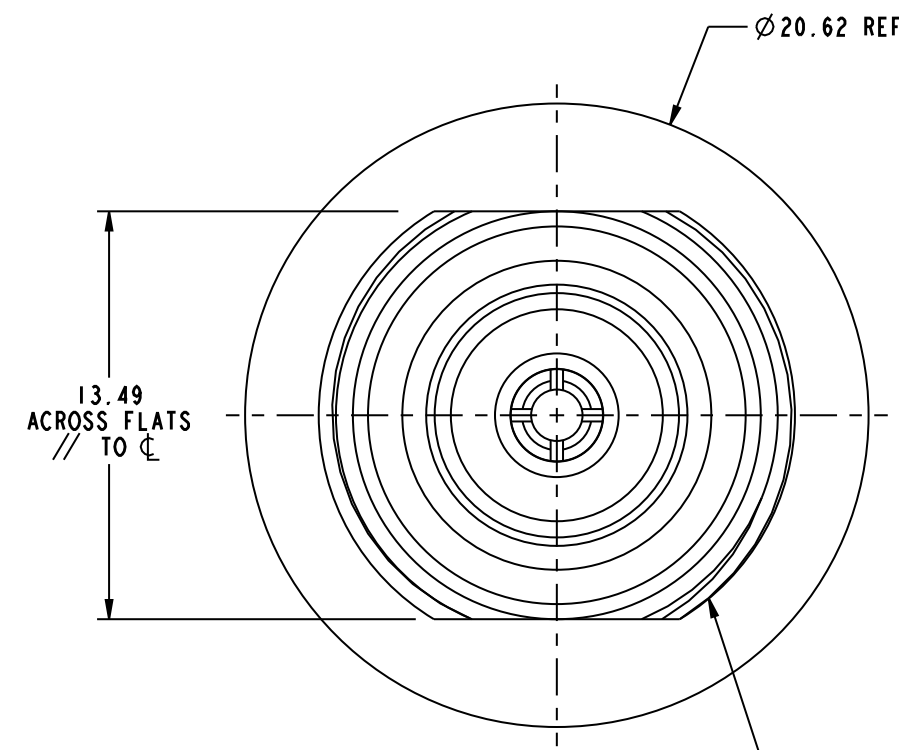
REV	DESCRIPTION	DATE	ECO	APPR
A	RELEASE TO MFG	07-Jul-09	47573	SH



**RECOMMENDED MOUNTING HOLE DIMENSIONS**



SCALE 1.500



INTERFACE PER MIL-STD-348 SERIES:N JACK

5/8-24UNEF-2A THREAD

HEX NUT & LOCK WASHER ARE NOT SHOWN.

**CUSTOMER OUTLINE DRAWING**  
 ALL OTHER SHEETS ARE FOR INTERNAL USE ONLY

<p>UNLESS OTHERWISE SPECIFIED, DIMENSIONS ARE IN METRIC AND TOLERANCES ARE:          &lt;0.5mm ±0.05mm    0.5 - 6mm ±0.1mm    6 - 30mm ±0.2mm    30 - 120mm ±0.3mm    ANGLES ±1°</p> <p>NOTICE - These drawings, specifications, or other data (1) are, and remain the property of Amphenol corp. (2) must be returned upon request; and (3) are confidential and not to be disclosed to any person other than those to whom they are given by Amphenol Corp. The furnishing of these drawings, specifications, or other data by Amphenol Corp., or to any other person to anyone for any purpose is not to be regarded by implication or otherwise in any manner licensing, granting rights to permitting such holder or any other person to manufacture, use or sell any product, process or design, patented or otherwise, that may in any way be related to or disclosed by said drawings, specifications, or other data.</p>	MATERIAL	DRAWN K.LI	DATE 01-Jul-09	TITLE ASSEMBLY N, JACK, BHD RECEPTACLE	Amphenol RF Danbury CT USA, Tainan, Taiwan, Shenzhen, China www.amphenolrf.com
	REFERENCE EAR # 3315 AND	ENGINEER BALAJI M	DATE 24-Dec-08		
	CONFIGURATION LEVEL: Released	APPROVED K.CAPOZZI	DATE 5/12/09	SCALE: 4.0:1.0 SHEET 2 OF 2	ITEM NO.82-6446
	FINISH	Root Folder/N/82-6446	DWG SIZE B	REV A	PART NO.82-6446