

10 9 8 7 6 5 4 3 2 1

F

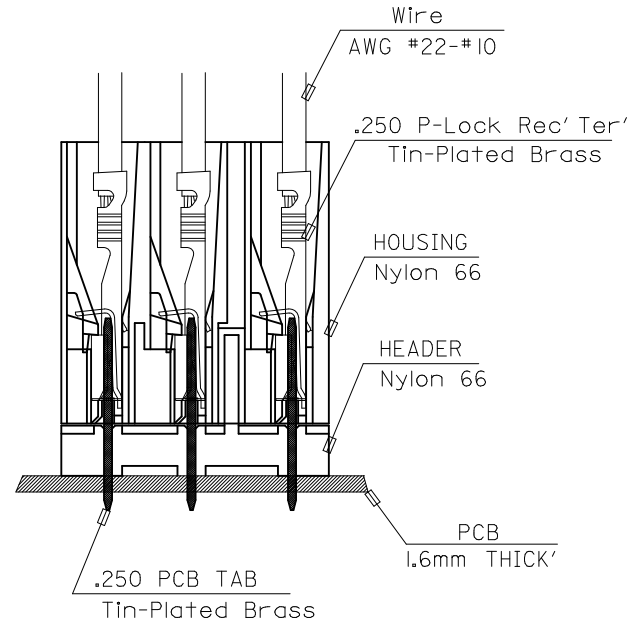
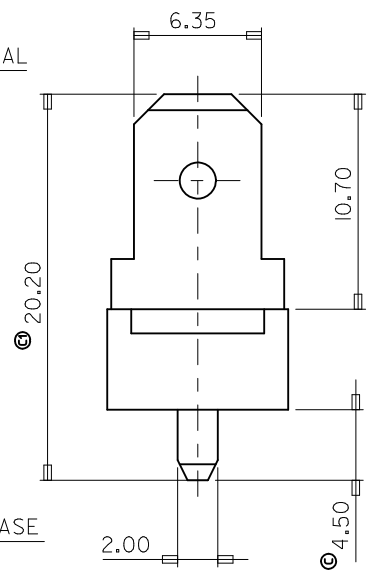
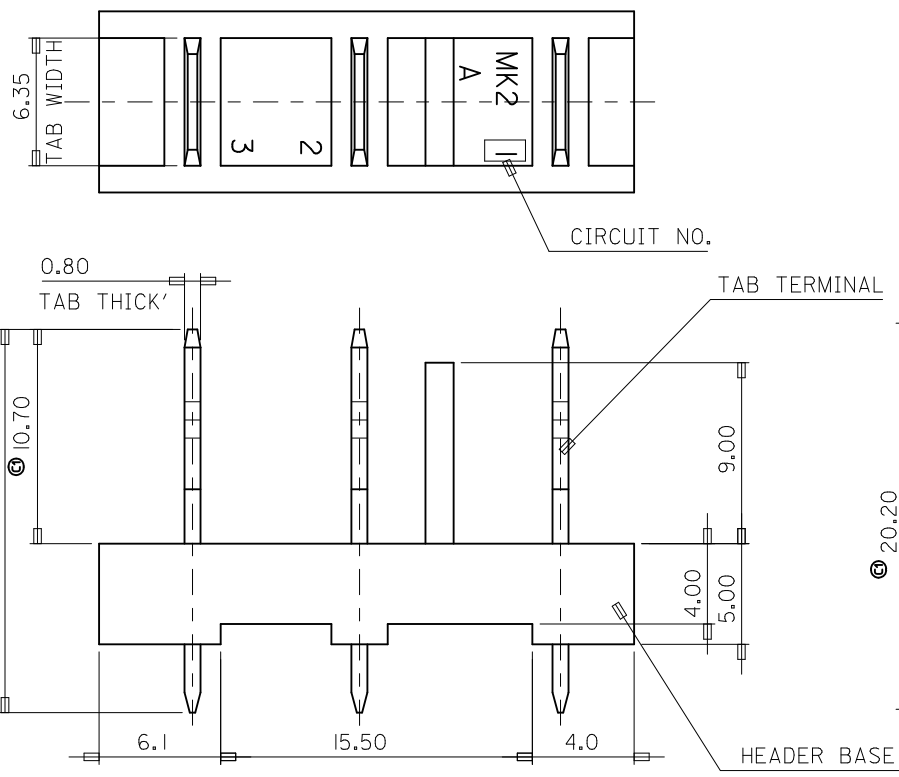
E

D

C

B

A

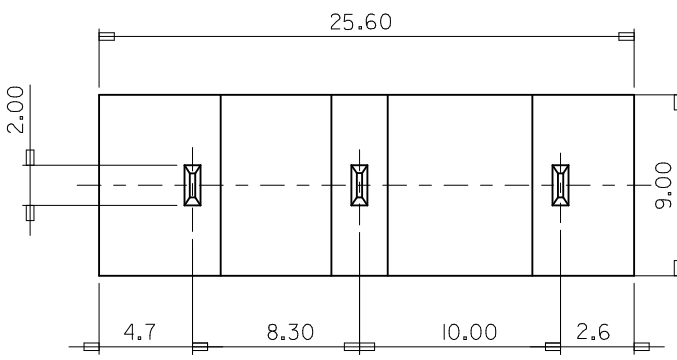


**ASS'Y PART**

**NOTES**

- 1. MATERIAL : HEADER BASE: NYLON66 UL94V-2  
TAB TERMINAL : TIN PLATED BRASS
- 2. MATES WITH : 35959-0300

MATERIAL NO.	ENG NO.	COLOR
359600300	35960-0300	NATURAL
359600302	35960-0302	RED



REVISED	EC NO: KOR2012-0021	DESCRIPTION
	DRWN: JHPARK01 2011/09/15	
	CHKD:	
	APPR: YUNSIKKIM 2011/09/16	
C1	REV	

QUALITY SYMBOLS	▽=0	
	∇=0	
	GENERAL TOLERANCES (UNLESS SPECIFIED)	
	4 PLACES	± --- ± ---
	3 PLACES	± --- ± ---
	2 PLACES	± 0.3 ± ---
	1 PLACE	± 0.3 ± ---
	ANGULAR ± 1 °	
DRAFT WHERE APPLICABLE MUST REMAIN WITHIN DIMENSIONS		

DIMENSION STYLE		SCALE	DESIGN UNITS	THIRD ANGLE PROJECTION
MM ONLY		4:1	METRIC	
DRAWN BY	DATE	TITLE		
WY.YANG	1998/04/10	.250 W/B HEADER-3P		
CHECKED BY	DATE			
BK.CHOI	1998/04/10			
APPROVED BY	DATE			
CW.LEE	1998/04/10			
MATERIAL NO.		DOCUMENT NO.		SHEET NO.
SEE TABLE		SD-35960-001		1 OF 01

DRAWN BY		DATE	TITLE	
WY.YANG		1998/04/10	.250 W/B HEADER-3P	
CHECKED BY		DATE		
BK.CHOI		1998/04/10		
APPROVED BY		DATE		
CW.LEE		1998/04/10		
MATERIAL NO.		DOCUMENT NO.		SHEET NO.
SEE TABLE		SD-35960-001		1 OF 01

9 8 7 6 5 4 3 2 1