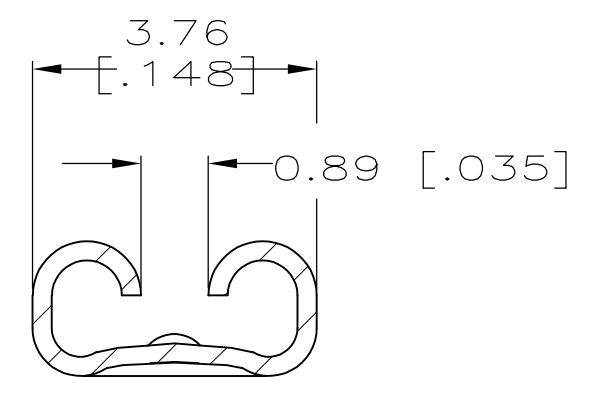
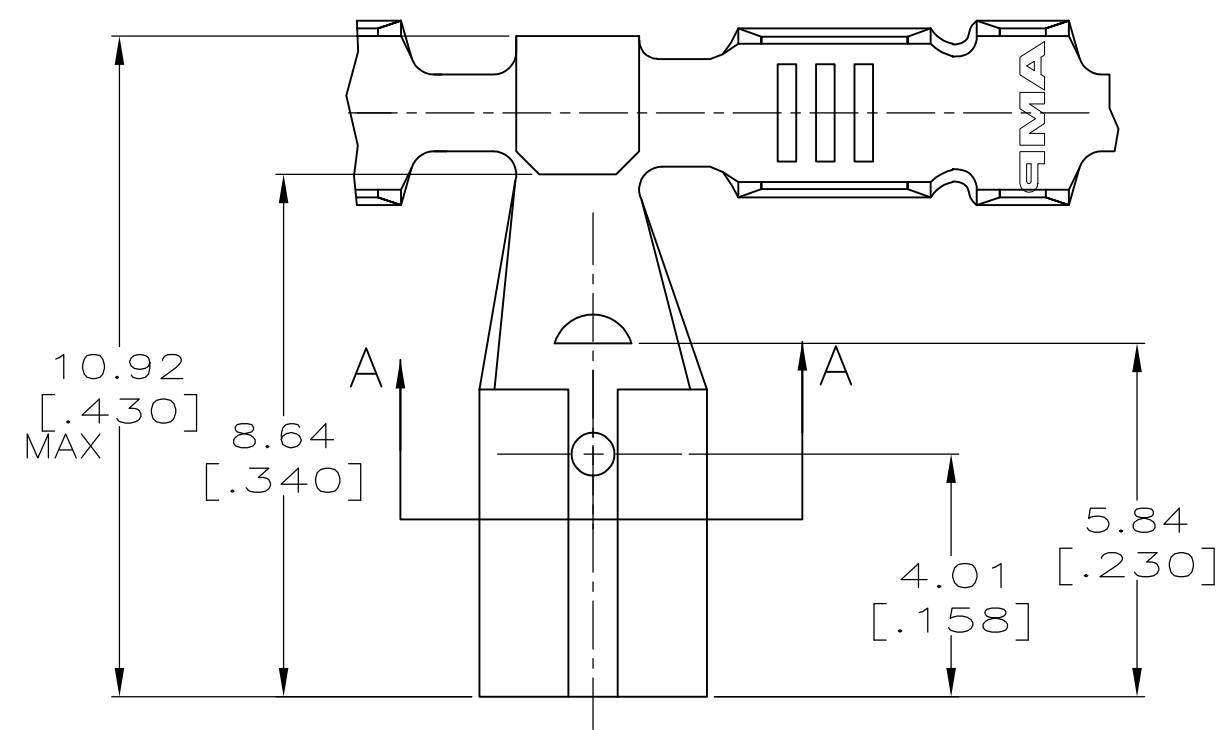


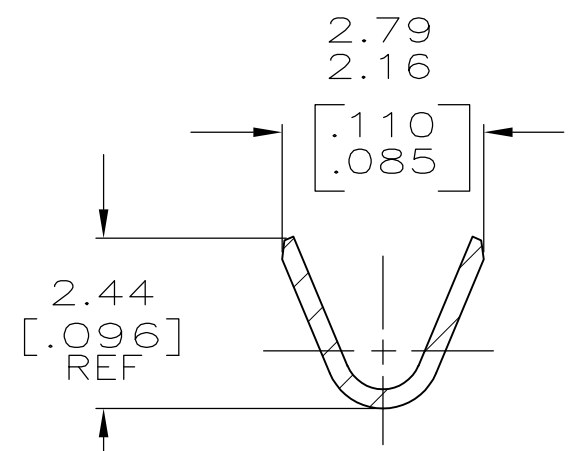
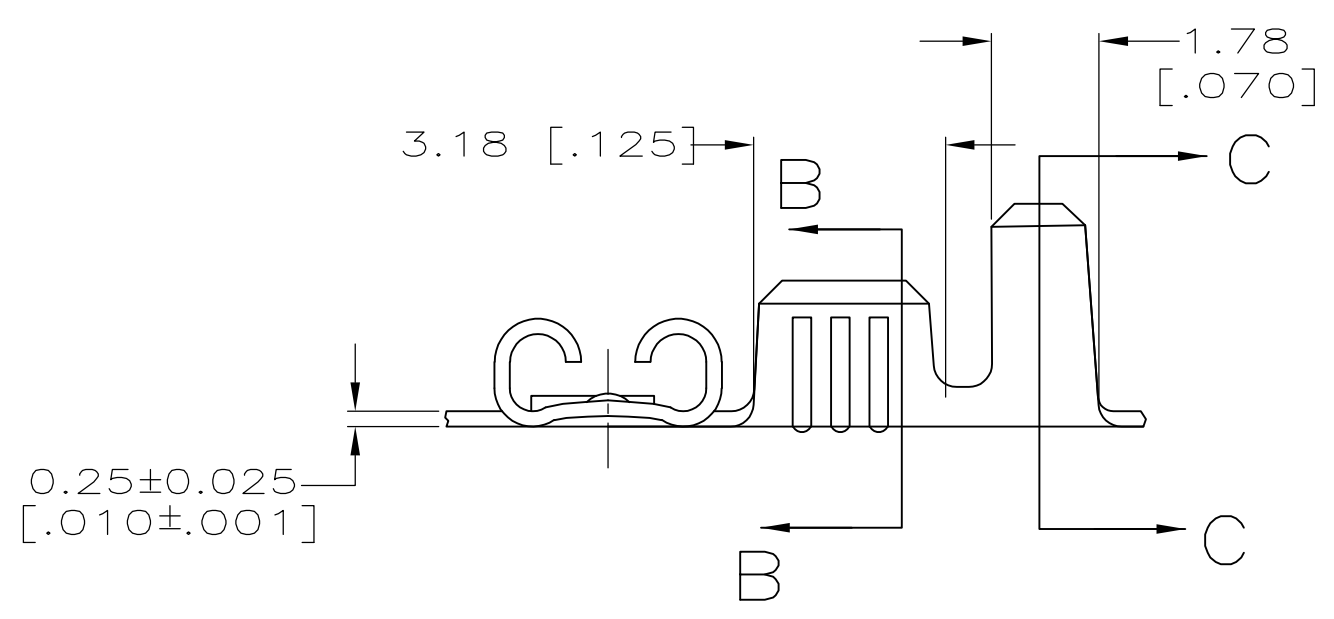
THIS DRAWING IS UNPUBLISHED. RELEASED FOR PUBLICATION
 © COPYRIGHT - By - ALL RIGHTS RESERVED.

LOC	DIST	REVISIONS			
P	LTR	DESCRIPTION	DATE	DWN	APVD
AF	50	B	REVISED PER ECR-12-013518	19DEC12	KH PD

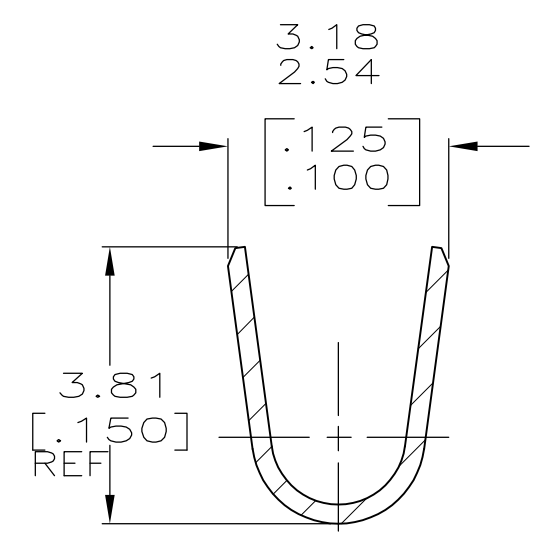


SECTION A-A
SCALE 10:1

- 1 CONTINUOUS STRIP ON REELS
- 2 MATING TAB THK TO BE 0.635 ± 0.025 $[\.025 \pm .001]$
- 3 WIRE SIZE IS [#22-#18] AWG.
- 4 INSULATION RANGE IS 1.52-2.54 $[\.060-.100]$ DIA.



SECTION B-B
SCALE 10:1



SECTION C-C
SCALE 10:1

1217138-1
PART NO.

THIS DRAWING IS A CONTROLLED DOCUMENT.		DWN	JR RUTH	3FEB99	TE Connectivity NAME RECEPTACLE, FASTON, FLAG, 2.79 [.110] SERIES			RESTRICTED TO				
DIMENSIONS: mm [INCHES]		CHK	MS FEHER	3FEB99				SIZE	CAGE CODE	DRAWING NO	A300779	C-1217138
TOLERANCES UNLESS OTHERWISE SPECIFIED:		APVD	S HEADER	3FEB99				SCALE 8:1				
0 PLC ± - 1 PLC ± - 2 PLC ± - 3 PLC ± 0.25 [.010] 4 PLC ± - ANGLES ± -		PRODUCT SPEC	-					CUSTOMER DRAWING				
MATERIAL BRASS		FINISH	PRE-TIN		WEIGHT		-					