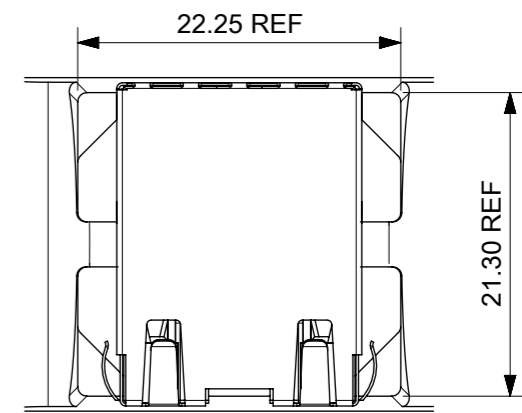
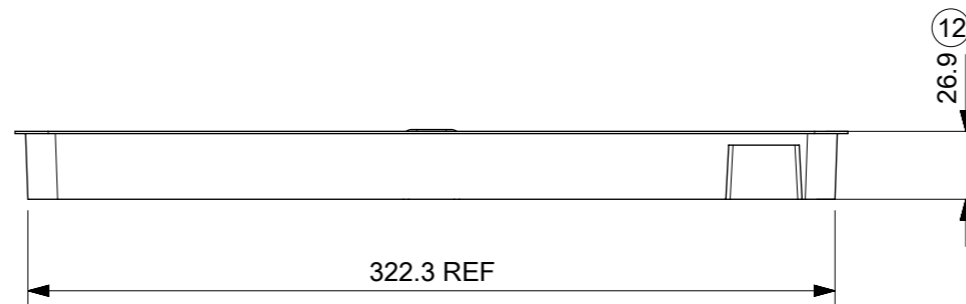
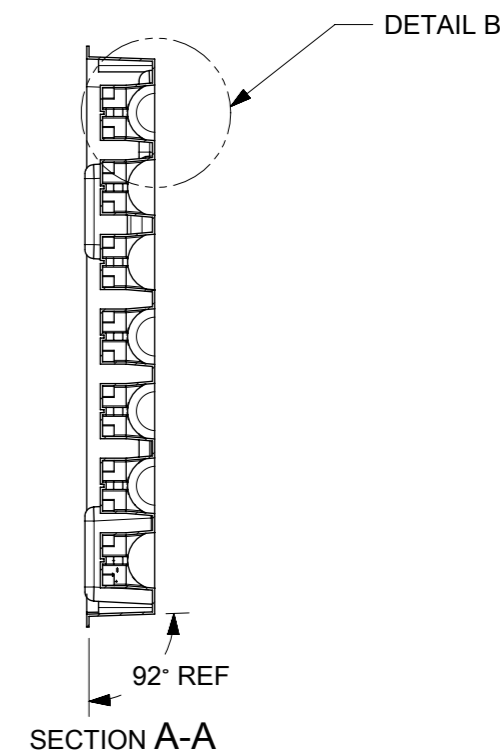
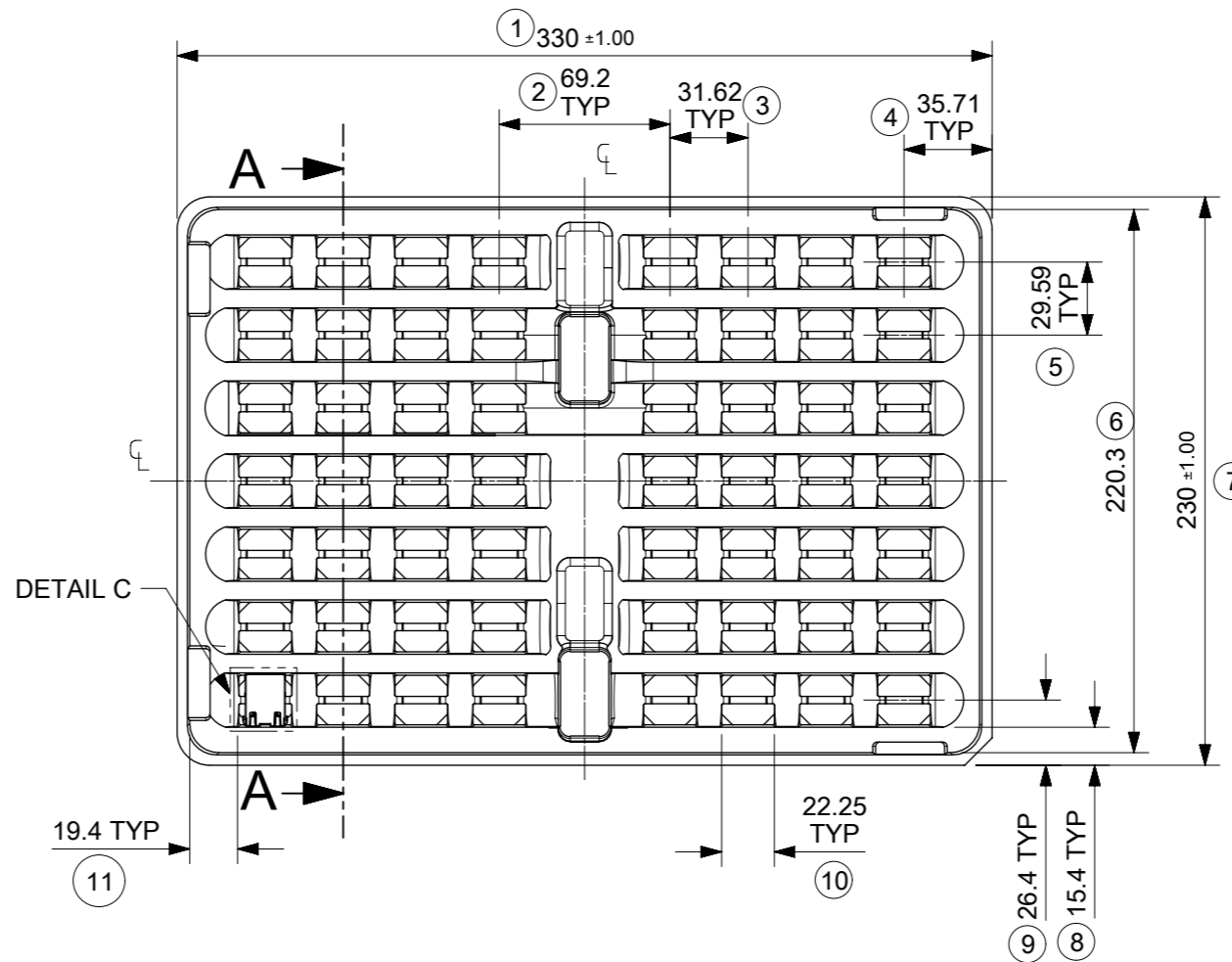


DETAIL B



DETAIL C
SCALE 2:1

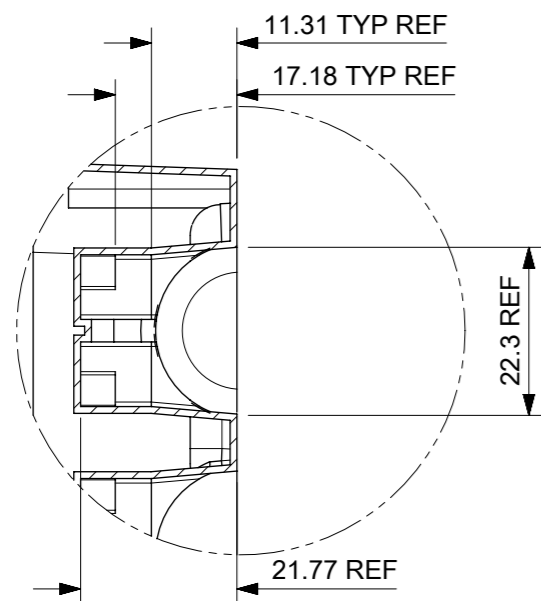


NOTES:

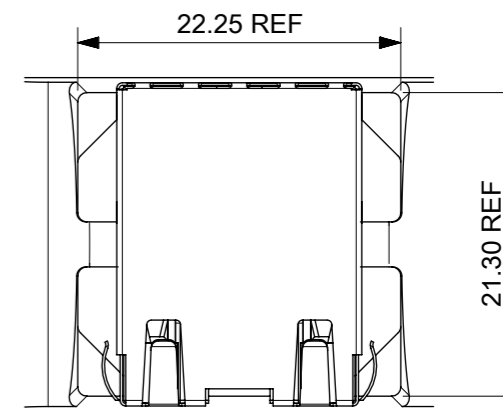
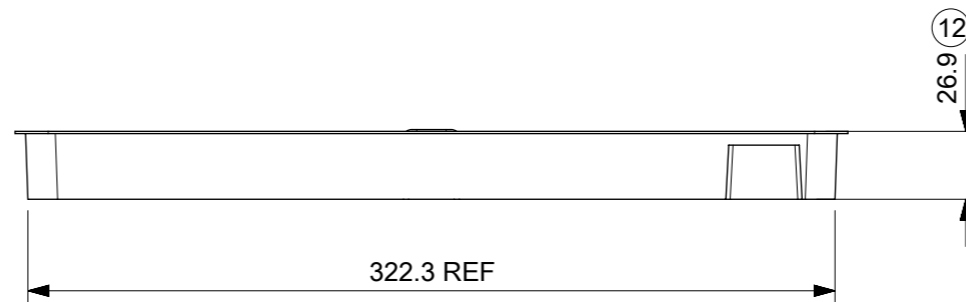
1. MATERIAL: PETA ANTISTATIC
2. THICKNESS: 0.9 mm ± 0.05 mm
3. COLOUR: CLEAR
4. BOW 2 mm MAXIMUM PER 330 mm
5. TWIST 2 mm MAXIMUM PER 330 mm
6. TRAY PART NO. AND RECYCLE LOGO TO BE CLEARLY MARKED ON TRAY
RECYCLE LOGO SHOULD BE APPROPRIATE TO MATERIAL USED
7. WHERE RELEVANT, DIMENSIONS SHOULD BE SYMMETRICAL ABOUT THE CENTRELINE
8. GENERAL PROFILE TOLERANCE $\overline{\cup}$ 0.40 ON NON DIMENSIONED FEATURES

LAST INSPECTION NUMBER USED: 12

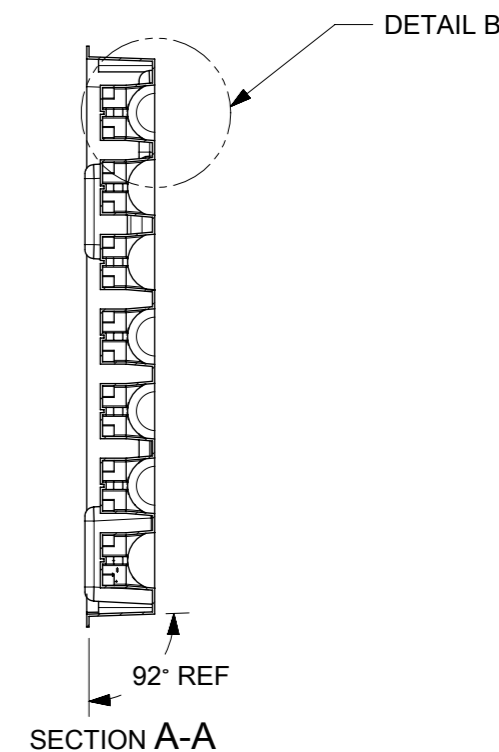
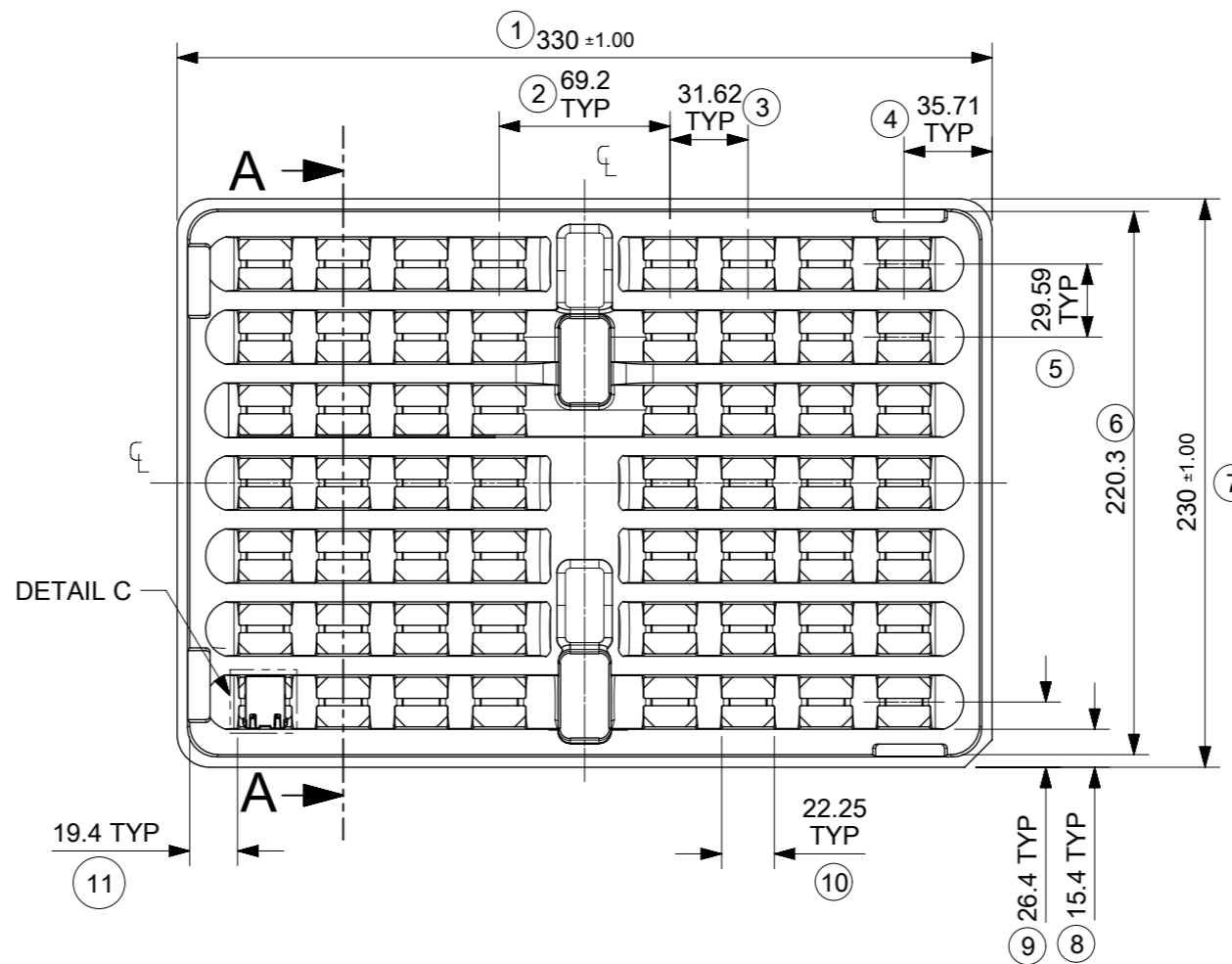
THIS DRAWING CONTAINS INFORMATION THAT IS PROPRIETARY TO MOLEX ELECTRONIC TECHNOLOGIES, LLC AND SHOULD NOT BE USED WITHOUT WRITTEN PERMISSION									
DIMENSION UNITS		SCALE		CURRENT REV DESC: REMOVED REFERENCE TO QUANTITY OF TRAYS PER STACK				molex	
mm		1:3							
GENERAL TOLERANCES (UNLESS SPECIFIED)				MXMAG STANDARD AND INVERTED TRAY					
ANGULAR TOL ± 1.0°				EC NO: 602124		2018/09/07		PRODUCT CUSTOMER DRAWING	
4 PLACES ±				DRWN: DSHEA		2019/01/25		DOCUMENT NUMBER	
3 PLACES ±				CHK'D: DBYRNES		2019/01/25		934620003	
2 PLACES ± 0.2				APPR: DBYRNES		2019/01/25		DOC TYPE	
1 PLACE ± 0.5				INITIAL REVISION:				DOC PART	
0 PLACES ±				DRWN: KREILLY		2016/05/06		REVISION	
DRAFT WHERE APPLICABLE MUST REMAIN WITHIN DIMENSIONS				APPR: STGRIFFIN		2016/12/07		B	
THIRD ANGLE PROJECTION		DRAWING		SERIES		MATERIAL NUMBER		CUSTOMER	
		A3-SIZE		93462		990250150		GENERAL MARKET	
								SHEET NUMBER	
								1 OF 1	



DETAIL B



DETAIL C
SCALE 2:1



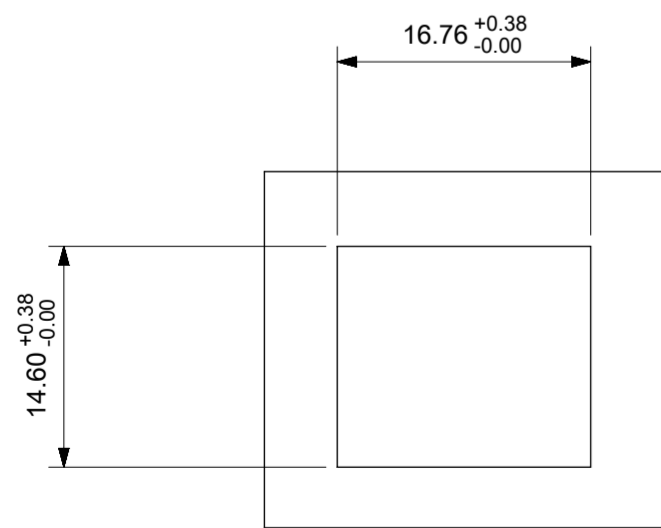
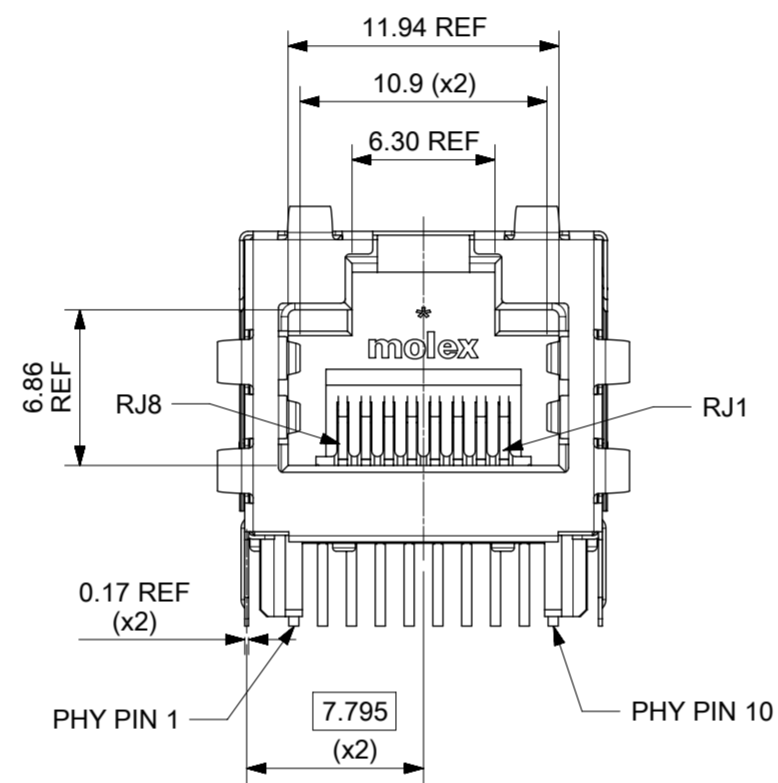
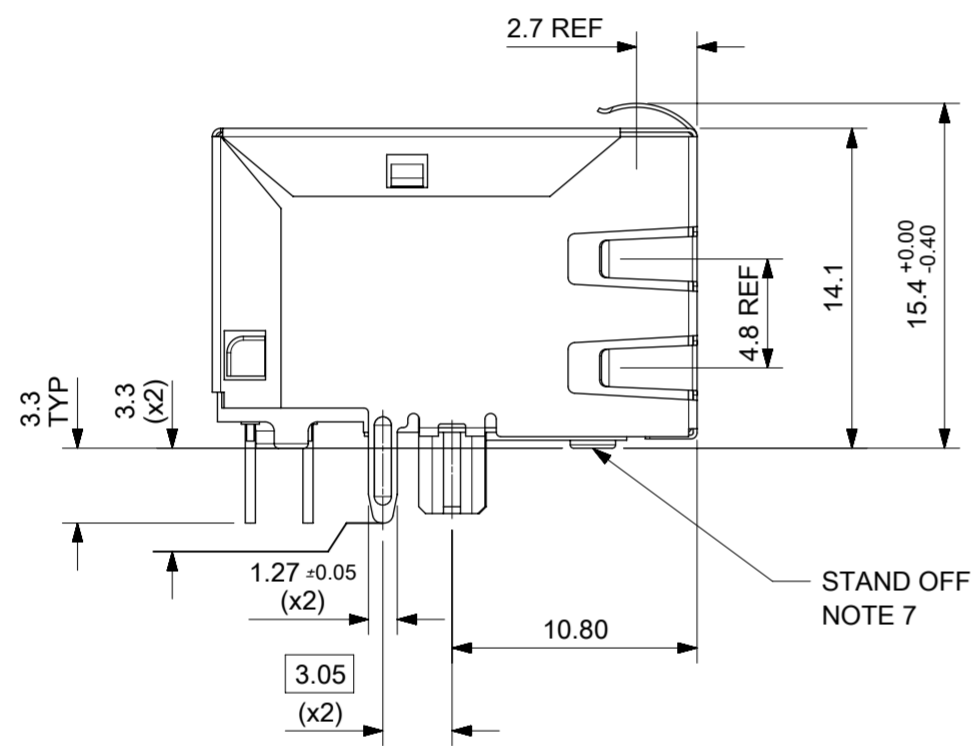
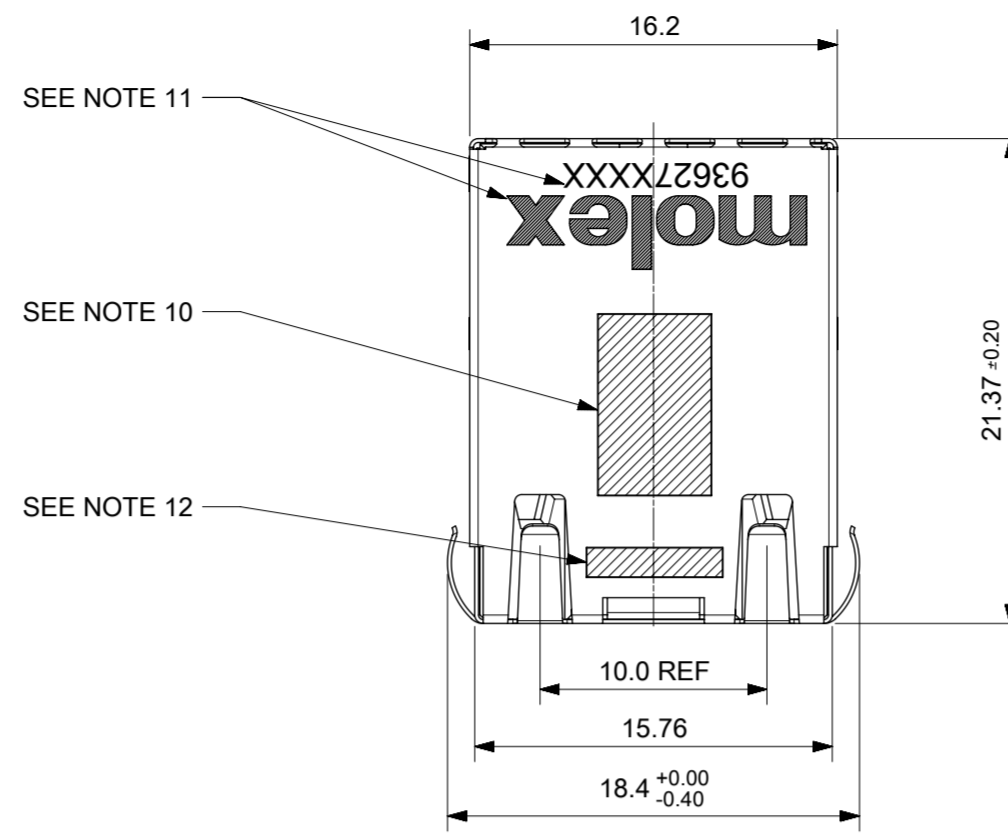
NOTES:

1. MATERIAL: PETA ANTISTATIC
2. THICKNESS: 0.9 mm ± 0.05 mm
3. COLOUR: CLEAR
4. BOW 2 mm MAXIMUM PER 330 mm
5. TWIST 2 mm MAXIMUM PER 330 mm
6. TRAY PART NO. AND RECYCLE LOGO TO BE CLEARLY MARKED ON TRAY
RECYCLE LOGO SHOULD BE APPROPRIATE TO MATERIAL USED
7. WHERE RELEVANT, DIMENSIONS SHOULD BE SYMMETRICAL ABOUT THE CENTRELINE
8. GENERAL PROFILE TOLERANCE $\overline{\cup}$ 0.40 ON NON DIMENSIONED FEATURES

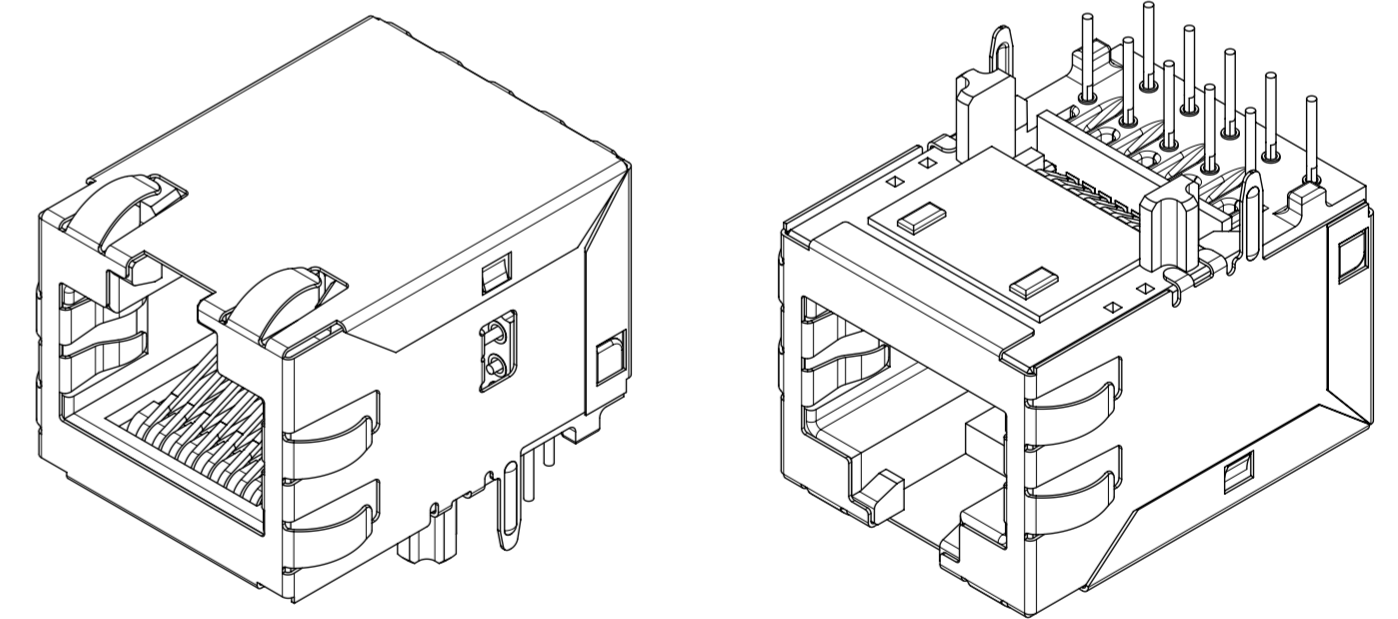
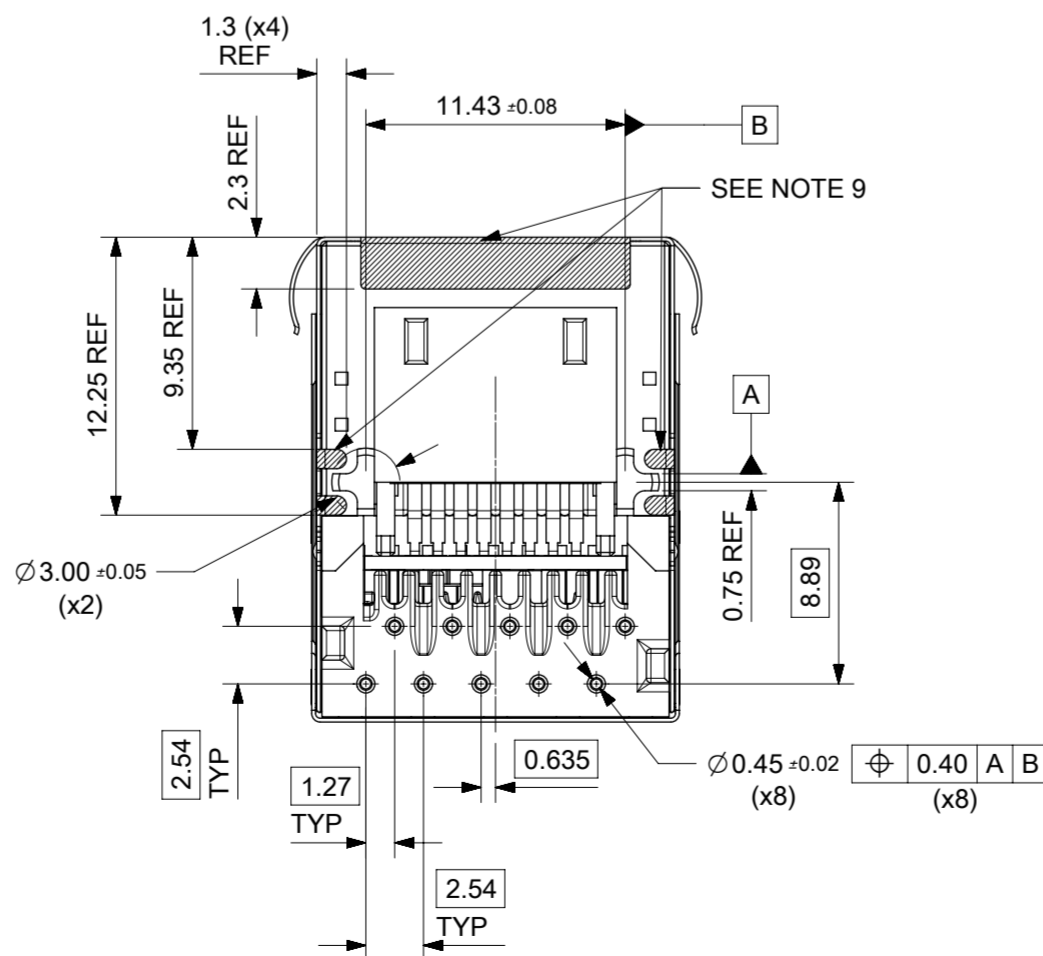
LAST INSPECTION NUMBER USED: 12

THIS DRAWING CONTAINS INFORMATION THAT IS PROPRIETARY TO MOLEX ELECTRONIC TECHNOLOGIES, LLC AND SHOULD NOT BE USED WITHOUT WRITTEN PERMISSION									
DIMENSION UNITS		SCALE		CURRENT REV DESC: REMOVED REFERENCE TO QUANTITY OF TRAYS PER STACK				molex	
mm		1:3							
GENERAL TOLERANCES (UNLESS SPECIFIED)				EC NO: 602124				MXMAG STANDARD AND INVERTED TRAY	
ANGULAR TOL ± 1.0°				DRWN: DSHEA		2018/09/07			
4 PLACES ±				CHK'D: DBYRNES		2019/01/25			
3 PLACES ±				APPR: DBYRNES		2019/01/25			
2 PLACES ± 0.2				INITIAL REVISION:				PRODUCT CUSTOMER DRAWING	
1 PLACE ± 0.5				DRWN: KREILLY		2016/05/06		DOCUMENT NUMBER	
0 PLACES ±				APPR: STGRIFFIN		2016/12/07		934620003	
DRAFT WHERE APPLICABLE MUST REMAIN WITHIN DIMENSIONS		THIRD ANGLE PROJECTION		DRAWING		SERIES		MATERIAL NUMBER	
				A3-SIZE		93462		990250150	
				CUSTOMER		GENERAL MARKET		DOC TYPE DOC PART REVISION	
								PSD K B	
								SHEET NUMBER	
								1 OF 1	

INVERTED PROFILE MAGNETIC JACK
GIGABIT ETHERNET W/SHIELD TABS

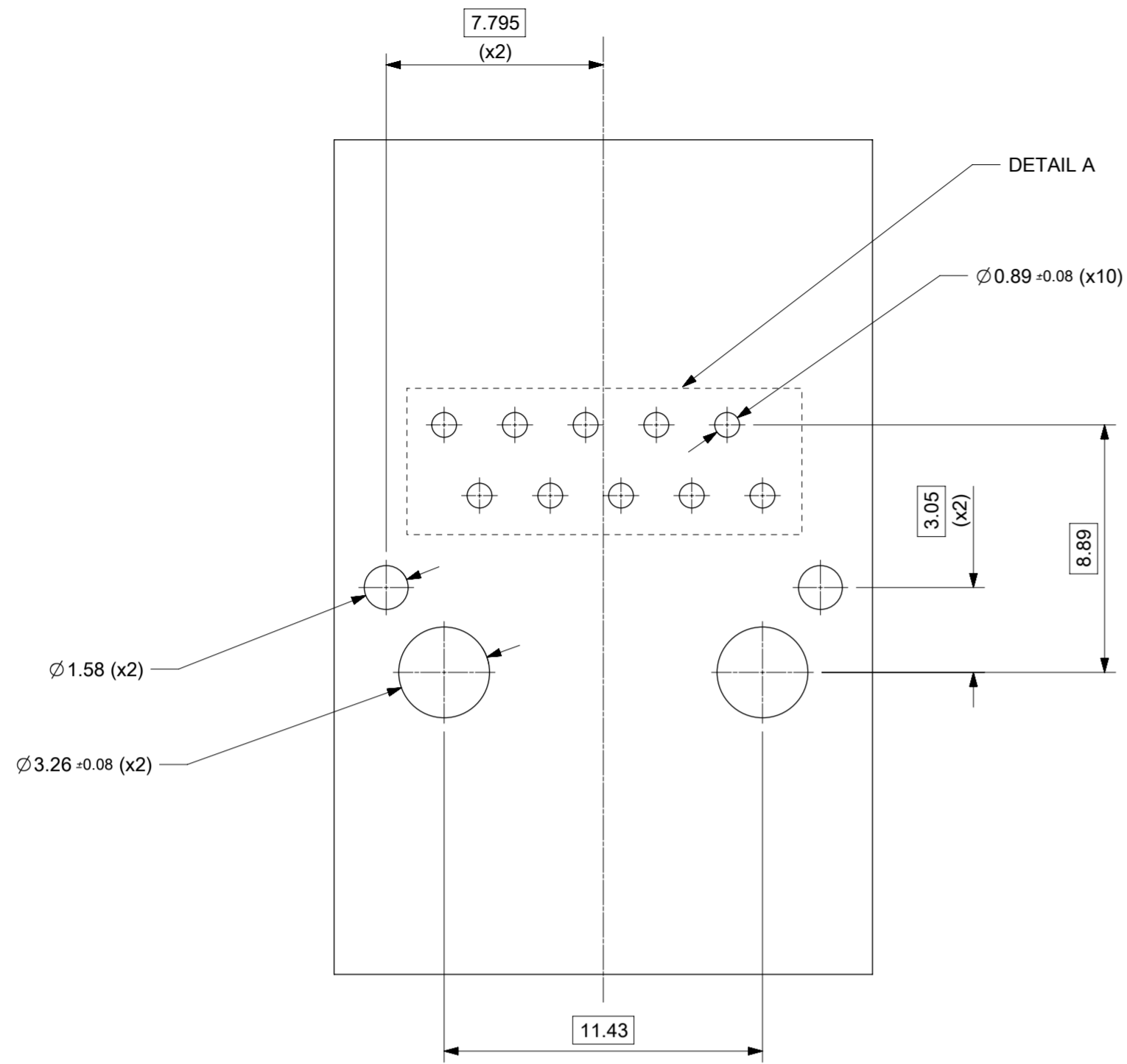


SUGGESTED PANEL CUT-OUT

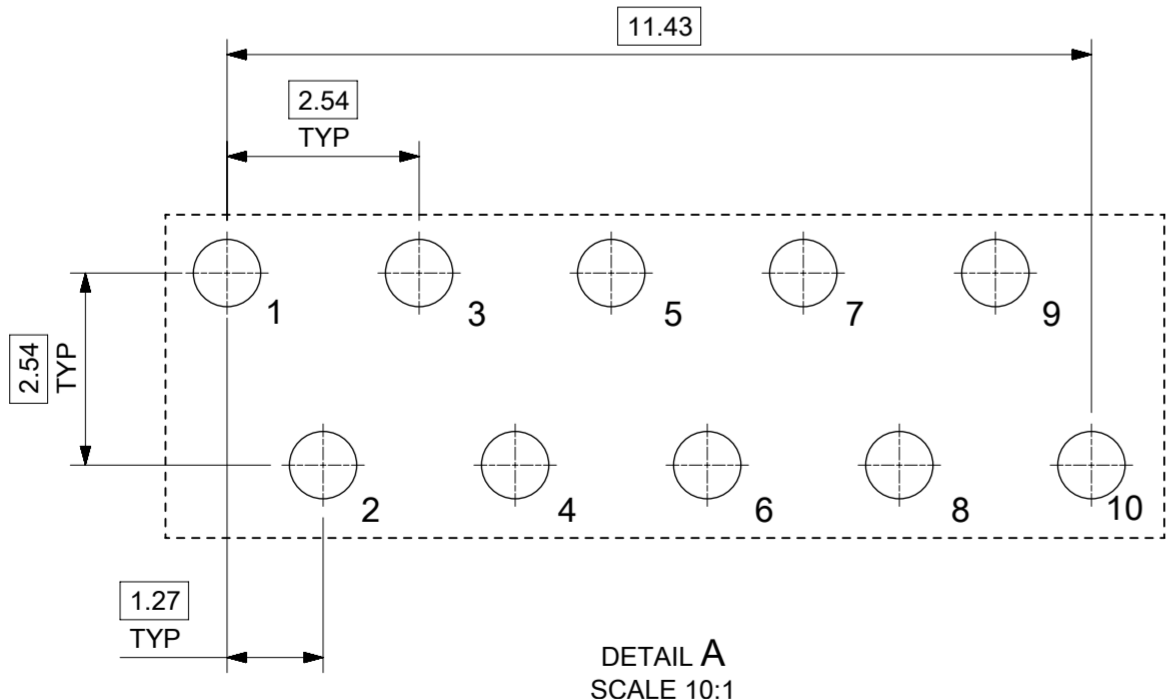


- NOTES:
- SHIELD MATERIAL: 0.17 mm THICK BRASS PRE-PLATED WITH NICKEL
SOLDER TABS POST DIPPED WITH MIN 1.27 μm TIN
 - HOUSING MATERIAL: LCP, BLACK, UL 94V-0
 - TERMINALS MATERIAL: PHOSPHOR BRONZE
RJ45 CONTACTS PLATING: BASE NICKEL PLATED WITH GOLD
FLASH OVER PALLADIUM NICKEL. REFER TO 934620001 PSP
PHY SOLDER TAILS: COPPER ALLOY
 - MATING INTERFACE ACCORDING TO IEC 60603-7 & TIA-1096-A
 - PRODUCT SPECIFICATION: 934620001 PSP
 - PACKAGING SPECIFICATION: 934620001 PSK - TRAY
 - STAND OFF TO SYSTEM BOARD 0.30 mm MIN
 - RECOMMENDED PCB THICKNESS: 1.57 mm
 - SHIELD: AVOID ROUTING TRACES
OR PLACING ANY VIAS BELOW THESE AREAS
 - AREA FOR PICK AND PLACE: 5.0 mm X 8.0 mm
 - INSCRIPTION MARKED BY LASER:
1st : MOLEX
2nd : P/N (SEE BOM)
 - INSCRIPTION MARKED BY LASER:
DATE CODE(DAY/WEEK/YEAR)
 - MATERIAL COMPLIANT TO RoHS DIRECTIVE 2002/95/EC

THIS DRAWING CONTAINS INFORMATION THAT IS PROPRIETARY TO MOLEX ELECTRONIC TECHNOLOGIES, LLC AND SHOULD NOT BE USED WITHOUT WRITTEN PERMISSION							
REVISED EC NO: 116686 DRWN: KREILLY CHKD: DSHEA REV APPR: DBYRNES	2017/05/09	GENERAL TOLERANCES (UNLESS SPECIFIED)	DIMENSION UNITS	SCALE			
	2017/09/12	ANGULAR TOL ± 2.0 °	mm	3:1			
	2017/09/26	4 PLACES ±	DRWN BY	DATE		JKEARNS 2015/11/05	
		3 PLACES ±	CHK'D BY	DATE		JKEARNS 2015/12/17	
		2 PLACES ± 0.1	APPR BY	DATE		STGRIFFIN 2015/11/19	
	1 PLACE ± 0.2	DRAFT WHERE APPLICABLE MUST REMAIN WITHIN DIMENSIONS			PRODUCT CUSTOMER DRAWING		
	0 PLACES ±	DRAWING SIZE	THIRD ANGLE PROJECTION		SERIES	MATERIAL NUMBER	CUSTOMER
		A2			93627	SEE TABLE ON SHEET 2	GENERAL MARKET
					DOCUMENT NUMBER	DOC TYPE	DOC PART SHEET NUMBER
					936270004	PSD	000 1 OF 3



SUGGESTED BOARD LAYOUT
GIGABIT VERSION
COMPONENT SIDE
ALL DIMS REFERENCE DIMS

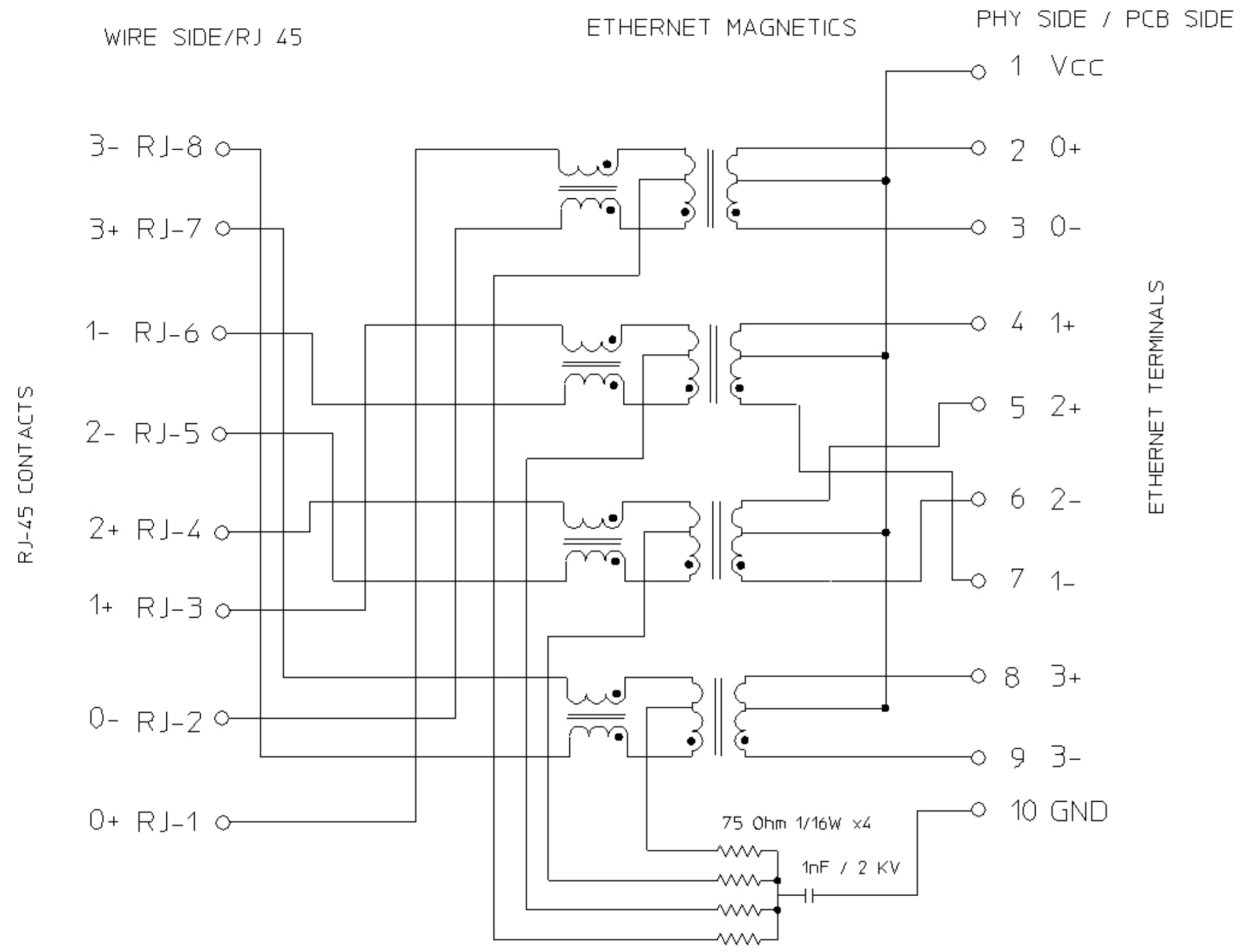


DETAIL A
SCALE 10:1

PIN CONFIGURATION
FOR GIGABIT VERSION

PART NUMBER	LEFT LED	RIGHT LED
93627-8020	N/A	N/A

THIS DRAWING CONTAINS INFORMATION THAT IS PROPRIETARY TO MOLEX ELECTRONIC TECHNOLOGIES, LLC AND SHOULD NOT BE USED WITHOUT WRITTEN PERMISSION											
REVISED	EC NO: 116686	2017/05/09	GENERAL TOLERANCES (UNLESS SPECIFIED)	DIMENSION UNITS	SCALE	molex [®]					
	DRWN: KREILLY	2017/09/12	(UNLESS SPECIFIED)	mm	5:1						
	CHKD: DSHEA	2017/09/26	ANGULAR TOL ± 2.0 °	DRWN BY	DATE	INV MX-MAG 8CORE GIG NO LED W/SHIELD TAB					
	REV: APPR: DBYRNES			JKEARNS	2015/11/05						
			4 PLACES ±	CHK'D BY	DATE	PRODUCT CUSTOMER DRAWING					
		3 PLACES ±	JKEARNS	2015/12/17							
		2 PLACES ± 0.1	APPR BY	DATE	SERIES		MATERIAL NUMBER		CUSTOMER		
		1 PLACE ± 0.2	STGRIFFIN	2015/11/19	93627	SEE TABLE		GENERAL MARKET			
		0 PLACES ±			DOCUMENT NUMBER		DOC TYPE		DOC PART	SHEET NUMBER	
C			DRAFT WHERE APPLICABLE MUST REMAIN WITHIN DIMENSIONS	A2	936270004		PSD		000	2 OF 3	



Description	Value	
OCL @ 100 kHz, 0.1 V 8 mA DC bias (-40°C to +85°C)	350 µH min.	
Turns ratio	1CT:1CT	
Transmission characteristics @ 25°C, all four pairs		
Insertion Loss		
Frequency f, (MHz)	Limits (dB max.)	Typical Values (dB max.)
1.0-9.9	0.4+0.1*log(f)	0.5 @ 10 MHz
10-49.9	0.5+0.3*log(f/10)	0.7 @ 50 MHz
50-79.9	1+1.4*log(f/80)	1.0 @ 80 MHz
80-100	1.3+3*log(f/100)	1.3 @ 100 MHz
Return Loss		
Frequency f, (MHz)	Limits (dB min.)	Typical Values (dB min.)
1.0-39.9	18	18 @ 40 MHz
40-100	12-20*log(f/80)	10 @ 100 MHz
CMR		
Frequency f, (MHz)	Limits (dB min.)	Typical Values (dB min.)
1.0-100	30	30 @ 100 MHz
Next		
Frequency f, (MHz)	Limits (dB min.)	Typical Values (dB min.)
1.0-39.9	35	35 @ 40 MHz
40-100	33-20*log(f/50)	27 @ 100 MHz
Isolation PHY to wire side	2.25 kVDC/60sec	

THIS DRAWING CONTAINS INFORMATION THAT IS PROPRIETARY TO MOLEX ELECTRONIC TECHNOLOGIES, LLC AND SHOULD NOT BE USED WITHOUT WRITTEN PERMISSION

REVISED EC NO: 116686 DRWN: KREILLY CHKD: DSHEA REV APPR: DBYRNES	2017/05/09	GENERAL TOLERANCES (UNLESS SPECIFIED)	DIMENSION UNITS	SCALE				
	2017/09/12	ANGULAR TOL ± 2.0 °	mm	1:1				
	2017/09/26	4 PLACES ±	DRWN BY	DATE		INV MX-MAG 8CORE GIG NO LED W/SHIELD TAB		
		3 PLACES ±	JKEARNS	2015/11/05				
		2 PLACES ± 0.1	CHKD BY	DATE		PRODUCT CUSTOMER DRAWING		
	1 PLACE ± 0.2	JKEARNS	2015/12/17					
	0 PLACES ±	APPR BY	DATE	SERIES	MATERIAL NUMBER	CUSTOMER		
	DRAFT WHERE APPLICABLE MUST REMAIN WITHIN DIMENSIONS	STGRIFFIN	2015/11/19	93627	SEE TABLE ON SHEET 2	GENERAL MARKET		
		DRAWING SIZE	THIRD ANGLE PROJECTION	DOCUMENT NUMBER		DOC TYPE	DOC PART	SHEET NUMBER
		A2		936270004		PSD	000	3 OF 3