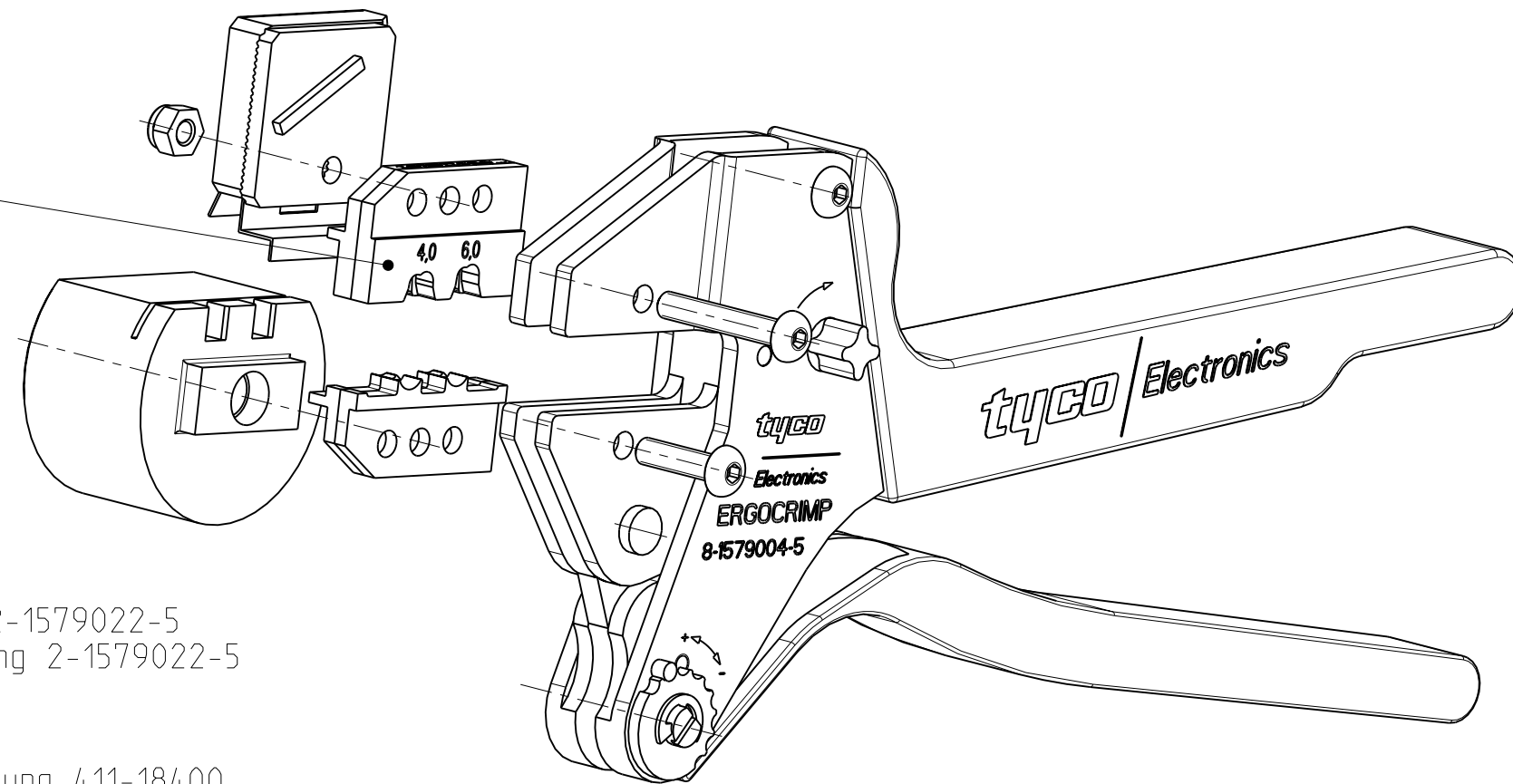


THIS DRAWING IS UNPUBLISHED. RELEASED FOR PUBLICATION 2007
 © COPYRIGHT 2007 BY TYCO ELECTRONICS CORPORATION. ALL RIGHTS RESERVED.

LOC	DIST	REVISIONS				
P	LTR	DESCRIPTION	DATE	DWN	APVD	
A1	-	A1	ECR-07-029259	12DEC2007	KL.	-

ERGOCRIMP HAND TOOL FOR TB DOUBLE FLAT SPRING BL1-3 TERMINAL 4,0-6,0 mm²

Ergocrimp Matrize als Ersatzteil erhaeltlich
 Tyco Electronics Nr.: 2-1579022-5
 Ergocrimp die set as spare part available
 Tyco Electronics No. 2-1579022-5



Einzelteile der Ergocrimp Matrize bestellbar. Siehe Zeichnung 2-1579022-5
 Spare parts of the Ergocrimp die set are available. See drawing 2-1579022-5

Handzange mit Matrize zusammengebaut und mit Bedienungsanleitung 411-18400
 im Karton verpackt
 Hand tool assembled with die set and packed with instruction sheet 411-18400
 in a cardboard

Kontakt	DGB (mm ²)	Drahtcrimp / Wire Crimp		Isolationscrimp/Insulationcrimp		Isol.Ø	Betriebsanl.
Contact	Wire Range	Hoehe/Height (mm)	Breite/Width (mm)	Hoehe/Height (mm)	Breite/Width (mm)	Ins.Range	Instr.Sheet
26966.306.179	4.00	2.40±0.05	3.45 F	4.10±0.20	5.10 0V	3.40-3.70	411-18400
	6.00	2.70±0.05	3.50 F	4.70±0.20	4.70 0V	4.00-4.30	
	-----	-----	-----	-----	-----	-----	

<small>THIS DRAWING IS A CONTROLLED DOCUMENT FOR TYCO ELECTRONICS CORPORATION IT IS SUBJECT TO CHANGE AND THE CONTROLLING ENGINEERING ORGANIZATION SHOULD BE CONTACTED FOR THE LATEST REVISION.</small>		DWN	18APR2007	tyco Electronics AMP GmbH 64625 Bensheim (Germany)
DIMENSIONS: mm 		CHK	18APR2007	
TOLERANCES UNLESS OTHERWISE SPECIFIED: 0 PLC ±- 1 PLC ±- 2 PLC ±- 3 PLC ±- 4 PLC ±- ANGLES ±1°		APVD	-	NAME
MATERIAL -		PRODUCT SPEC	-	ERGOCRIMP HAND TOOL FOR TB DOUBLE FLAT SPRING BL1-3 TERMINAL 4,0-6,0mm ²
FINISH -		APPLICATION SPEC	-	SIZE
		WEIGHT	-	A3
		CUSTOMER DRAWING		CAGE CODE
		SCALE 1:1		00779
		SHEET 1 OF 1		DRAWING NO
		REV A1		©8-1579004-5
		RESTRICTED TO		-