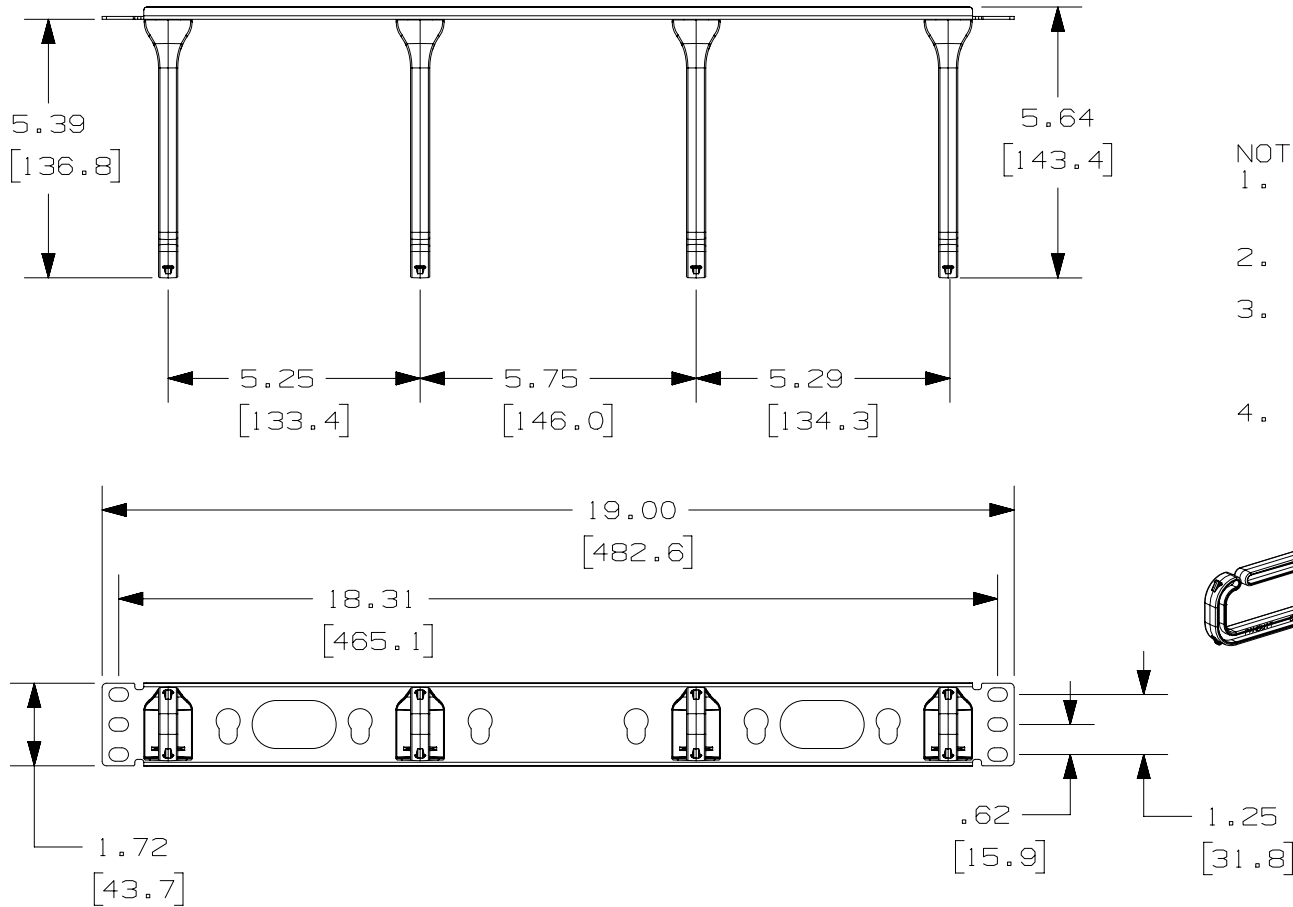


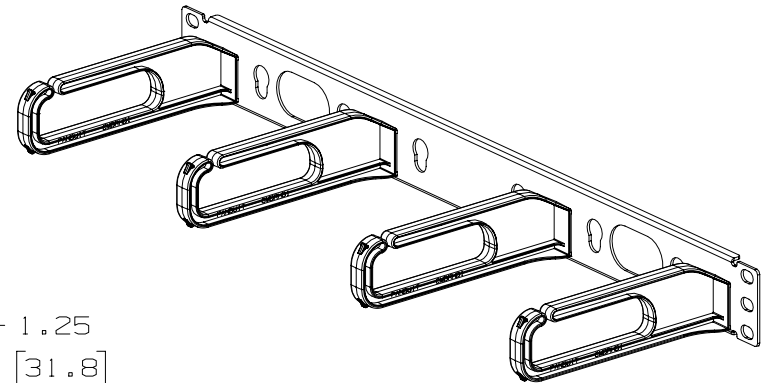
THIS COPY IS PROVIDED ON A RESTRICTED BASIS AND IS NOT TO BE USED IN ANY WAY DETRIMENTAL TO THE INTERESTS OF PANDUIT CORP.



PANDUIT P/N	WEIGHT
CMPHHF1	.71 LB/EACH PC .3 kg/EACH PC

NOTES:

- SEE CATALOG FOR COMPLETE LIST OF PARTS APPLICABLE FOR USE WITH THIS PART.
- DIMENSIONS IN PARENTHESES ARE IN METRIC.
- PARTS INCLUDED:  
4 - D-RINGS  
1 - METAL STAMPING  
4 - 12-24 SCREWS
- FOR OPTIONAL SNAP ON COVER USE PART NUMBER CMPHIC.



REV	DATE	BY	CHK	APR	DESCRIPTION	ECN
02A	3-26-15	TWV	MACA	KRKE	BOM ADJUSTMENT; REVISED NOTES.	00671-14
01B	4-1-13	BAME	FGR	CMK	REVISED AND REDRAWN; ALL PREVIOUS REVS OMITTED UPDATED TITLE BLOCK	00671-14

TITLE <b>OPEN CABLE MANAGEMENT PANEL HORIZONTAL HIGH DENSITY (CMPHHF1)</b> CUSTOMER DRAWING					
ITEM REVISION NAME M00671AF/02			<b>PANDUIT</b>		
DATASET FILE NAME M00671AF_DC/02A					
UNLESS OTHERWISE SPECIFIED, DIMENSIONAL TOLERANCES ARE: IN (mm)					
DRAWN BY SJA			MATERIAL: STAMPING- BLACK POWDER COATED C.R.S.		
DATE 12-17-99			D-RINGS- BLACK PC		
CHK DABE			DRAWING NUMBER: 00671-14		
SCALE NONE			SHT 1 OF 1		
THIRD ANGLE PROJECTION			SIZE A		

D101000DA/15