

CTMMP1808AF Series

From .10μH to 22μH



SPECIFICATIONS

Part numbers indicate inductance tolerance available.

M = ±20%, N = ±30%

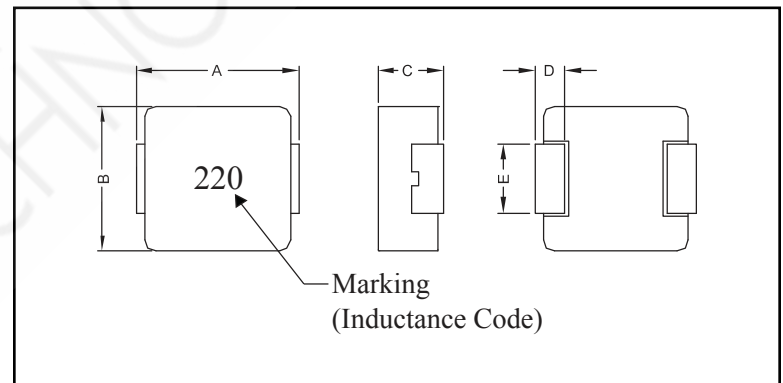
*I_{rms}: Will cause the coil temp. rise approximately ΔT of 40°C (keep 1 min.)

**I_{sat}: Will cause L0 to drop 20%

| Part Number | Inductance (μH) | DCR Typ. (mΩ) | DCR Max. (mΩ) | *I _{rms} Typ. (A) | **I _{sat} Typ. (A) |
|------------------|-----------------|---------------|---------------|----------------------------|-----------------------------|
| CTMMP1808AF-R10N | 0.10 | 3.2 | 4.0 | 12 | 35 |
| CTMMP1808AF-R18N | 0.18 | 4.6 | 5.4 | 13.5 | 28 |
| CTMMP1808AF-R22N | 0.22 | 6.6 | 7.3 | 13 | 24 |
| CTMMP1808AF-R33M | 0.33 | 7.8 | 8.6 | 10 | 18 |
| CTMMP1808AF-R36M | 0.36 | 8.7 | 12 | 9.0 | 15 |
| CTMMP1808AF-R47M | 0.47 | 11.2 | 14 | 8.0 | 12 |
| CTMMP1808AF-R56M | 0.56 | 13.5 | 16 | 7.3 | 10 |
| CTMMP1808AF-R68M | 0.68 | 16 | 19 | 7 | 10 |
| CTMMP1808AF-1R0M | 1.0 | 22 | 27 | 5.0 | 8.5 |
| CTMMP1808AF-1R2M | 1.2 | 25 | 30 | 4.8 | 7.8 |
| CTMMP1808AF-1R5M | 1.5 | 34.8 | 42 | 4.5 | 7.0 |
| CTMMP1808AF-2R2M | 2.2 | 51 | 61 | 4.0 | 6.0 |
| CTMMP1808AF-3R3M | 3.3 | 69 | 76 | 3.5 | 4.0 |
| CTMMP1808AF-4R7M | 4.7 | 95 | 105 | 2.6 | 3.5 |
| CTMMP1808AF-5R6M | 5.6 | 112 | 125 | 2.2 | 3.0 |
| CTMMP1808AF-6R8M | 6.8 | 150 | 172 | 2.1 | 2.8 |
| CTMMP1808AF-8R2M | 8.2 | 158 | 180 | 2.0 | 2.5 |
| CTMMP1808AF-100M | 10 | 215 | 243 | 1.8 | 2.3 |
| CTMMP1808AF-150M | 15 | 325 | 374 | 1.5 | 1.9 |
| CTMMP1808AF-220M | 22 | 470 | 500 | 1.2 | 1.4 |

PHYSICAL DIMENSIONS

| Size | A | B | C | D | E |
|--------|------------|------------|------------|------------|------------|
| mm | 4.45±0.25 | 4.06±0.25 | 1.8±0.2 | 0.76±0.30 | 2.0±0.20 |
| inches | 0.18±0.010 | 0.16±0.010 | 0.07±0.008 | 0.03±0.012 | 0.08±0.008 |



CHARACTERISTICS

Description: SMD shielded power inductor

Applications: Notebook, desktop, server applications, low profile, high current power supplies, battery powered devices, DC/DC converter for Field Programmable Gate Array (FPGA)

Operating Temperature: -40°C to +125°C

Storage Temperature: -40°C to +125°C

Part Temperature (Ambient+Temp. Rise): Should not exceed 125°C under worst case operating conditions

Test Frequency: 100kHz, 1.0V

Packaging: Tape & Reel

Marking: Parts are marked with inductance code

Miscellaneous: RoHS Compliant

Additional Information: Additional electrical & physical information available upon request

Samples available. See website for ordering information.

PAD LAYOUT

