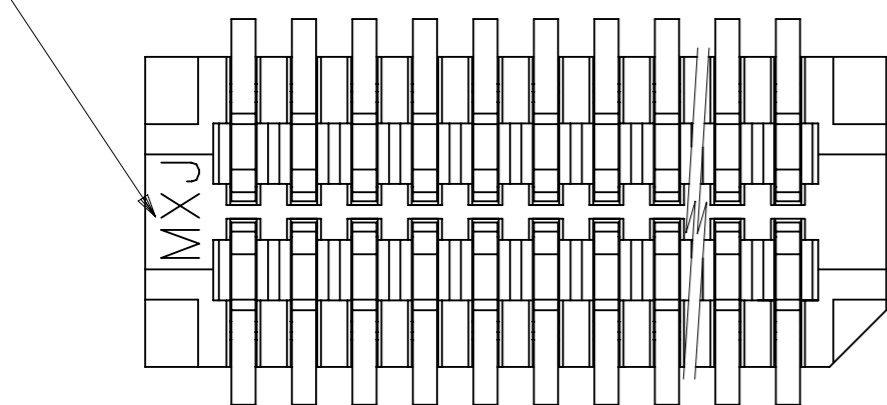


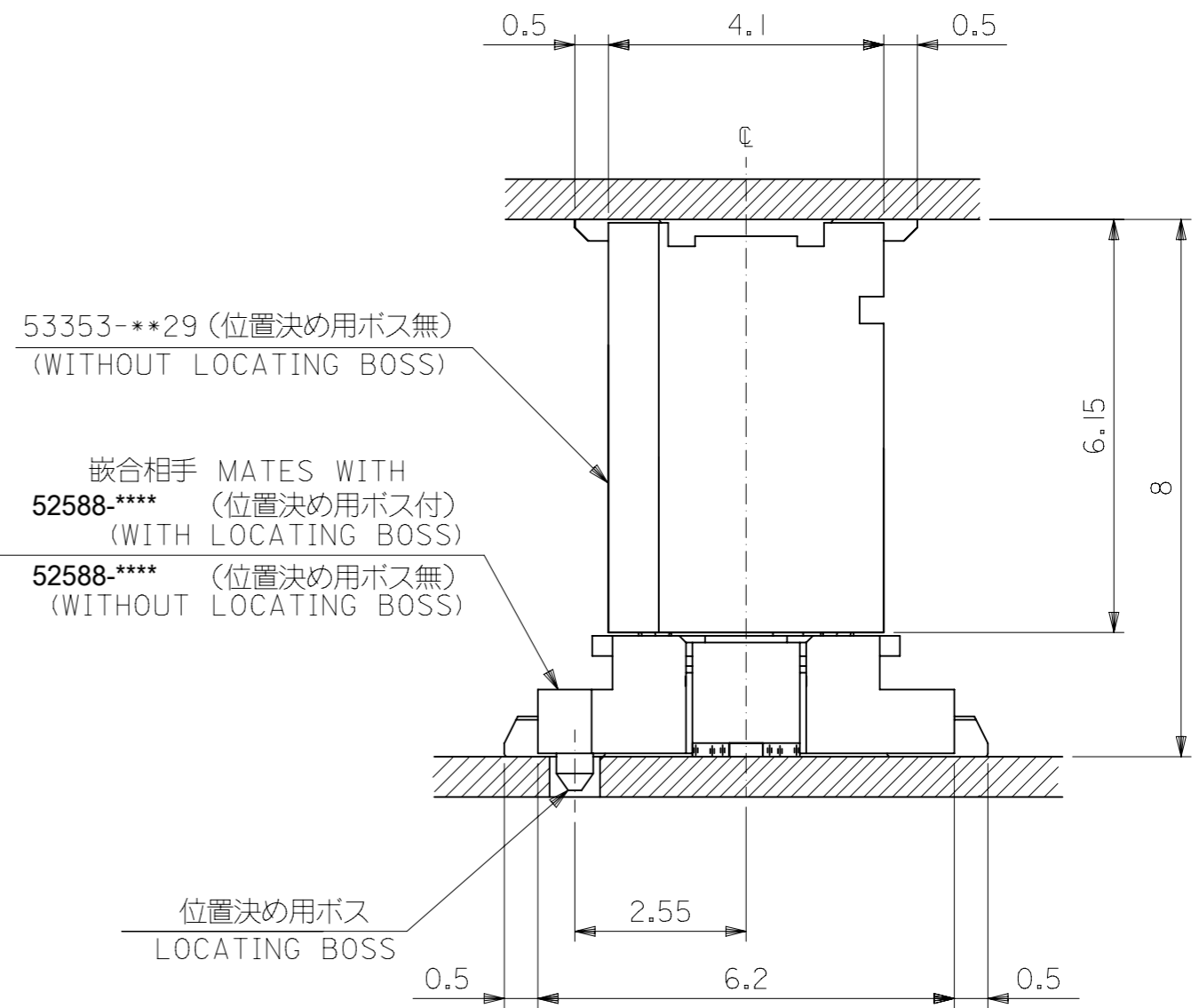
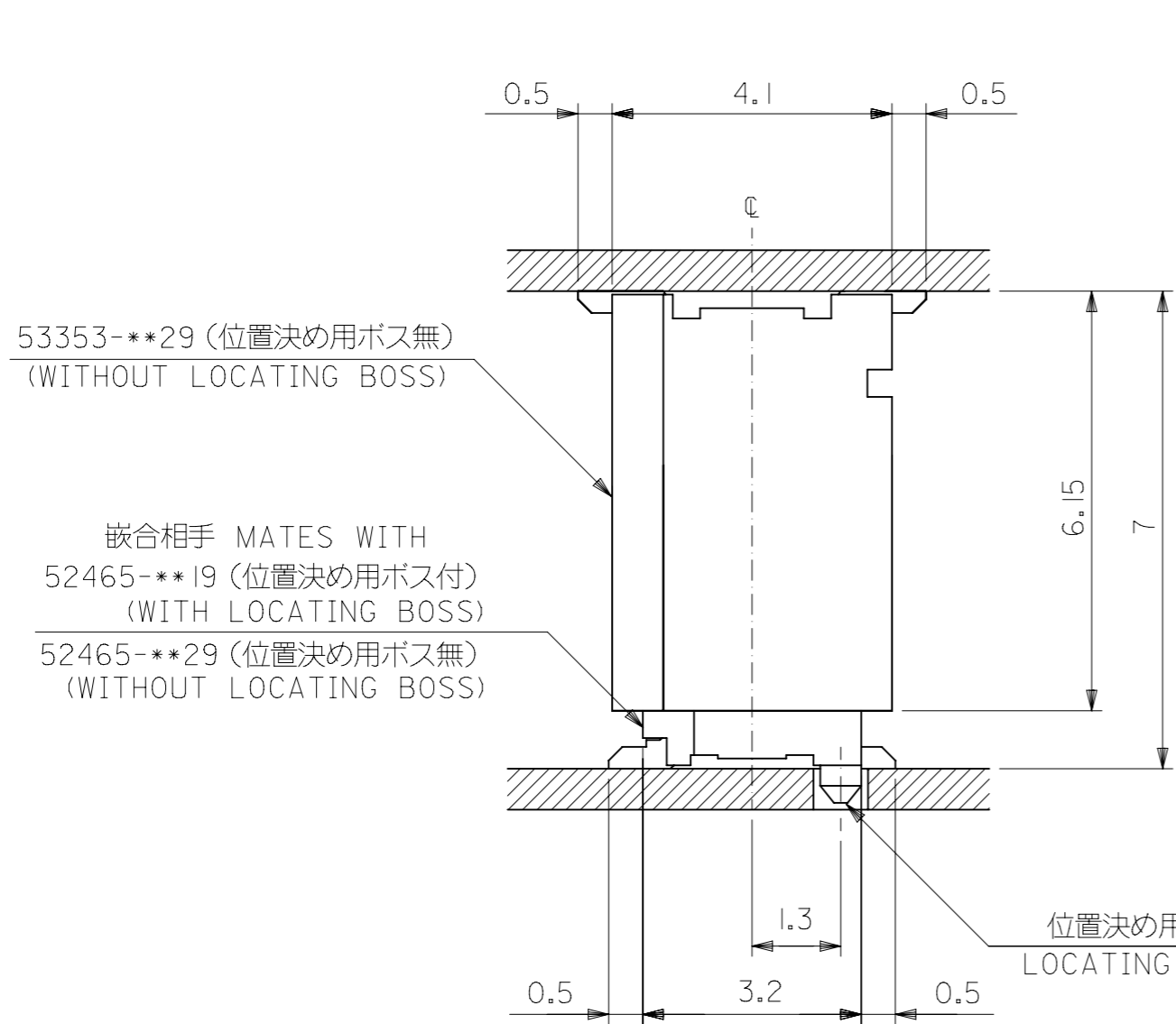
- 注記 NOTES
1. 嵌合相手: 52465, 52588 シリーズ  
MATES WITH: 52465, 52588 SERIES
  2. ウェハーの  $\phi$  から隣接するピンの  $\phi$  迄の位置を示す。  
SHOW POSITION FROM  $\phi$  OF WAFER TO  $\phi$  OF ADJACENT PINS.
  3. ELV 及び RoHS 適合品。  
ELV AND RoHS COMPLIANT.
  4. テール平坦度: 0.1MAX .  
COPLANARITY: 0.1MAXIMUM

トレードマーク TRADE MARK



0.8	5.8	4.9	3.2	53353-1071	10
D	C	B	(A)	EMBOSSED PACKAGE オーダー番号 ORDER NO. CONNECTOR SERIES No. : 53353-**29	極数 CIRCUIT

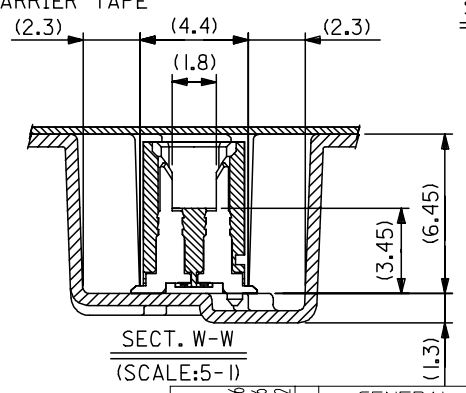
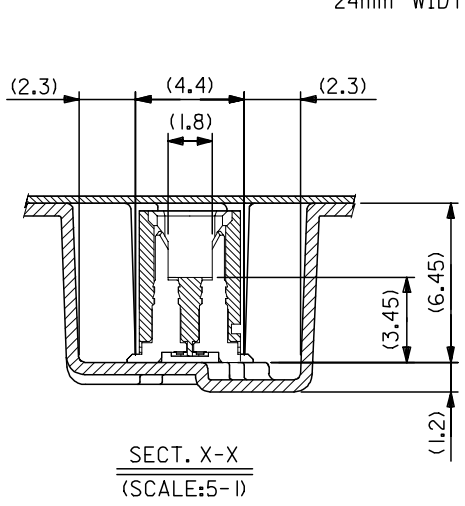
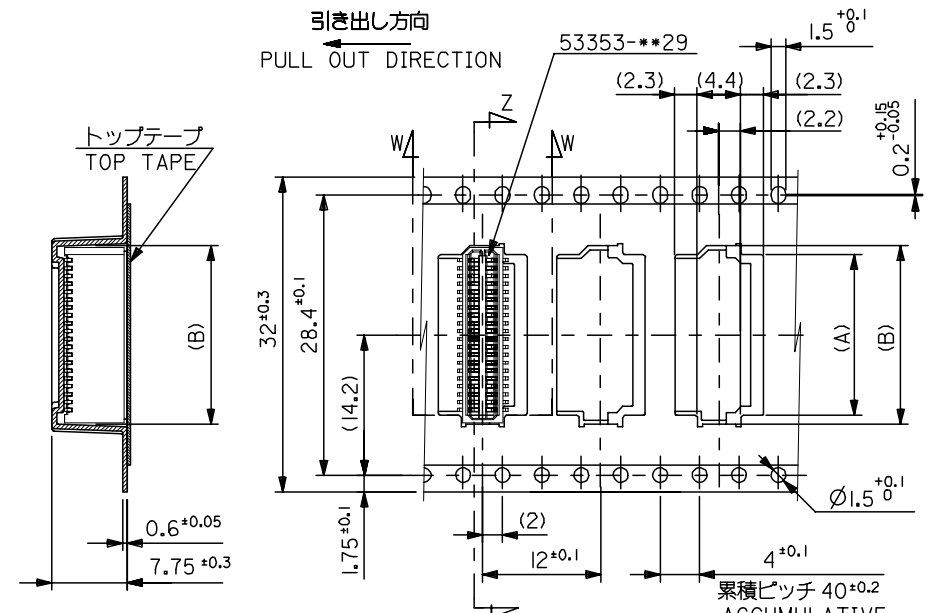
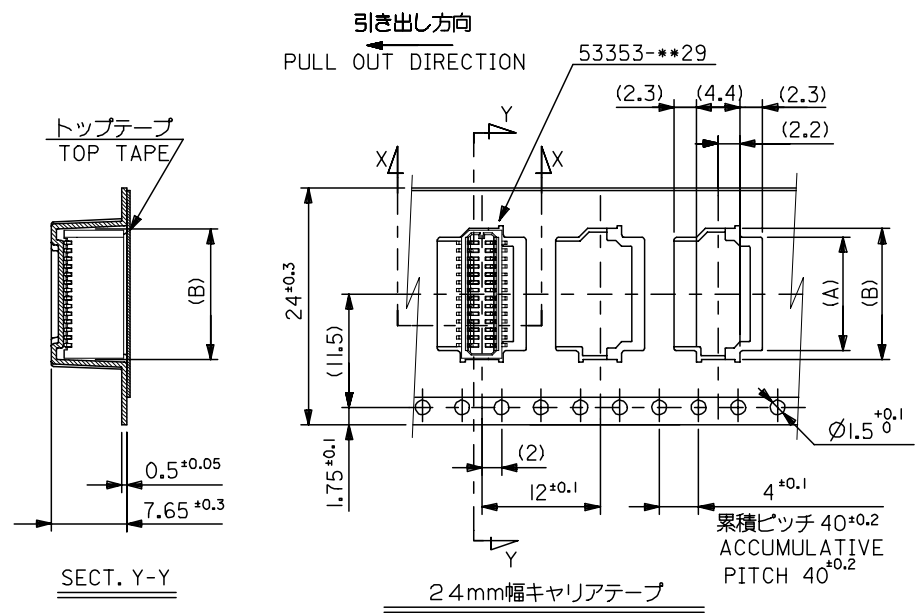
THIS DRAWING CONTAINS INFORMATION THAT IS PROPRIETARY TO MOLEX ELECTRONIC TECHNOLOGIES, LLC AND SHOULD NOT BE USED WITHOUT WRITTEN PERMISSION					
DIMENSION UNITS mm	SCALE NTS	CURRENT REV DESC: REMOVED OBSOLETE PART NUMBERS AS PER PCN#510812			
GENERAL TOLERANCES (UNLESS SPECIFIED)		EC NO: 728320 DRWN: LIKITV CHK'D: GGA APPR: GGA			
ANGULAR TOL	± 3.0°	2022/11/10	0.8 B/B CONN. WAFER ASSY ST. SMT(WITHOUT BOSS)		
4 PLACES	± 0.2	2022/12/12	PRODUCT CUSTOMER DRAWING		
3 PLACES	± 0.25	2022/12/12	DOCUMENT NUMBER		
2 PLACES	± 0.3	2022/12/12	SD-53353-003		
1 PLACE	±		DOC TYPE DOC PART REVISION		
0 PLACES	±		PSD 001 C1		
DRAFT WHERE APPLICABLE MUST REMAIN WITHIN DIMENSIONS	THIRD ANGLE PROJECTION	DRAWING	SERIES	MATERIAL NUMBER	CUSTOMER
		A3-SIZE	53353	SEE CHART	GENERAL MARKET
					SHEET NUMBER 1 OF 2



嵌合状態図 (参考)  
MATED DRAWING (REF.)

CONNECTOR SERIES No. : 53353-\*\*-29

THIS DRAWING CONTAINS INFORMATION THAT IS PROPRIETARY TO MOLEX ELECTRONIC TECHNOLOGIES, LLC AND SHOULD NOT BE USED WITHOUT WRITTEN PERMISSION									
DIMENSION UNITS	SCALE	CURRENT REV DESC: REMOVED OBSOLETE PART NUMBERS AS PER PCN#510812							
mm	NTS								
GENERAL TOLERANCES (UNLESS SPECIFIED)									
ANGULAR TOL	± 3.0 °	EC NO: 728320 DRWN: LIKITV 2022/11/10 CHK'D: GGA 2022/12/12 APPR: GGA 2022/12/12							
4 PLACES	± 0.2								
3 PLACES	± 0.25	INITIAL REVISION: DRWN: YWADA 2004/03/05 APPR: MSASAO 2004/03/11							
2 PLACES	± 0.3								
1 PLACE	±	DOCUMENT NUMBER		DOC TYPE	DOC PART	REVISION	PRODUCT CUSTOMER DRAWING		
0 PLACES	±	SD-53353-003		PSD	001	C1			
DRAFT WHERE APPLICABLE MUST REMAIN WITHIN DIMENSIONS		THIRD ANGLE PROJECTION	DRAWING	SERIES	MATERIAL NUMBER	CUSTOMER	SHEET NUMBER		
			A3-SIZE	53353	SEE CHART	GENERAL MARKET	2 OF 2		



32mm幅キャリアテープ		32mm WIDTH CARRIER TAPE				
CARRIER TAPE WIDTH	D	C	(B) (A)			
32	37.4	33.4	18.1	16.3	53353-4071	40
			16.5	14.7	53353-3671	36
24	29.4	25.4	14.1	12.3	53353-3071	30
			13.3	11.5	53353-2871	28
			10.9	9.1	53353-2271	22
			10.1	8.3	53353-2071	20
			9.3	7.5	53353-1871	18
キャリアテープ幅	D	C	(B)	(A)	MATERIAL NO.	極数
					CIRCUIT	

REVISED EC NO: J2005-2159 DRAWN: KENSUJUKI CHKD: NUKITA APPR: NUKITA 2005/01/26 2005/01/26 2005/02/02	GENERAL TOLERANCES (UNLESS SPECIFIED)		DIMENSION STYLE	SCALE	DESIGN UNITS	THIRD ANGLE PROJECTION	
	10 UNDER ±0.2		MM ONLY	---	METRIC	☉ □	
	10 OVER 30 UNDER ±0.25		DRAWN BY	DATE	TITLE		
	30 OVER ±0.3		YWADA	2004/03/04	0.8 BTB CONN WAFER ASSY		
ANGULAR ±3°		CHECKED BY	DATE	ST SMT WITHOUT BOSS			
DRAFT WHERE APPLICABLE MUST REMAIN WITHIN DIMENSIONS		MSASAO	2004/03/04	EMBTP PKG -LEAD FREE-			
		APPROVED BY	DATE	MOLEX INCORPORATED			
		MSASAO	2004/03/04	MATERIAL NO. SEE CHART			
		MATERIAL NO. SEE CHART		DOCUMENT NO.	SHEET NO.		
		SIZE A3		SD-53353-004	2 OF 2		