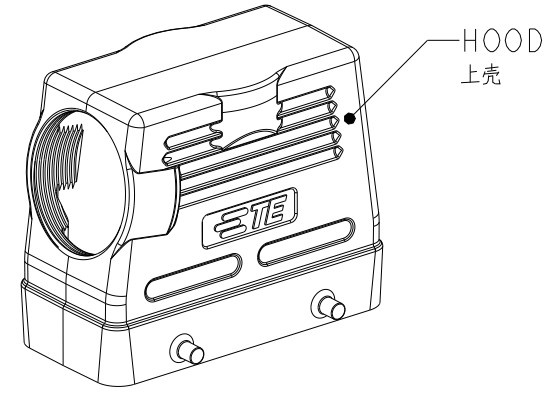
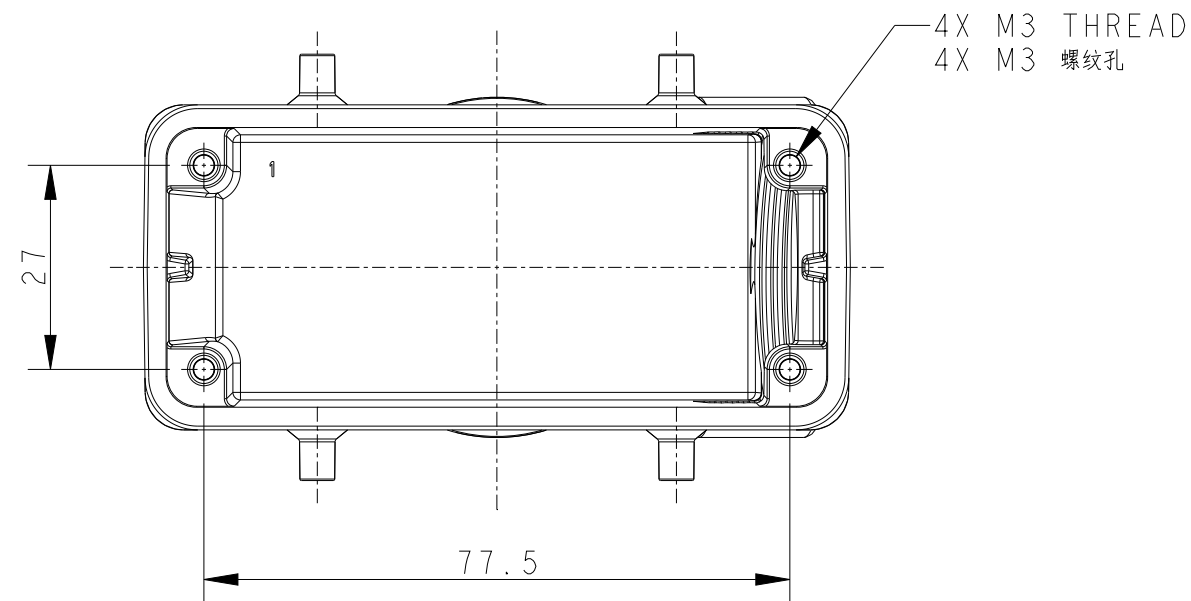
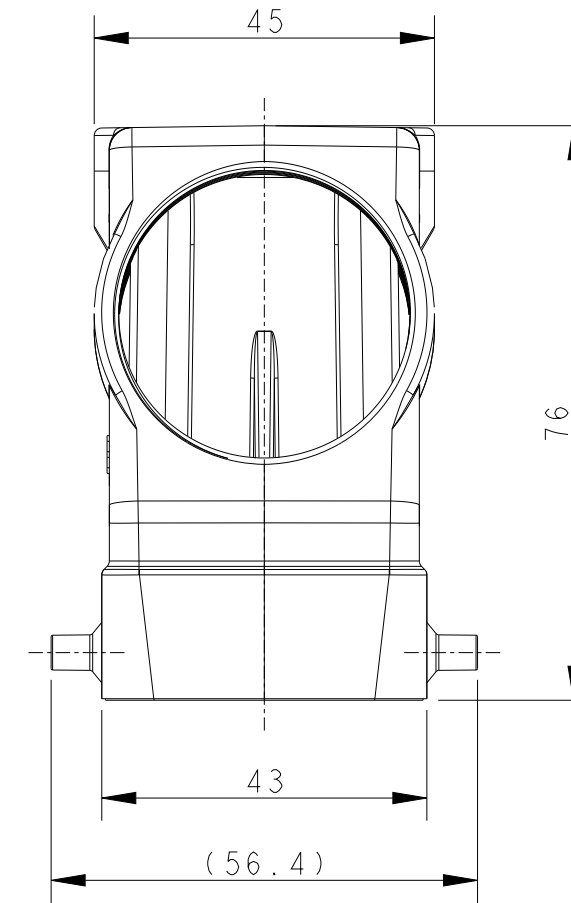
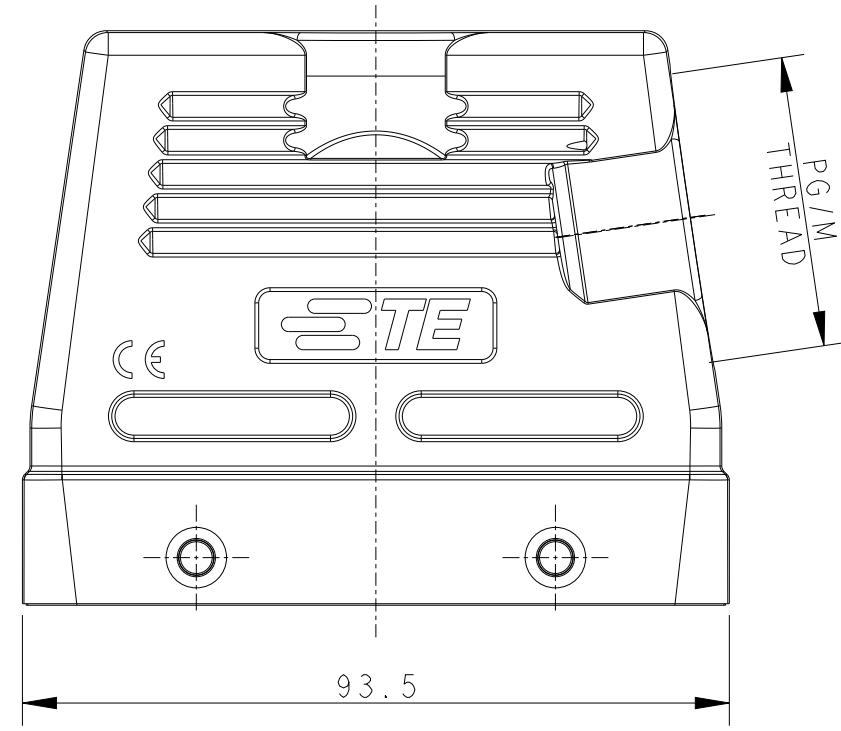


THIS DRAWING IS UNPUBLISHED. RELEASED FOR PUBLICATION 20
 © COPYRIGHT 20 BY - ALL RIGHTS RESERVED.

REVISIONS					
P	LTR	DESCRIPTION	DATE	DWN	APVD
A3		ECR-16-010326	07JUL2016	DW	CW
A4		ECR-16-018349	30DEC2016	DW	CW
B		ECR-20-008190	05AUG2020	WOR	CW
B1		ECR-21-105138	25JUN2021	WOR	CW



SCALE 1:2



NOTES:
 1. TECHNICAL CHARACTERISTICS:
 HOOD MATERIAL: DIE CAST ALUMINIUM ALLOY
 HOOD SURFACE: POWDER COATED, GREY, RAL7037
 DEGREE OF PROTECTION: IP65 (MATED)

注释:
 1. 技术参数:
 上壳材料: 铝合金
 上壳表面处理: 灰色粉末涂层, RAL7037
 防护等级: IP65(配合)

T1230160121-000	H16B-TSH-PG21	H16B HOOD, SIDE ENTRY PG21, 4 EAR, HIGH CONSTRUCTION, POWDER COATED, GREY H16B上壳, 侧出PG21, 4耳, 高结构, 灰色粉末喷涂	PG21
T1230160129-000	H16B-TSH-PG29	H16B HOOD, SIDE ENTRY PG29, 4 EAR, HIGH CONSTRUCTION, POWDER COATED, GREY H16B上壳, 侧出PG29, 4耳, 高结构, 灰色粉末喷涂	PG29
T1230160125-000	H16B-TSH-M25	H16B HOOD, SIDE ENTRY M25, 4 EAR, HIGH CONSTRUCTION, POWDER COATED, GREY H16B上壳, 侧出M25, 4耳, 高结构, 灰色粉末喷涂	M25
T1230160132-000	H16B-TSH-M32	H16B HOOD, SIDE ENTRY M32, 4 EAR, HIGH CONSTRUCTION, POWDER COATED, GREY H16B上壳, 侧出M32, 4耳, 高结构, 灰色粉末喷涂	M32
T1230160140-000	H16B-TSH-M40	H16B HOOD, SIDE ENTRY M40, 4 EAR, HIGH CONSTRUCTION, POWDER COATED, GREY H16B上壳, 侧出M40, 4耳, 高结构, 灰色粉末喷涂	M40
PART NUMBER 零件料号	PART DESCRIPTION 零件描述		PG/M THREAD PG/M 螺纹孔

THIS DRAWING IS A CONTROLLED DOCUMENT.

DWN	DAVID WANG	11 JUN 2014
CHK	CHRIS WANG	11 JUN 2014
APVD	XIANG XU	11 JUN 2014

STE TE Connectivity

NAME: H16B-TSH-M/PG

PRODUCT SPEC	108-137013
APPLICATION SPEC	114-137013
WEIGHT	-

SIZE	A2	CAGE CODE	00779	DRAWING NO	C-T12301601XX000	RESTRICTED TO		
CUSTOMER DRAWING	SCALE	1:1	SHEET	1	OF	1	REV	B1