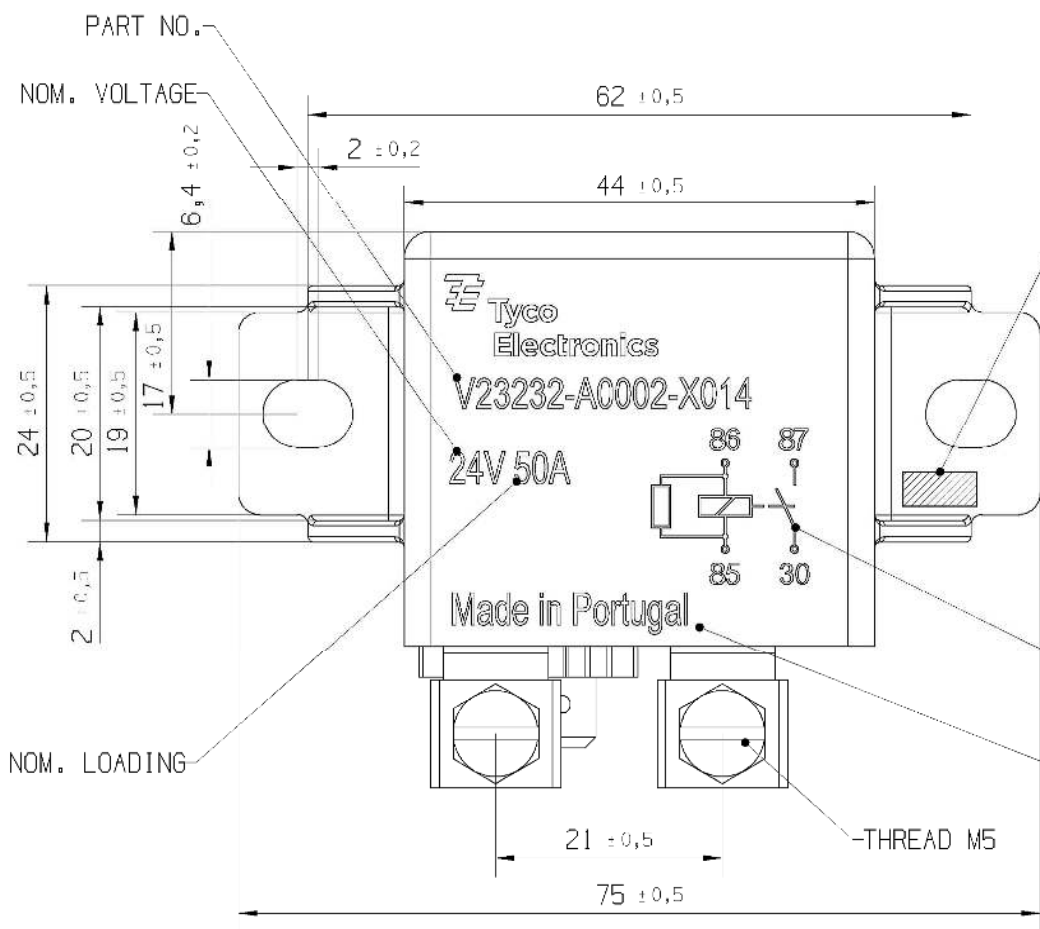
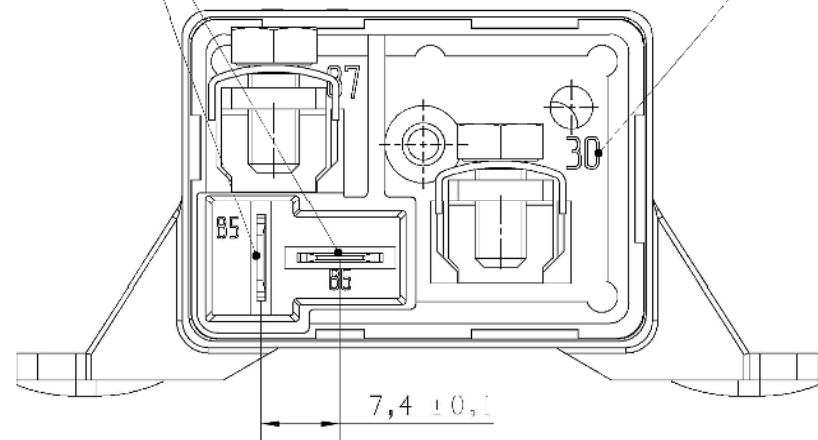
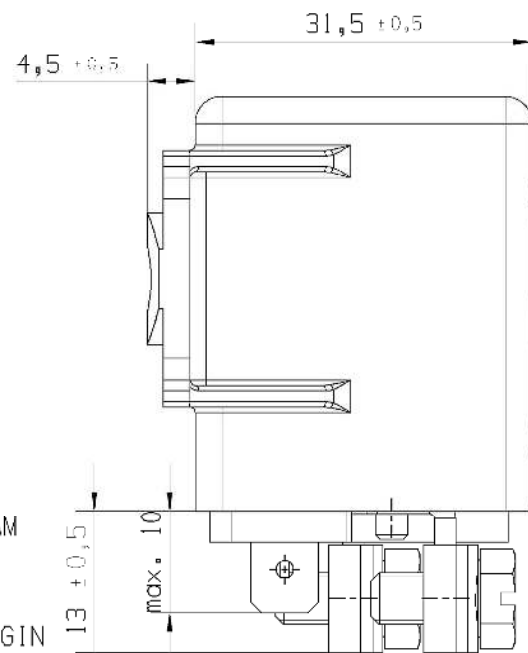


FLAT CONNECTORS 6,3 x 0,8

CONNECTOR --- NUMBER



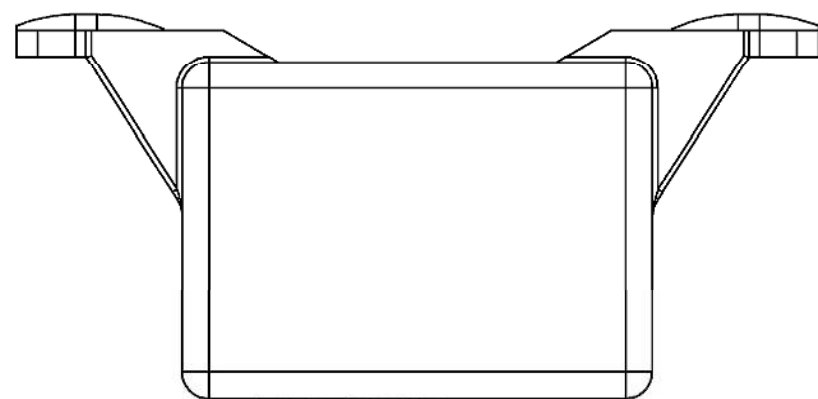
DATE OF MANUFACTURE
OPTIONAL ON
COVER OR BASE



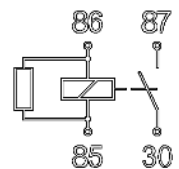
WIRE DIAGRAM
DETAIL F

LAND OF ORIGIN

-THREAD M5



WIRE DIAGRAM



DETAIL F
SCALE 2:1

WE RESERVE THE RIGHT TO MAKE ALTERATIONS IN DESIGNATIONS

COVER AND BASE OF
POLYAMID GLASSFIBER REINFORCED, DULL BLACK

FLAT CONNECTORS 6,3x0,8 ACC. DIN 46 244
BRASS W/O PLATING SUITABLE FOR TWIN CONNECTOR
HOUSING E:G: AMP NO. 180 907


PROTECTION GROUP ACC DIN 40 050, TO PAGE 9
TERMINALS : IP00
HOUSING : IP54

TERMINALS SHALL POINT DOWNWARDS

TE P/N				PART NUMBER			
6-1904059-1				V23232-A0002-X014			
<small>PROPRIETARY</small> <small>THE REPRODUCTION, TRANSMISSION OR USE OF THIS DOCUMENT OR ITS CONTENTS IS NOT PERMITTED WITHOUT EXPRESSED WRITTEN AUTHORITY. OFFENDERS WILL BE LIABLE FOR ALL DAMAGES. ALL RIGHTS, INCLUDING RIGHTS CREATED BY REGISTERED PATENT(S) GRANTED FOR A UTILITY MODEL OR DESIGN, ARE RESERVED.</small>				<small>CHANGES TO THIS DRAWING MUST BE DONE ONLY IN CAD</small>		<small>PAPER SIZE</small> A2	
<small>APPLICABLE SPEC. #</small>				<small>FINISH</small>			
<small>TOLERANCE UNLESS SPECIFIED OTHERWISE</small>				<small>DIMENSIONS APPLY</small>		<small>PLATING</small>	
<small>DIMENSIONS IN MM</small>				<small>SCALE</small>		<small>WEIGHT</small>	
<small>DATE</small>				<small>NAME</small>		<small>PART NAME</small>	
<small>07 Jun 2012</small>				<small>L. Barr</small>		POWER RELAY 24V 50A	
<small>REV. CHANGE ORDER</small>				<small>DATE</small>		<small>APP.</small>	
<small>EC3-15-002382</small>				<small>08F052015</small>		<small>PLATE</small>	
<small>EC3-15-000096</small>				<small>17JUL2014</small>		<small>PLATE</small>	
<small>EC3-14-000684</small>				<small>2 Jun 2014</small>		<small>PLATE</small>	
<small>INITIAL VERSION</small>				<small>07 Jun 2012</small>		<small>PLATE</small>	
				<small>CALSS</small>		V23232-A0002-X014 CUSTOMER DRAWING	
						EHT. 1 OF 2	

TECHNICAL DATA	
Nominal voltage (load and excitation circuit)	24V
Operating voltage range	16...32 V
Permissible ambient temperature	-40...100 °C (1)
Pull in voltage	max. 17V
Drop out voltage	min. 4V
Coil Resistance	130 ± 10% Ohm
Resistor in parallel with coil	510 ± 10% Ohm
Equivalent resistance	104 ± 10% Ohm
Response time (in new condition)	max. 10 ms
Drop out time (in new condition)	max. 15 ms
Voltage drop at nominal current measured at NO-contact 30/87 when new	max 100 mv at 50A
Voltage drop at nominal current measured at NO-contact 30/87 after life test	max 200 mv at 50A
Degree of protection for housing in general	IP 54
Degree of protection for terminals in general	IP 00
Resistive Load current/cycles with a duty cycle (ON-OFF): 2s- 2s	50A min. 50.000 cycles

0 10 20 30 40 50 60 70 80 90 100

TE P/N				PART NUMBER																															
6-1904059-1				V23232-A0002-X014																															
<small>PROPRIETARY</small> <small>ALL INFORMATION ON THIS DRAWING IS UNCLASSIFIED EXCEPT WHERE SHOWN OTHERWISE. THIS DOCUMENT OR ITS CONTENTS ARE NOT TO BE REPRODUCED, COPIED, OR TRANSMITTED IN ANY FORM OR BY ANY MEANS, ELECTRONIC OR MECHANICAL, WITHOUT EXPRESS WRITTEN PERMISSION. OFFENDERS WILL BE LIABLE FOR ALL DAMAGES. ALL RIGHTS, INCLUDING RIGHTS CREATED BY REGISTERED PATENTS GRANTED FOR A UTILITY MODEL OR DESIGN, ARE RESERVED.</small>				CHANGES TO THIS DRAWING MUST BE DONE ONLY IN CAD	PAPER SIZE A2																														
APPLICABLE SPEC.:				FINISH																															
				DIMENSIONS APPLY PLATING																															
				SCALE	WEIGHT 85g																														
				MATERIAL																															
				PART NAME																															
				POWER RELAY 24V 50A																															
				PART NO.																															
				V23232-A0002-X014																															
REV. CHANGE ORDER DATE APP.				CLASS 3 CUSTOMER DRAWING																															
<table border="1"> <thead> <tr> <th>REV.</th> <th>CHANGE ORDER</th> <th>DATE</th> <th>APP.</th> <th>CLASS</th> </tr> </thead> <tbody> <tr> <td>A4</td> <td>ECO-15-01039E</td> <td>15JULY2015</td> <td>F.S.H</td> <td></td> </tr> <tr> <td>A3</td> <td>ECO-15-00238Z</td> <td>02FEB2015</td> <td>F.S.H</td> <td></td> </tr> <tr> <td>A2</td> <td>ECO-15-00039E</td> <td>17JUN2014</td> <td>F.S.H</td> <td></td> </tr> <tr> <td>A1</td> <td>ECO-14-00056E</td> <td>21JUN2014</td> <td>L.E.H</td> <td></td> </tr> <tr> <td>A</td> <td>INITIAL RELEASE</td> <td>07JUN2012</td> <td>L.E.H</td> <td></td> </tr> </tbody> </table>				REV.	CHANGE ORDER	DATE	APP.	CLASS	A4	ECO-15-01039E	15JULY2015	F.S.H		A3	ECO-15-00238Z	02FEB2015	F.S.H		A2	ECO-15-00039E	17JUN2014	F.S.H		A1	ECO-14-00056E	21JUN2014	L.E.H		A	INITIAL RELEASE	07JUN2012	L.E.H		 2 OF 2	
REV.	CHANGE ORDER	DATE	APP.	CLASS																															
A4	ECO-15-01039E	15JULY2015	F.S.H																																
A3	ECO-15-00238Z	02FEB2015	F.S.H																																
A2	ECO-15-00039E	17JUN2014	F.S.H																																
A1	ECO-14-00056E	21JUN2014	L.E.H																																
A	INITIAL RELEASE	07JUN2012	L.E.H																																