

ADS8371EVM

User's Guide

IMPORTANT NOTICE

Texas Instruments Incorporated and its subsidiaries (TI) reserve the right to make corrections, modifications, enhancements, improvements, and other changes to its products and services at any time and to discontinue any product or service without notice. Customers should obtain the latest relevant information before placing orders and should verify that such information is current and complete. All products are sold subject to TI's terms and conditions of sale supplied at the time of order acknowledgment.

TI warrants performance of its hardware products to the specifications applicable at the time of sale in accordance with TI's standard warranty. Testing and other quality control techniques are used to the extent TI deems necessary to support this warranty. Except where mandated by government requirements, testing of all parameters of each product is not necessarily performed.

TI assumes no liability for applications assistance or customer product design. Customers are responsible for their products and applications using TI components. To minimize the risks associated with customer products and applications, customers should provide adequate design and operating safeguards.

TI does not warrant or represent that any license, either express or implied, is granted under any TI patent right, copyright, mask work right, or other TI intellectual property right relating to any combination, machine, or process in which TI products or services are used. Information published by TI regarding third-party products or services does not constitute a license from TI to use such products or services or a warranty or endorsement thereof. Use of such information may require a license from a third party under the patents or other intellectual property of the third party, or a license from TI under the patents or other intellectual property of TI.

Reproduction of information in TI data books or data sheets is permissible only if reproduction is without alteration and is accompanied by all associated warranties, conditions, limitations, and notices. Reproduction of this information with alteration is an unfair and deceptive business practice. TI is not responsible or liable for such altered documentation.

Resale of TI products or services with statements different from or beyond the parameters stated by TI for that product or service voids all express and any implied warranties for the associated TI product or service and is an unfair and deceptive business practice. TI is not responsible or liable for any such statements.

Following are URLs where you can obtain information on other Texas Instruments products and application solutions:

Products		Applications	
Amplifiers	amplifier.ti.com	Audio	www.ti.com/audio
Data Converters	dataconverter.ti.com	Automotive	www.ti.com/automotive
DSP	dsp.ti.com	Broadband	www.ti.com/broadband
Interface	interface.ti.com	Digital Control	www.ti.com/digitalcontrol
Logic	logic.ti.com	Military	www.ti.com/military
Power Mgmt	power.ti.com	Optical Networking	www.ti.com/opticalnetwork
Microcontrollers	microcontroller.ti.com	Security	www.ti.com/security
		Telephony	www.ti.com/telephony
		Video & Imaging	www.ti.com/video
		Wireless	www.ti.com/wireless

Mailing Address: Texas Instruments
Post Office Box 655303 Dallas, Texas 75265

Copyright © 2004, Texas Instruments Incorporated

EVM IMPORTANT NOTICE

Texas Instruments (TI) provides the enclosed product(s) under the following conditions:

This evaluation kit being sold by TI is intended for use for **ENGINEERING DEVELOPMENT OR EVALUATION PURPOSES ONLY** and is not considered by TI to be fit for commercial use. As such, the goods being provided may not be complete in terms of required design-, marketing-, and/or manufacturing-related protective considerations, including product safety measures typically found in the end product incorporating the goods. As a prototype, this product does not fall within the scope of the European Union directive on electromagnetic compatibility and therefore may not meet the technical requirements of the directive.

Should this evaluation kit not meet the specifications indicated in the EVM User's Guide, the kit may be returned within 30 days from the date of delivery for a full refund. **THE FOREGOING WARRANTY IS THE EXCLUSIVE WARRANTY MADE BY SELLER TO BUYER AND IS IN LIEU OF ALL OTHER WARRANTIES, EXPRESSED, IMPLIED, OR STATUTORY, INCLUDING ANY WARRANTY OF MERCHANTABILITY OR FITNESS FOR ANY PARTICULAR PURPOSE.**

The user assumes all responsibility and liability for proper and safe handling of the goods. Further, the user indemnifies TI from all claims arising from the handling or use of the goods. Please be aware that the products received may not be regulatory compliant or agency certified (FCC, UL, CE, etc.). Due to the open construction of the product, it is the user's responsibility to take any and all appropriate precautions with regard to electrostatic discharge.

EXCEPT TO THE EXTENT OF THE INDEMNITY SET FORTH ABOVE, NEITHER PARTY SHALL BE LIABLE TO THE OTHER FOR ANY INDIRECT, SPECIAL, INCIDENTAL, OR CONSEQUENTIAL DAMAGES.

TI currently deals with a variety of customers for products, and therefore our arrangement with the user **is not exclusive**.

TI assumes **no liability for applications assistance, customer product design, software performance, or infringement of patents or services described herein**.

Please read the EVM User's Guide and, specifically, the EVM Warnings and Restrictions notice in the EVM User's Guide prior to handling the product. This notice contains important safety information about temperatures and voltages. For further safety concerns, please contact the TI application engineer.

Persons handling the product must have electronics training and observe good laboratory practice standards.

No license is granted under any patent right or other intellectual property right of TI covering or relating to any machine, process, or combination in which such TI products or services might be or are used.

Mailing Address:

Texas Instruments
Post Office Box 655303
Dallas, Texas 75265

EVM WARNINGS AND RESTRICTIONS

It is important to operate this EVM within the input voltage range of ± 6 V and the output voltage range of 0 V and 5.5 V.

Exceeding the specified input range may cause unexpected operation and/or irreversible damage to the EVM. If there are questions concerning the input range, please contact a TI field representative prior to connecting the input power.

Applying loads outside of the specified output range may result in unintended operation and/or possible permanent damage to the EVM. Please consult the EVM User's Guide prior to connecting any load to the EVM output. If there is uncertainty as to the load specification, please contact a TI field representative.

During normal operation, some circuit components may have case temperatures greater than 60°C. The EVM is designed to operate properly with certain components above 60°C as long as the input and output ranges are maintained. These components include but are not limited to linear regulators, switching transistors, pass transistors, and current sense resistors. These types of devices can be identified using the EVM schematic located in the EVM User's Guide. When placing measurement probes near these devices during operation, please be aware that these devices may be very warm to the touch.

Mailing Address:

Texas Instruments
Post Office Box 655303
Dallas, Texas 75265

Read This First

About This Manual

This users guide describes the characteristics, operation, and use of the ADS8371 16-bit, 750-kHz, parallel interface, analog-to-digital converter evaluation board. A complete circuit description, schematic diagram, and bill of materials are included.

How to Use This Manual

This document contains the following chapters:

- Chapter 1 – EVM Overview
- Chapter 2 – Analog Interface
- Chapter 3 – Digital Interface
- Chapter 4 – Power Supply Requirements
- Chapter 5 – Using the EVM
- Chapter 6 – ADS8371EVM BOM, Layout, and Schematic

Related Documentation From Texas Instruments

To obtain a copy of any of the following TI documents, call the Texas Instruments Literature Response Center at (800) 477–8924 or the Product Information Center (PIC) at (972) 644–5580. When ordering, identify this booklet by its title and literature number. Updated documents can also be obtained through our Web site at www.ti.com

Data Sheets:	Literature Number:
ADS8371	SLAS390
REF1004-2.5	SBVS002
SN74AHC138	SCLS258
SN74AHC245	SCLS230
SN74AHC1G04	SCLS318
THS4031	SLOS224
OPA627	SBOS165

FCC Warning

This equipment is intended for use in a laboratory test environment only. It generates, uses, and can radiate radio frequency energy and has not been tested for compliance with the limits of computing devices pursuant to subpart J of part 15 of FCC rules, which are designed to provide reasonable protection against radio frequency interference. Operation of this equipment in other environments may cause interference with radio communications, in which case the user at his own expense will be required to take whatever measures may be required to correct this interference.

Trademarks

TMS320C5000™ and TMS320C6000™ DSP platforms are trademarks of Texas Instruments Incorporated.

Contents

1	EVM Overview	1-1
1.1	Features	1-2
2	Analog Interface	2-1
2.1	Signal Conditioning	2-2
2.2	Reference	2-3
3	Digital Interface	3-1
4	Power Supply Requirements	4-1
5	Using the EVM	5-1
5.1	As a Reference Board	5-2
5.2	As a Prototype Board	5-2
5.3	As a Software Test Platform	5-2
6	ADS8371EVM BOM, Layout, and Schematic	6-1
6.1	ADS8371EVM Bill of Materials	6-2
6.2	ADS8371EVM Layout	6-5
6.3	ADS8371EVM Schematic	6-9

Figures

2-1	Input Buffer Circuit	2-2
6-1	Top Layer—Layer 1	6-5
6-2	Ground Plane—Layer 2	6-6
6-3	Power Plane—Layer 3	6-7
6-4	Bottom Layer—Layer 4	6-8

Tables

2-1	Analog Input Connector	2-1
2-2	Solder Short Jumper Setting	2-3
3-1	Pinout for Parallel Control Connector P2	3-1
3-2	Jumper Settings	3-2
3-3	Data Bus Connector P3	3-2
3-4	Pinout for Converter Control Connector J2	3-2
4-1	Power Supply Test Points	4-1
4-2	Power Connector, J3, Pinout	4-1
6-1	ADS8371EVM Bill Of Materials	6-2

EVM Overview

This chapter contains the features of the ADS8371EVM.

Topic	Page
1.1 Features	1-1

1.1 Features

- Full-featured evaluation board for the high-speed ADS8371 16-bit, single channel, parallel interface, SAR-type analog-to-digital converters.
- Onboard signal conditioning
- Onboard reference
- Input and output digital buffer
- Onboard decoding for stacking multiple EVMs

Analog Interface

The ADS8371 analog-to-digital converter has both a positive and negative analog input pin. Ground for the negative input is provided on the EVM (via SJP7) close the device, or a user-furnished ground wire may be attached. The negative input pin has a range of –200 mV up to 200 mV, and is shorted on the EVM via SJP7. A signal for the positive input pin can be applied at connector P1, pin 2 (shown in Table 2–1), or applied to the center pin of SMA connector J1.

Table 2–1. Analog Input Connector

Description	Signal Name	Connector.Pin#		Signal Name	Description
Pin tied to Ground	AGND	P1.1	P1.2	+	Noninverting Input Channel
Reserved	N/A	P1.3	P1.4	N/A	Reserved
Reserved	N/A	P1.5	P1.6	N/A	Reserved
Reserved	N/A	P1.7	P1.8	N/A	Reserved
Pin tied to Ground	AGND	P1.9	P1.10	N/A	Reserved
Pin tied to Ground	AGND	P1.11	P1.12	N/A	Reserved
Reserved	N/A	P1.13	P1.14	N/A	Reserved
Pin tied to Ground	AGND	P1.15	P1.16	N/A	Reserved
Pin tied to Ground	AGND	P1.17	P1.18	N/A	Reserved
Reserved	N/A	P1.19	P1.20	REF+	External Reference Input

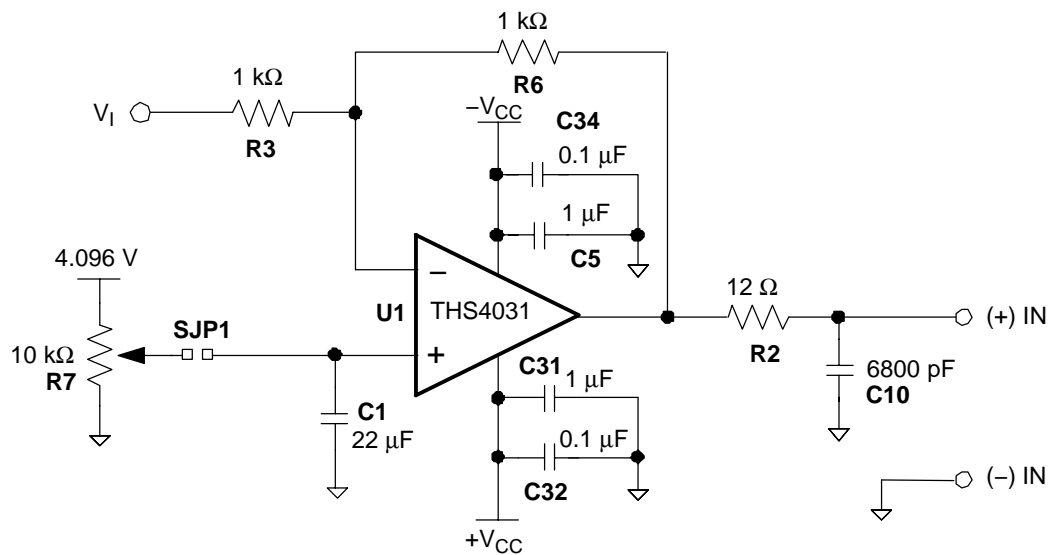
Topic	Page
2.1 Signal Conditioning	2-2
2.2 Reference	2-3

2.1 Signal Conditioning

The factory recommends the analog input to any SAR-type converter be buffered and low-pass filtered. It is important to note that the input buffer circuit of the ADS8371EVM, shown in Figure 2–1, uses the THS4031 in an *inverting* gain-of-one configuration. The amplifier is not stable in a *conventional* gain-of-one configuration. The THS4031 was selected for its low noise, high slew rate, and fast settling time. The low-pass filter resistor and capacitor values are selected such that ADS8371EVM meets the 100-kHz AC performance specifications listed in the data sheet. The series resistor works with the capacitor to filter the input signal, but also isolates the amplifier from the 6800-pF capacitive load. The capacitor to ground at the input of the A/D works with the series resistor to filter the input signal, and acts like a charge reservoir. This external filter capacitor works with the amplifier to charge the internal sampling capacitor during sampling mode.

The EVM has a provision to offset the input voltage by adjusting R7, a 10-k Ω potentiometer.

Figure 2–1. Input Buffer Circuit



2.2 Reference

The ADS8371EVM allows users to select from two reference sources:

- an onboard (REF1004–2.5)
- a user supplied reference voltage via P1 pin 20

Both the user supplied reference and the onboard reference voltage can be amplified and filtered using reference amplifier, U2. The ADS8371EVM ships with the reference amplifier, U2, set for a gain of 1.6 V. The onboard reference (U10) is a 2.5-V reference. The user has the option of applying it directly to the converter, or routing the voltage through the reference amplifier. The ADS8371 has a onboard reference buffer, so it is not necessary to buffer the reference voltage being connecting it to the converter. Also, keep in mind that wiring the voltage reference through the amplifier gains the 2.5-V reference up to 4.096 V.

The ADS8371EVM ships with 4.096 V connected to the reference pin of the converter. See Chapter 6 for a full schematic and Table 2–2 for jumper settings.

Table 2–2. Solder Short Jumper Setting

Reference Designator	Description	Jumper Setting	
		1–2	2–3
SJP1	Apply offset voltage to A/D buffer	Installed [†]	N/A
SJP2	Set amplifier U1 negative supply to ground		
	Set amplifier U1 negative supply to $-V_{CC}$		Installed [†]
SJP3	Set amplifier U2 negative supply to ground		
	Set amplifier U2 negative supply to $-V_{CC}$		Installed [†]
SJP4	Select internal reference source	N/A	
	Select external reference voltage		Installed [†]
SJP5	Select onboard reference source	Installed [†]	
	Select buffered reference source		
SJP6	Select onboard reference source	Installed [†]	
	Buffer user supplied reference voltage		
SJP7	Short (-)IN pin to ground	Installed [†]	N/A

[†] Factory-set condition



Digital Interface

The ADS8371EVM is designed for easy interfacing to multiple platforms. Samtec part numbers SSW-110-22-F-D-VS-K and TSM-110-01-T-DV-P provide a convenient dual-row-header/socket combination at P2 and P3. Consult Samtec at www.samtec.com or 1-800-SAMTEC-9 for a variety of mating connector options.

Table 3-1. Pinout for Parallel Control Connector P2

Connector.Pin	Signal	Description
P2.1	$\overline{DC_CS}$	Daughtercard Board Select pin
P2.3		
P2.5		
P2.7	A0	Address line from processor
P2.9	A1	Address line from processor
P2.11	A2	Address line from processor
P2.13		
P2.15		
P2.17		
P2.19	\overline{INTc}	Set jumper W4 to select BUSY or inverted signal to be applied to this pin.

Note: All even-numbered pins of P2 are tied to DGND.

Read (\overline{RD}) and conversion start (\overline{CONVST}) signals to the converter can be assigned to two different addresses in memory via jumper settings. This allows for the stacking of up to two ADS8371EVMs into processor memory. See Table 3-2 for jumper settings. Note, the evaluation module does not allow the chip select (\overline{CS}) line of the converter to be assigned to different memory locations. It is therefore suggested that the \overline{CS} line be grounded or wired to an appropriate signal of the processor.

Table 3–2. Jumper Settings

Reference Designator	Description	Jumper Settings	
		1–2	2–3
W1	Connect +5 VD from connector to +BVDD	Installed [†]	
	Connect +3.3 VD from connector to +BVDD		
W2	Set A[2..0] = 0x1 to generate RD pulse	Installed [†]	
	Set A[2..0] = 0x2 to generate RD pulse		
W3	Set A[2..0] = 0x3 to generate convst pulse	Installed [†]	
	Set A[2..0] = 0x4 to generate convst pulse		
W4	Set inverted BUSY pulse		
	Set BUSY pulse to INTC#		Installed [†]

[†] Factory-set condition

The data bus is available at connector P3; see Table 3–3 for pinout information.

Table 3–3. Data Bus Connector P3

Connector.Pin	Signal	Description
P3.1	D0	Buffered Data Bit 0 (LSB)
P3.3	D1	Buffered Data Bit 1
P3.5	D2	Buffered Data Bit 2
P3.7	D3	Buffered Data Bit 3
P3.9	D4	Buffered Data Bit 4
P3.11	D5	Buffered Data Bit 5
P3.13	D6	Buffered Data Bit 6
P3.15	D7	Buffered Data Bit 7
P3.17	D8	Buffered Data Bit 8
P3.19	D9	Buffered Data Bit 9
P3.21	D10	Buffered Data Bit 10
P3.23	D11	Buffered Data Bit 11
P3.25	D12	Buffered Data Bit 12
P3.27	D13	Buffered Data Bit 13
P3.29	D14	Buffered Data Bit 14
P3.31	D15	Buffered Data Bit 15 (MSB)

Note: All even-numbered pins of P3 are tied to DGND.

This evaluation module provides direct access to all the analog-to-digital converter control signals via connector J2; see Table 3–4.

Table 3–4. Pinout for Converter Control Connector, J2

Connector.Pin	Signal	Description
J2.1	\overline{CS}	Chip Select pin. Active low
J2.3	\overline{RD}	Read pin. Active low
J2.5	CONVST	Convert start pin. Active low
J2.7	BYTE	Byte select input. Used for 8-bit bus reading.
J2.9	N/C	Not Connected
J2.11	BUSY	Converter status output. High when a conversion is in progress.

Note: All even-numbered pins of J2 are tied to DGND.

Power Supply Requirements

The EVM accepts four power supplies.

- A dual \pm Vs DC supply for the dual supply op amps. Recommend a \pm 6-VDC supply.
- A single +5.0-VDC supply for analog section of the board (A/D + Reference).
- A single +5.0-V or +3.3-VDC supply for digital section of the board (A/D + address decoder + buffers).

There are two ways to provide these voltages.

- 1) Wire in the voltages at test points on the EVM. See Table 4–1.

Table 4–1. Power Supply Test Points

Test Point	Signal	Description
TP12	+BVDD	Apply +3.3 V or +5.0 V. See ADC data sheet for full range.
TP10	DGND	Digital ground
TP9	+AVCC	Apply +5.0 V.
TP5	+VA	Apply +6.0 V. Positive supply for amplifier.
TP3	–VA	Apply –6.0 V. Negative supply for amplifier.
TP4	AGND	Analog ground

- 2) Use the power connector J3, and derive the voltages elsewhere. The pinout for this connector is shown below. If using this connector, set the W1 jumper to connect +3.3 V or +5 V from connector to +BVDD. Short W1 between pins 1–2 to select +5 VD, or short between pins 2–3 to select +3.3 VD as the source for the digital buffer voltage supply (+BVDD).

Table 4–2. Power Connector, J3, Pinout

Signal	Power Connector – J1		Signal
+VA (+6 V)	1	2	–VA (–6 V)
+5 VA	3	4	N/C
DGND	5	6	AGND
N/C	7	8	N/C
+3.3 VD	9	10	+5 VD



Using the EVM

The ADS8371EVM serves three functions

- 1) As a reference design
- 2) As a prototype board and
- 3) As software test platform

Topic	Page
5.1 As a Reference Board	5-2
5.2 As a Prototype Board	5-2
5.3 As a Software Test Platform	5-2

5.1 As a Reference Board

As a reference design, the ADS8371EVM contains the essential circuitry to showcase the analog-to-digital converter. This essential circuitry includes the input amplifier, reference circuit, and buffers. The EVM analog input circuit is optimized for a 100-kHz sine wave; therefore, users may need to adjust the resistor and capacitor values of the A/D input RC circuit. In AC type applications where signal distortion is a concern, polypropylene capacitors should be used in the signal path.

5.2 As a Prototype Board

As a prototype board, the buffer circuit consists of a standard 8-pin SOIC footprint and resistor pads for inverting and noninverting configurations. The ADS8371EVM can be used to evaluate both dual-supply and single-supply amplifiers. The EVM comes installed with a dual-supply amplifier as it allows the user to take advantage of the full input voltage range of the converter. For applications that require single-supply operation (and a smaller input voltage range), the THS4031 can be replaced with a single-supply amplifier like the OPA300. Pad jumper SJP2 should be shorted between pads 1 and 2, as it shorts the minus supply pin of the amplifier to ground. Positive supply voltage can be applied via test point TP5 or connector J3, pin 1.

5.3 As a Software Test Platform

As a software test platform, connectors P1, P2, and P3 plug into the parallel interface connectors of the 5–6K interface card. The 5–6K interface card sits on the TMS320C5000™ and TMS320C6000™ DSP platform starter kit (DSK). The ADS8371EVM is then mapped into the processor memory space. This card also provides an area for signal conditioning. This area can be used to install application circuit(s) for digitization by the ADS8371 analog-to-digital converter. See the 5–6K interface card user's guide (SLAU104) for more information.

For the software engineer, the ADS8371EVM provides a simple platform for interfacing to the converter. The EVM provides standard 0.1-inch headers and sockets to wire into prototype boards. The user need only provide 3 address lines (A2, A1, and A0) and address-valid line ($\overline{DC_CS}$) to connector P2. To choose the address combinations that generate \overline{RD} and \overline{CONVST} , set jumpers as shown in Table 3–2. Recall that the chip select (\overline{CS}) signal is not memory-mapped or tied to P2; therefore, it must be controlled via a general purpose pin or shorted to ground at J2 pin 1. If address decoding is not required, the EVM provides direct access to converter data bus via P3 and to control via J2.

ADS8371EVM BOM, Layout, and Schematic

This chapter contains the ADS8371EVM bill of materials, the layouts, and the schematic.

Topic	Page
6.1 ADS8371EVM Bill of Materials	6-2
6.2 ADS8371EVM Layout	6-5
6.3 ADS8371EVM Schematic	6-9

6.1 ADS8371EVM Bill of Materials

Table 6–1 contains a complete bill of materials for the ADS8371EVM. The schematic diagram also is provided for reference. Contact the Product Information Center or send an e-mail to dataconvapps@list.ti.com for questions regarding this EVM.

Table 6–1. ADS8371EVM Bill Of Materials

QTY	Value	Reference Designators	Footprint	Mfg	Mfg's Part Number	Description
3	NI	R1 R2 R4	805	NOT INSTALLED	NOT INSTALLED	1/16W 0603 Chip Resistor
2	1k	R3 R6	805	Panasonic – ECG or Alternate	ERJ-6ENF1001V	RES 1.00K Ω 1/10W 1% 0805 SMD
2	0	R5 R13	603	Panasonic – ECG or Alternate	ERJ-3GEY0R00V	RES 0 Ω 1/16W 5% 0603 SMD
1	10k	R7	BOURNS_32X4W	Bourns	3214W-1-103E	TRIMPOT 10 k Ω 4MM TOP ADJ SMD
1	1.2k	R8	603	Yageo America or Alternate	9C06031A1201FKHFT	RES 1.20 k Ω 1/10W 1% 0603 SMD
1	0	R9	805	Panasonic – ECG or Alternate	ERJ-6GEY0R00V	RES 0.0 Ω 1/10W 5% 0805 SMD
1	100	R10	603	Panasonic – ECG or Alternate	ERJ-3EKF1000V	RES 100 Ω 1/16W 1% 0603 SMD
1	768	R11	603	Panasonic – ECG or Alternate	ERJ-3EKF7680V	RES 768 Ω 1/16W 1% 0603 SMD
1	12	R12	805	Panasonic – ECG or Alternate	ERJ-6GEYJ120V	RES 12 Ω 1/8W 5% 0805 SMD
1	49.9	R14	805	Panasonic – ECG or Alternate	ERJ-6ENF49R9V	RES 49.9 Ω 1/10W 1% 0805 SMD
1	49.9k	R15	805	Panasonic – ECG or Alternate	ERJ-6ENF4992V	RES 49.9 k Ω 1/10W 1% 0805 SMD
4	10k	R16 R17 R18 R19	603	Panasonic – ECG or Alternate	ERJ-3EKF1002V	RES 10.0 k Ω 1/16W 1% 0603 SMD
1	10k	R20	805	Panasonic – ECG or Alternate	ERA-S15J103V	RES 10 k Ω 1/10W 1500PPM 5%0805
1	22 μ F	C1	805	TDK Corporation or Alternate	C2012X5R0J226M	CAP CER 22 μ F 6.3V X5R 20% 0805
3	NI	C2 C3	805	NOT INSTALLED	NOT INSTALLED	1/16W 0603 chip resistor
7	0.1 μ F	C4 C25 C32 C34 C40 C48 C58	805	Kemet or Alternate	C0805C104J5RACTU	CAP 0.10 μ F 50V ceramic X7R 0805
4	1 μ F	C5 C6 C31 C41	805	Panasonic – ECG or Alternate	ECJ-GVB1C105K	CAP 1 μ F 16V ceramic X5R 0805
1	6800 pF	C10	TH	WIMA	FKP2 6800/100/1	6800 pF polypropylene capacitor
3	NI	C7 C46 C47	603	NOT INSTALLED	NOT INSTALLED	
1	NI	C8	TH	NOT INSTALLED	NOT INSTALLED	
9	0.01 μ F	C9 C17 C18 C20 C24 C51 C52 C54 C56	603	Kemet or Alternate	C0603C103J5RACTU	CAP 10000 pF 50V ceramic X7R 0603

QTY	Value	Reference Designators	Footprint	Mfg	Mfg's Part Number	Description
1	10 μ F	C11	3528	Kemet or Alternate	T491B106K016AS	Capacitor TANT 10 μ F 16V 10% SMT
13	0.1 μ F	C12 C13 C14 C19 C21 C22 C23 C26 C50 C53 C60 C61 C62	603	Kemet or Alternate	C0603C104K3RACTU	CAP 0.1 μ F 25 V ceramic X7R 0603
1	0.47 μ F	C15	603	Panasonic – ECG or Alternate	ECJ-1VF1C474Z	CAP 0.47 μ F 16 V ceramic Y5V 0603
2	0.01 μ F	C28 C36	1206	Kemet or Alternate	C1206C103J5RACTU	CAP 10000 pF 50 V ceramic X7R 1206
2	0.01 μ F	C49 C57	805	Kemet or Alternate	C0805C103K5RACTU	CAP 10000 pF 50 V ceramic X7R 0805
4	1000 pF	C30 C37	1206	Kemet or Alternate	C1206C102J5GACTU	CAP 1000 pF 50 V ceramic NPO 1206
		C45 C59				
2	1 μ F	C29 C39	1206	Kemet or Alternate	C1206C105K3RACTU	CAP 1.0 μ F 25 V ceramic X7R 1206
4	10 μ F	C16 C33 C38 C43	1206	Panasonic – ECG or Alternate	ECJ-3YB1C106M	CAP 10 μ F 16 V ceramic X5R 1206
4	10 μ F	C27 C35 C44 C55	6032	Panasonic – ECG or Alternate	ECS-T1EC106R	CAP 10 μ F 25 V Tantalum TE SMD
1	47 μ F	C42	1206	TDK Corporation or Alternate	C3216X5R0J476M	CAP CER 47 μ F 6.3 V X5R 20% 1206
1	100	RP1	CTS_742	CTS Corporation	742C163101JTR	RES array 100 Ω 16 TRM 8RES SMD
2	1K	RP2 RP3	CTS_742	CTS Corporation	742C163102JTR	RES array 1 k Ω 16TERM 8RES SMD
4	BLM21AJ601 SN1L	L1 L2 L3 L4	1206	Murata ERIE	BLM31PG601SN1L	Chip ferrite beads - 600 Ω at 100 MHz
1	THS4031	U1	8-SOP(D)	Texas Instruments	THS4031DR	100 MHz low-noise high-speed amplifier
1	OPA627	U2	8-SOP(D)	Texas Instruments	OPA627AU	Low-noise high-speed amplifier
1	NI	U3	3-SOT-23	NOT INSTALLED	NOT INSTALLED	REF3040 50 ppm/ $^{\circ}$ C, 50 μ A in SOT23-3 CMOS voltage reference
1	ADS8371	U4	SOCKET_48QFP	Texas Instruments	ADS8371IPFB	ADS8371 16-Bit 750 KSPS
3	SN74AHC24 5PWR	U5 U8 U9	20-TSSOP(PW)	Texas Instruments	SN74AHC245PWR	Octal bus transceiver, 3-state
1	SN74AHC1G 04DBV	U6	5-SOT(DBV)	Texas Instruments	SN74AHC1G04DBVR	Single inverter gate
1	SN74AHC13 8PWR	U7	16-TSSOP(PW)	Texas Instruments	SN74AHC138PWR	3-Line to 8-line decoder/demultiplexer
1	Reference Chip	U10	8-SOP(D)	Texas Instruments	REF1004C-2.5	2.5 V micropower voltage reference
1	SMA_PCB_MT	J1	SMA_JACK	Johnson Components Inc.	142-0701-301	Right angle SMA connector

QTY	Value	Reference Designators	Footprint	Mfg	Mfg's Part Number	Description
1	6X2X.1	J2	6X2X.1_SMT_PLUG_&_SOCKET	Samtec	TSM-106-01-T-D-V-P	0.025" SMT plug – top side of PWB
1	5X2X.1	J3	5X2X.1_SMT_SOCKET	Samtec	SSW-105-22-S-D-VS	0.025" SMT socket – bottom side of PWB
				Samtec	TSM-105-01-T-D-V-P	0.025" SMT plug – top side of PWB
2	10X2X.1	P1 P2	10X2X.1_SMT_PLUG_&_SOCKET	Samtec	SSW-110-22-S-D-VS	0.025" SMT socket – bottom side of PWB
				Samtec	TSM-110-01-T-D-V-P	0.025" SMT plug – top side of PWB
1	18X2X.1_SMT_PLUG_&_SOCKET	P3	16X2X.1_SMT_PLUG_&_SOCKET	Samtec	SSW-116-22-S-D-VS	0.025" SMT socket – bottom side of PWB
				Samtec	TSM-116-01-T-D-V-P	0.025" SMT plug – top side of PWB
4	3POS_JUMPER	W1 W2 W3 W4	3pos_jump	Samtec	TSW-103-07-L-S	3 Position jumper 0.1" spacing
2	SJP2	SJP1 SJP7	SJP2	NOT INSTALLED	NOT INSTALLED	Pad 2 position jumper
5	SJP3	SJP2 SJP3 SJP4 SJP5 SJP6	SJP3	NOT INSTALLED	NOT INSTALLED	Pad 3 Position jumper
10	TP_.025	TP1 TP2 TP3 TP5 TP7 TP8 TP9 TP11 TP12 TP15	test_point2	Keystone Electronics	5000K–ND	Test point PC mini 0.040" D red
6	TP_.025	TP4 TP10 TP6 TP16 TP13 TP14	test_point2	Keystone Electronics	5001K–ND	Test point PC mini 0.040" D black

6.2 ADS8371EVM Layout

Figure 6–1. Top Layer—Layer 1

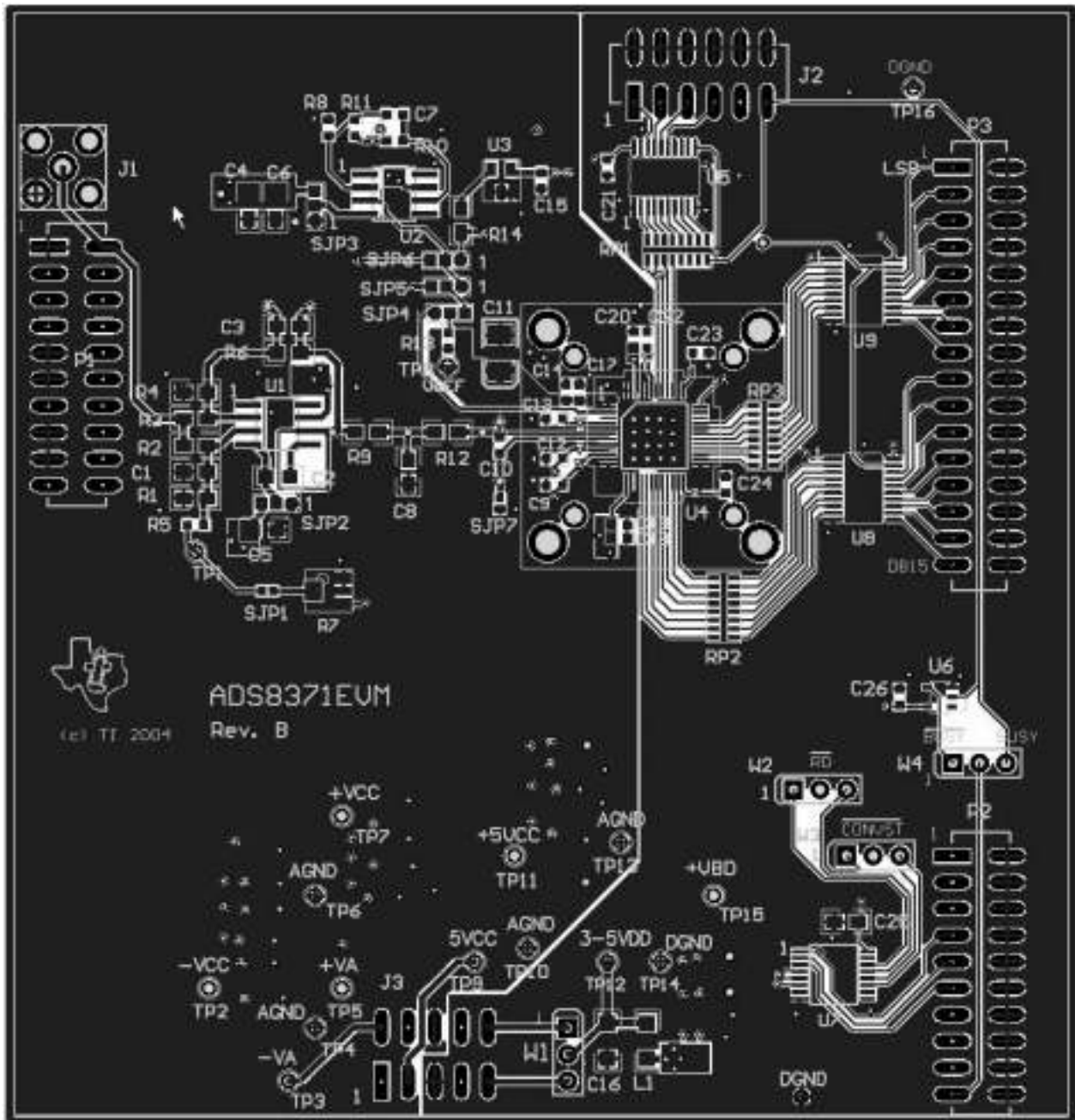


Figure 6-2. Ground Plane—Layer 2

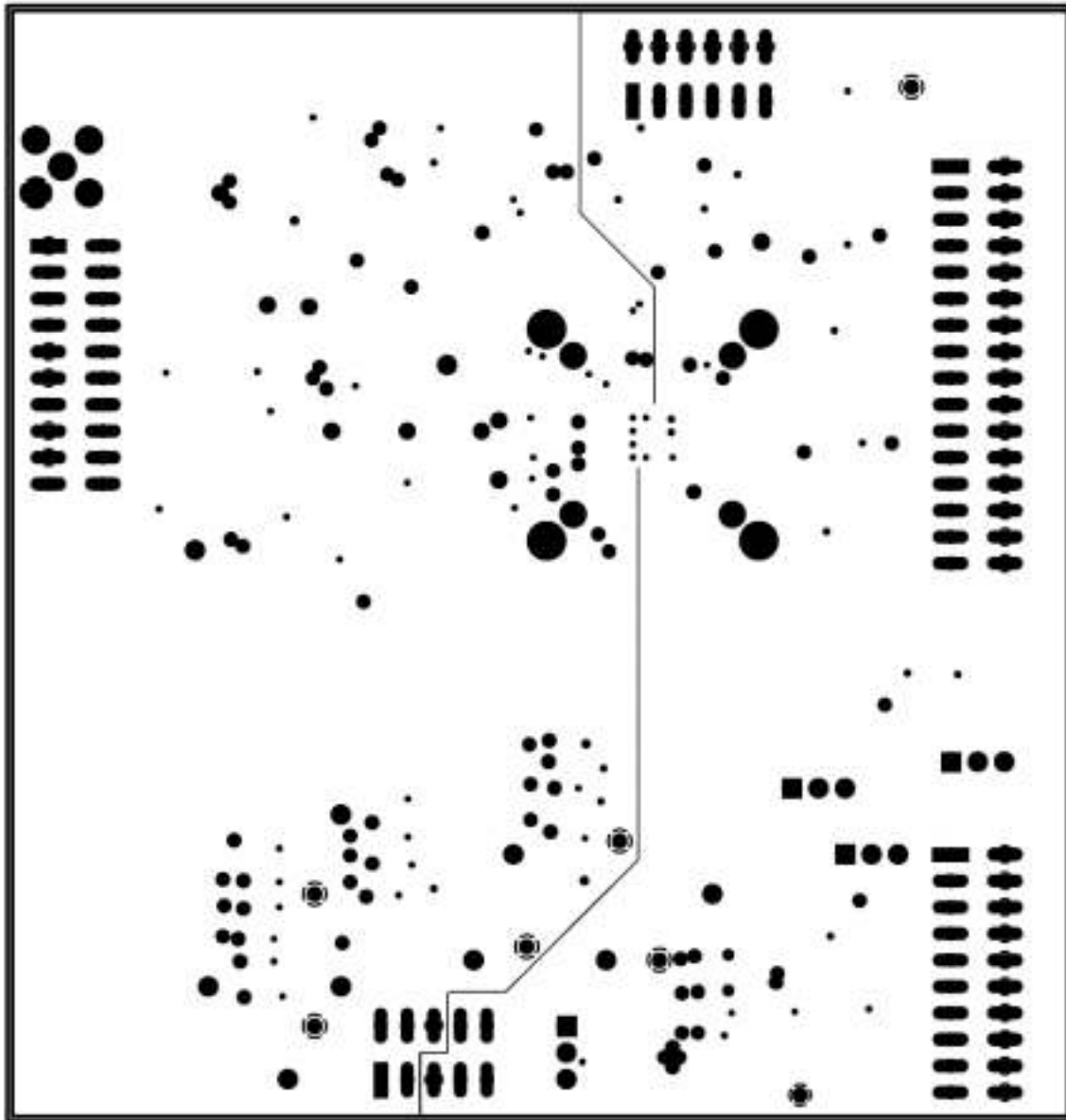


Figure 6-3. Power Plane—Layer 3

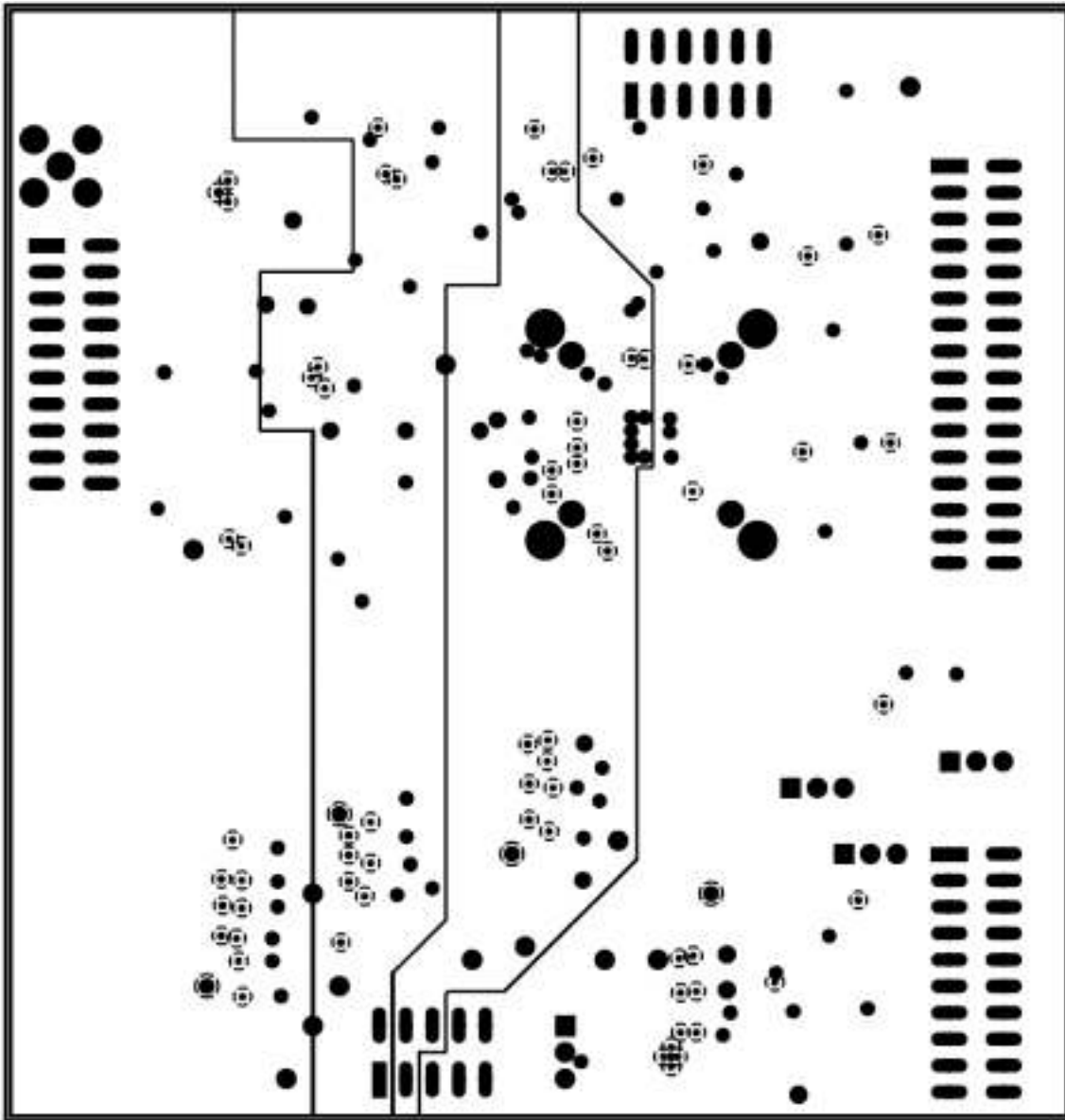
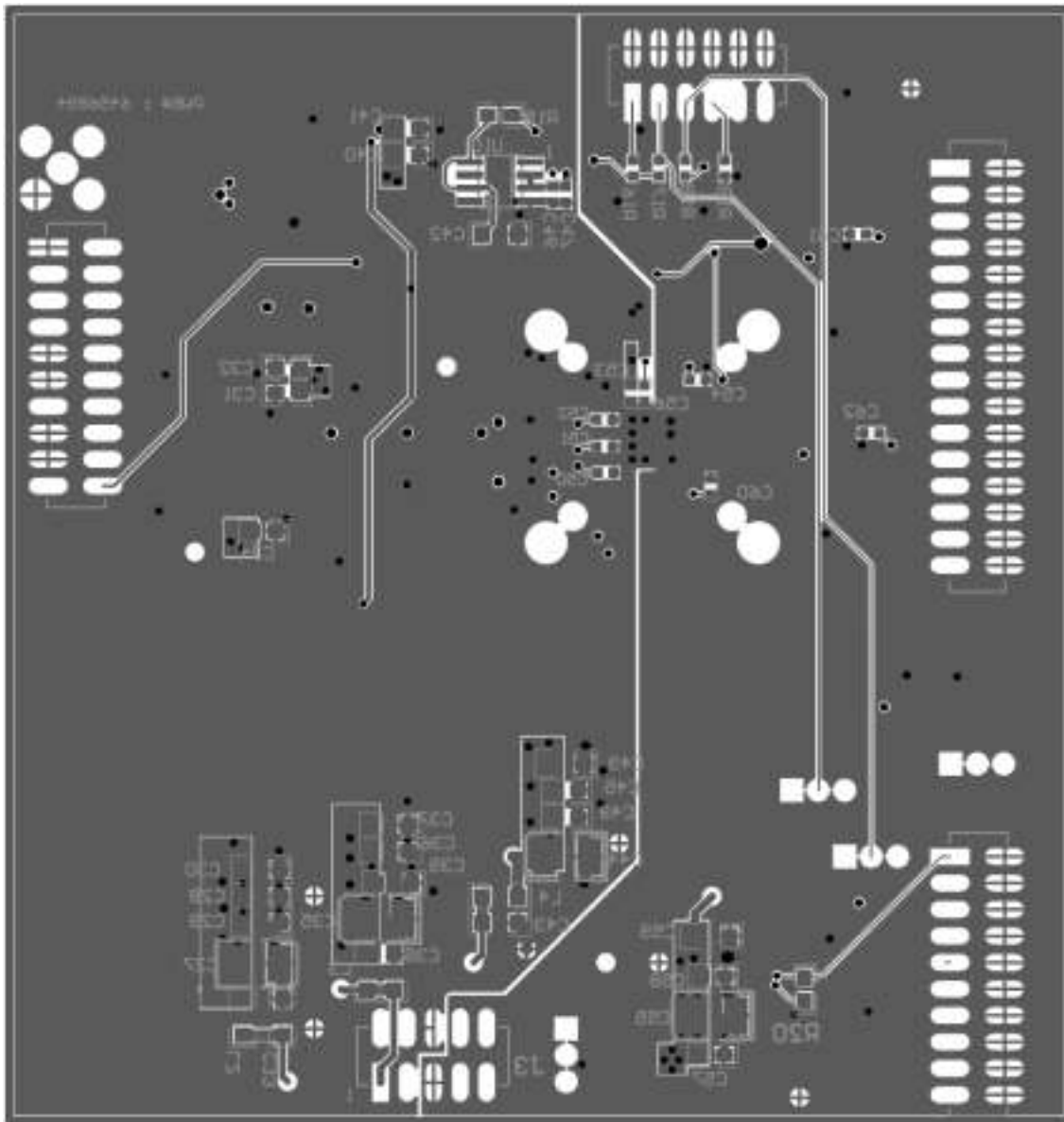


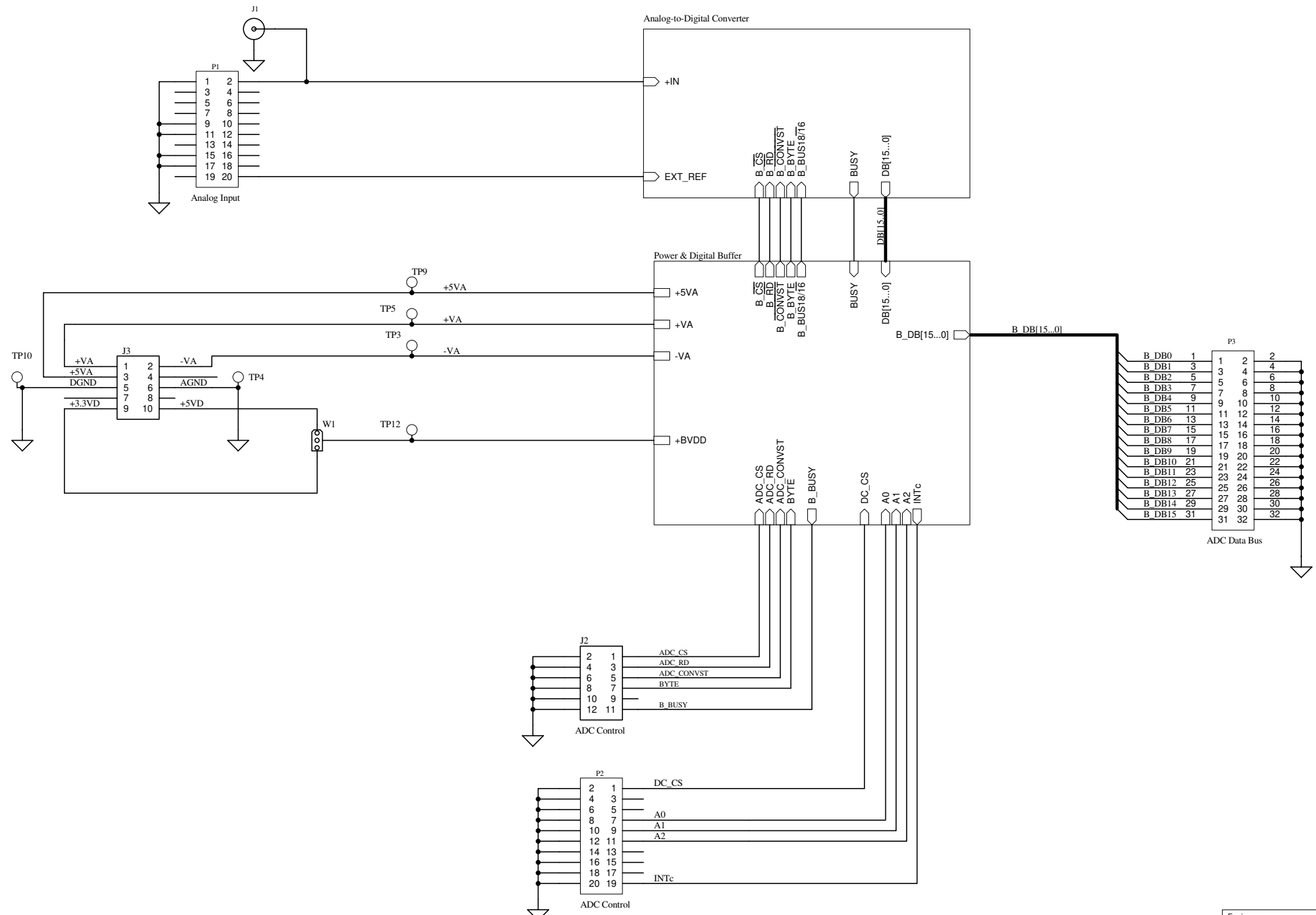
Figure 6–4. Bottom Layer—Layer 4



6.3 ADS8371EVM Schematic

The schematic follows this page.

Revision History		
REV	ECN Number	Approved



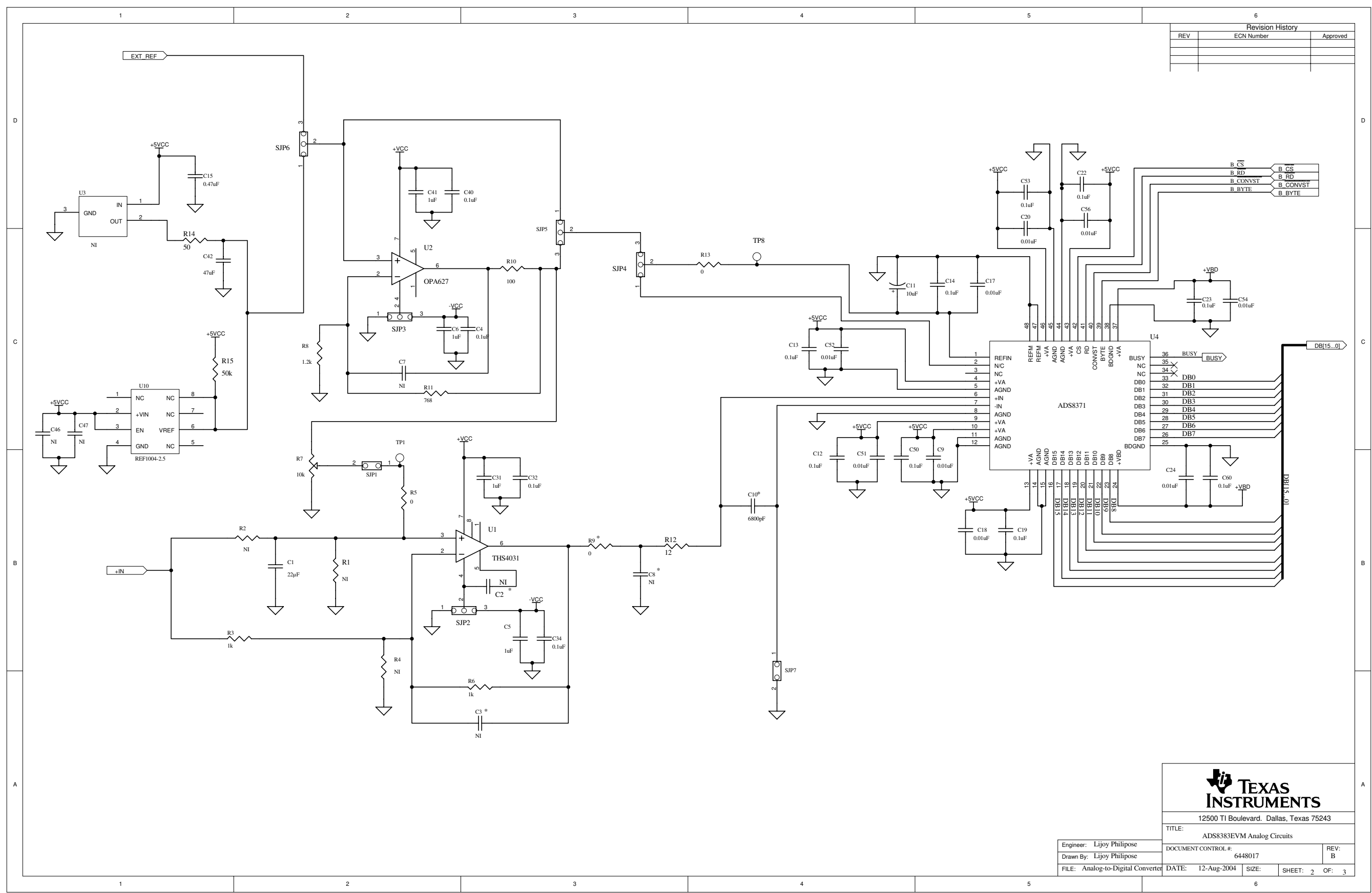
TEXAS INSTRUMENTS

12500 TI Boulevard, Dallas, Texas 75243

TITLE: ADS8371EVM Block Diagram

Engineer: Lijoy Philipose	DOCUMENT CONTROL #: 6456895	REV: B
Drawn By: Lijoy Philipose	DATE: 12-Aug-2004	SIZE: SHEET: 1 OF: 3
FILE: BlockDiagram.sch		

Revision History		
REV	ECN Number	Approved

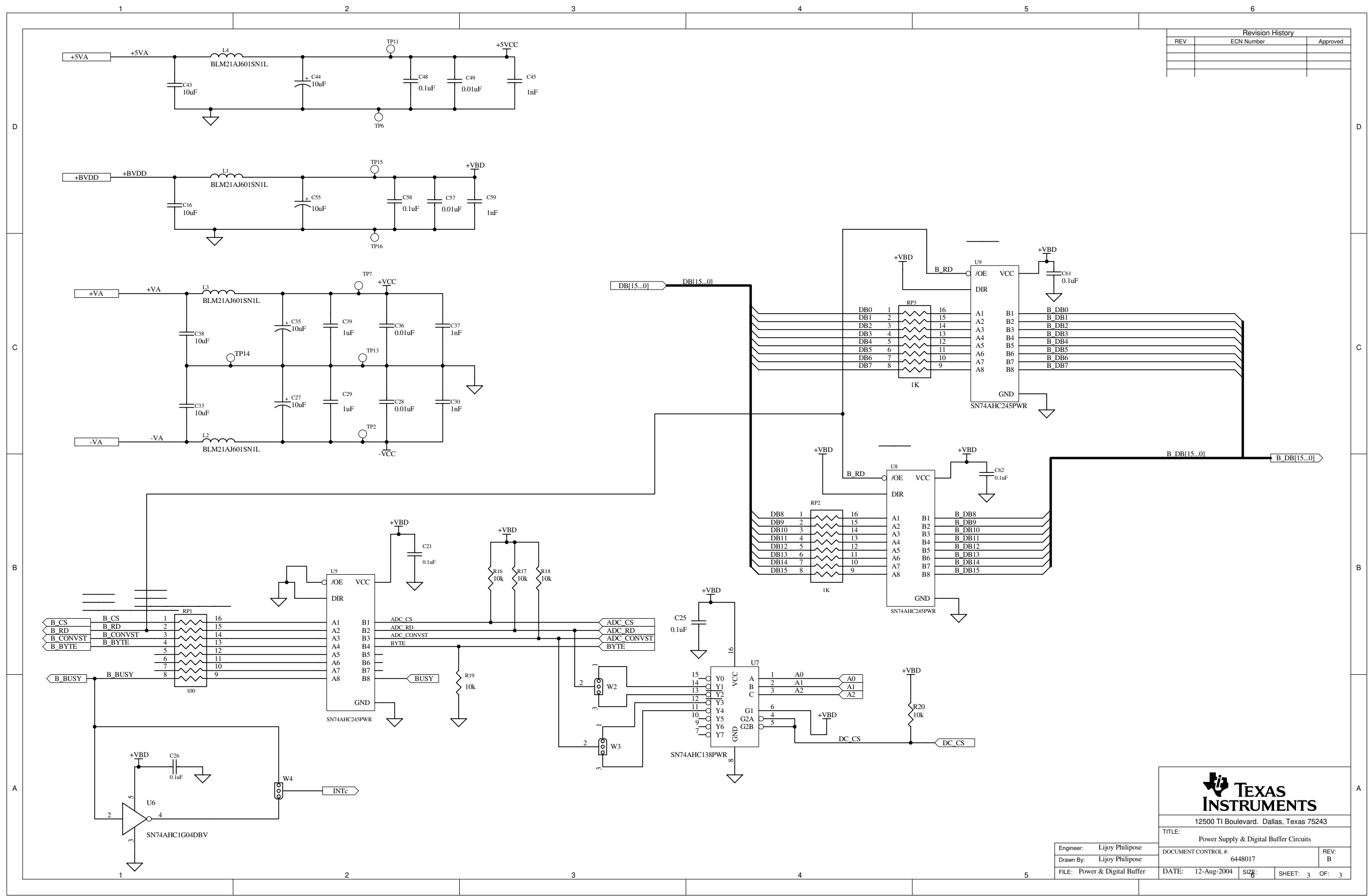


12500 TI Boulevard, Dallas, Texas 75243

TITLE: ADS8337EVM Analog Circuits

Engineer: Lijoy Philipose	DOCUMENT CONTROL #: 6448017	REV: B
Drawn By: Lijoy Philipose	DATE: 12-Aug-2004	SIZE: SHEET: 2 OF: 3
FILE: Analog-to-Digital Converter		

Revision History		
REV	ECN Number	Approved



Engineer: Lijoy Philipose	DOCUMENT CONTROL #: 6448017	REV: B
Drawn By: Lijoy Philipose	DATE: 12-Aug-2004	SIZE: 6
FILE: Power & Digital Buffer	SHEET: 3	OF: 3