

PART NO.	A98243-001	REV	ECO	DATE	APP
		A	104984	11-01-18	HV

MATERIALS

HOUSING:

ALUMINUM 6061, NICKEL PLATED
(500 MICRINCHES MINIMUM) PER
SAE-AMS-2404

INSULATOR & CAP:

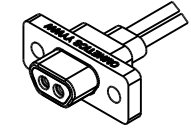
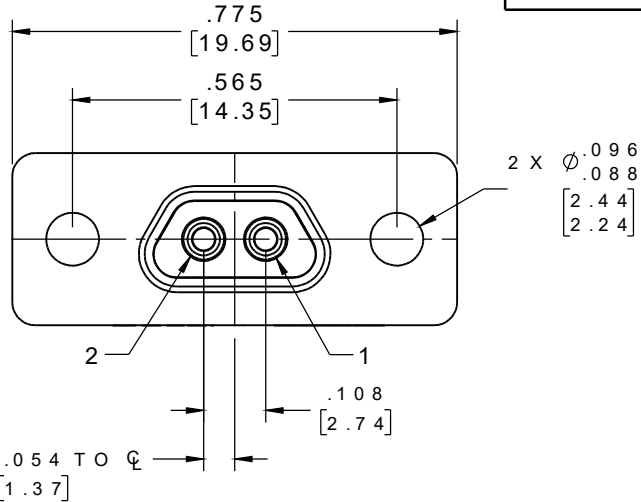
PPS PER MIL-M-24519, TYPE
GST 40F

CONTACT:

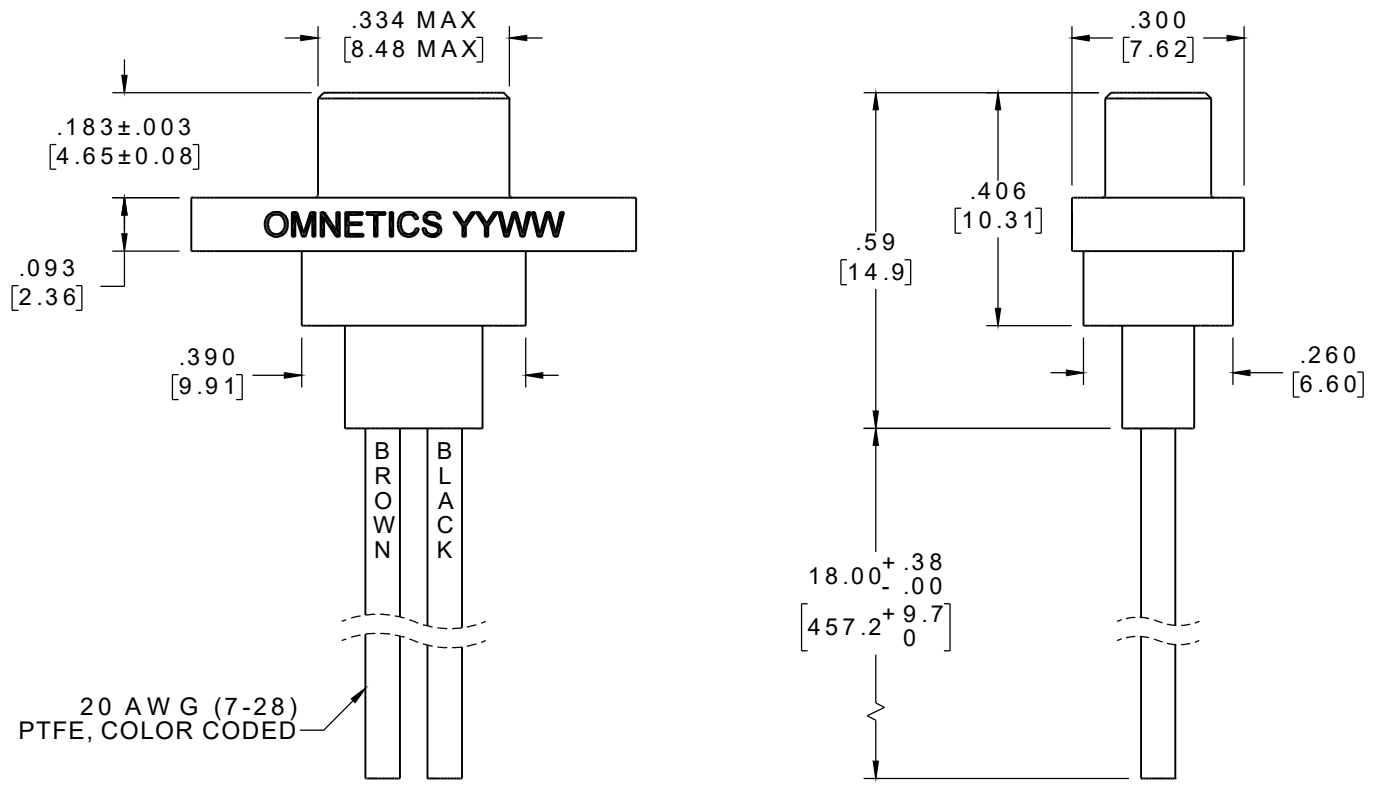
COPPER ALLOY PER SAE-AS39029
GOLD PLATED PER ASTM B488,
(HARD GOLD) TYPE II, CODE C
CLASS 1.27

WIRE:

NEMA HP3 TYPE E, COLOR CODED
IAW MIL-STD-681, SYSTEM 1,
USING TEN SOLID REPEATING
COLORS



ACTUAL SIZE
EXCLUDING WIRE LENGTH



CONTACT #	COLOR
1	BLACK
2	BROWN

20 AWG (7-28)
PTFE, COLOR CODED

NOTE:

DIMENSIONS IN [] ARE IN
MILLIMETERS UNLESS
OTHERWISE NOTED AND ARE
FOR REFERENCE ONLY

MMDP /S/DW	THIRD ANGLE	THIS DRAWING CONTAINS CONFIDENTIAL AND PROPRIETARY INFORMATION WHICH IS THE PROPERTY OF OMNETICS CONNECTOR CORP. THIS DOCUMENT MAY NOT, IN WHOLE OR IN PART, BE DUPLICATED, OR DISCLOSED FOR ANY PURPOSE, WITHOUT WRITTEN PERMISSION FROM OMNETICS CONNECTOR CORP.		OMNETICS CONNECTOR CORPORATION 7260 COMMERCE CIRCLE EAST MINNEAPOLIS, MN 55432 WWW.OMNETICS.COM	CAGE CODE 61873	
	-TOLERANCES- UNLESS OTHERWISE NOTED DIMENSIONS IN INCHES	DFTM. STN	DATE 10-26-18		TITLE: (2-0) CONTACT PLUG HYBRID POWER MICRO-D CONNECTOR	DWG NO. A98243-001
	2 PL DEC ± .01	CHK'D.	DATE		SHEET 1 OF 1	REV A
	3 PL DEC ± .005	APP'D.	DATE		SCALE: 3:1	