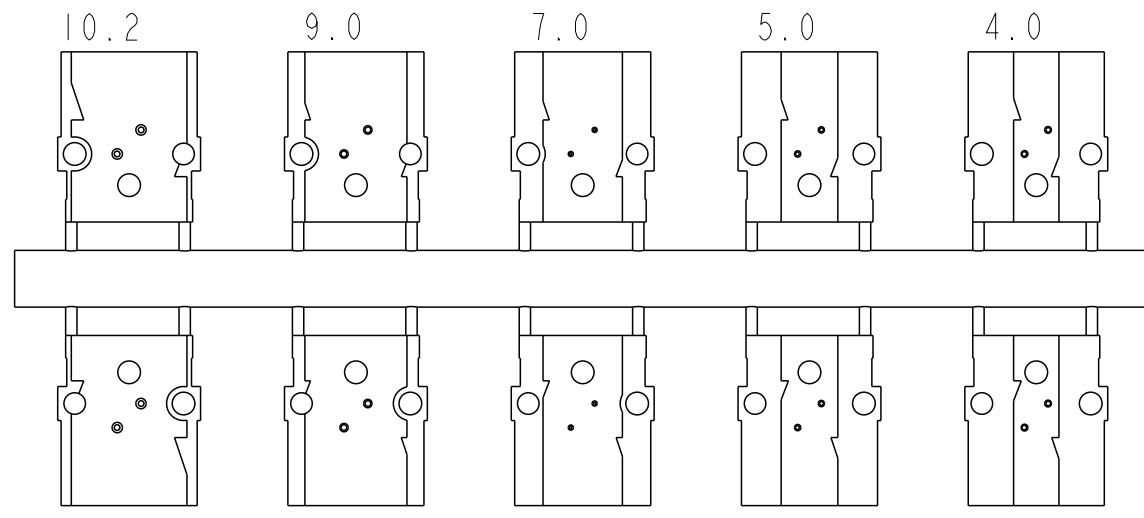
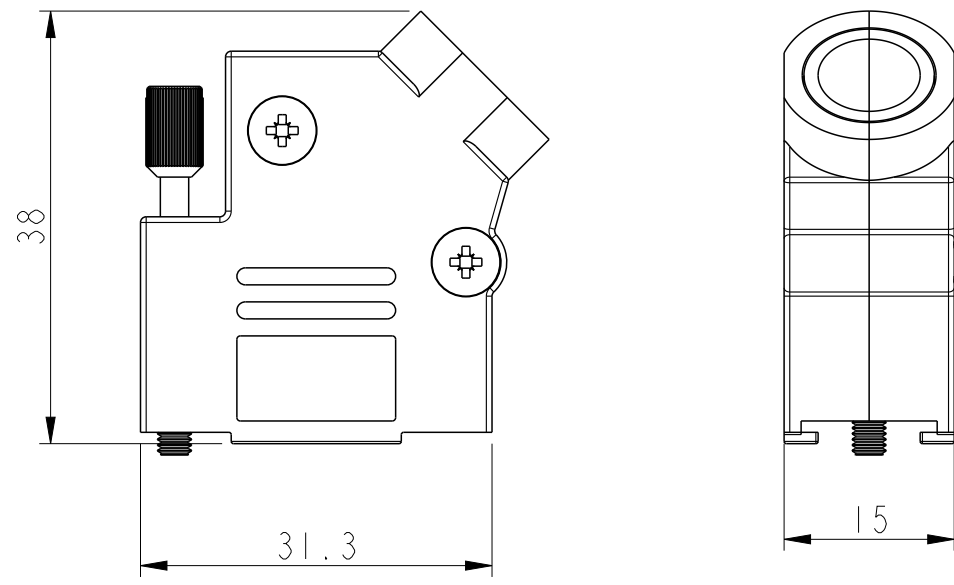
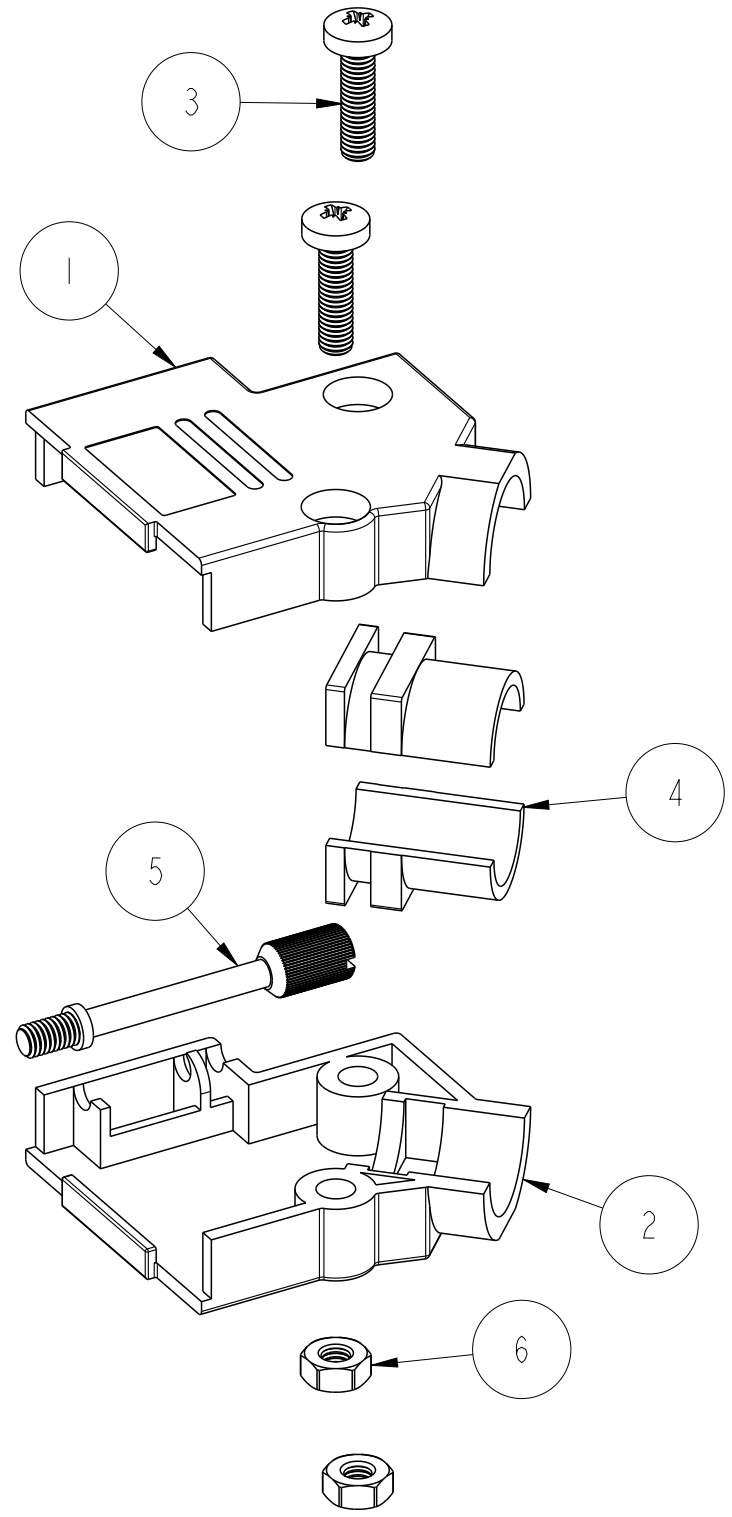


PART NUMBER	PACK	HOOD SIZE
8655AZES2A11KLF	KIT	09



GROMMET SET

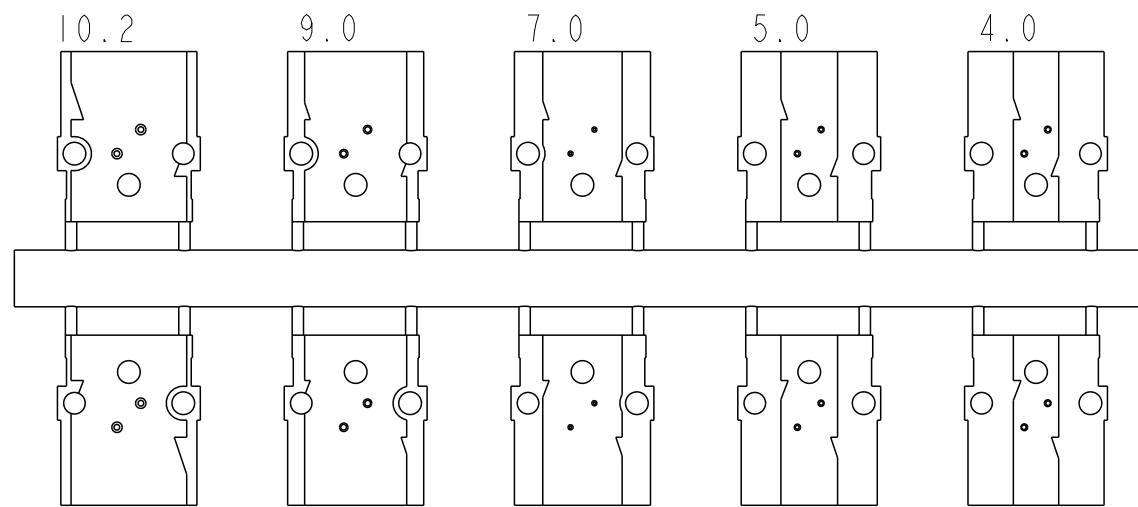
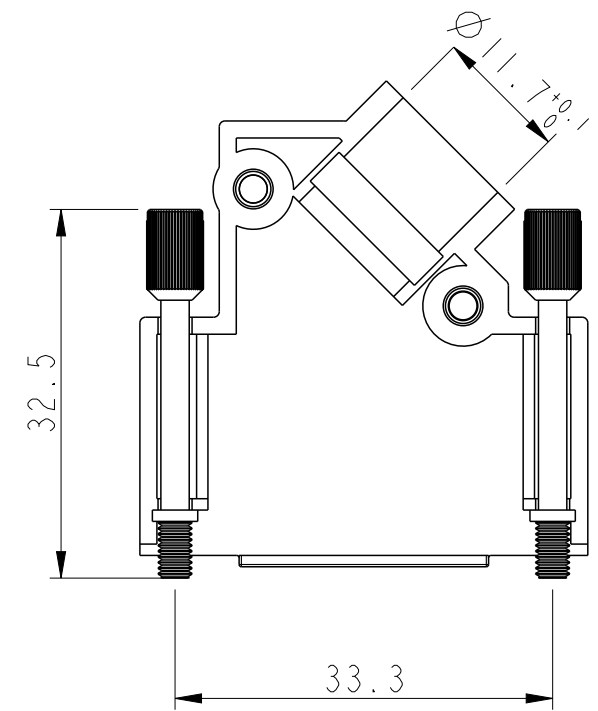
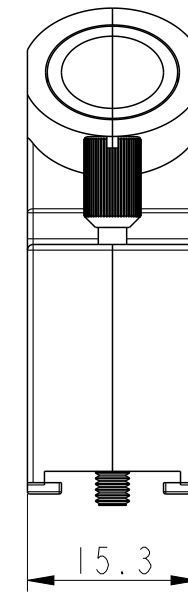
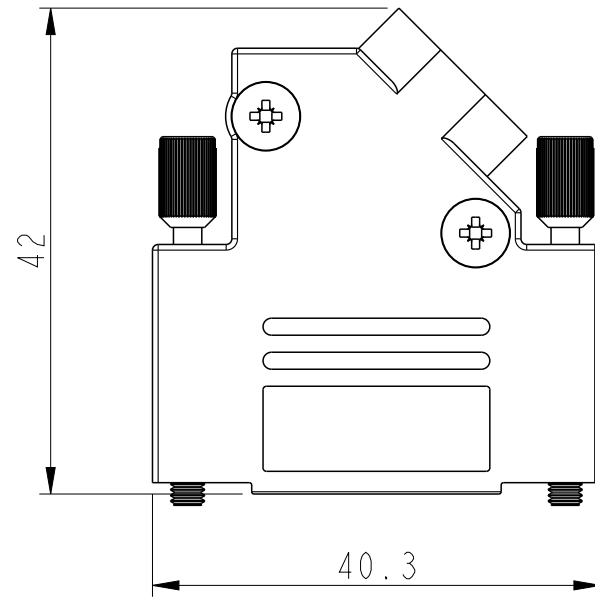
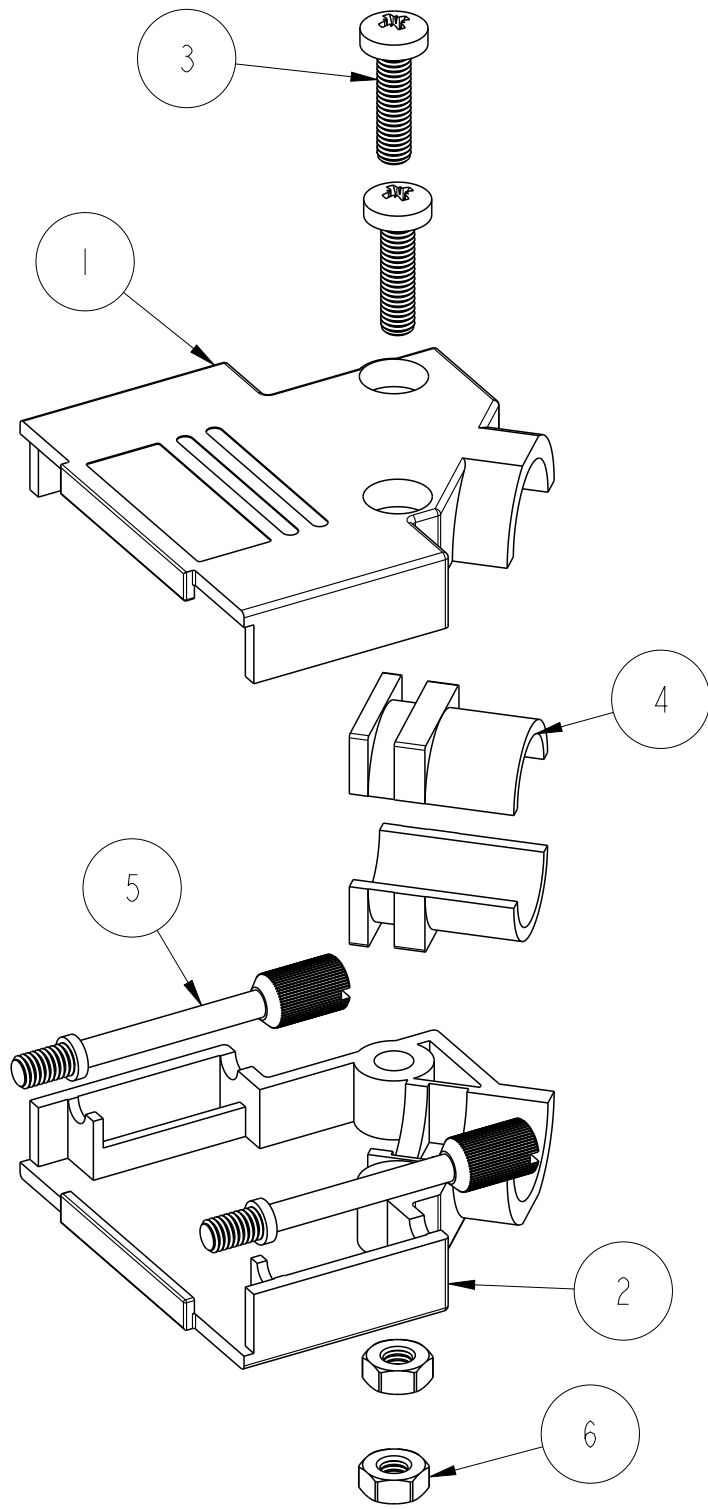
NOTES: (FOR EVERY SIZES)
 1- OPERATING TEMPERATURE: -40°C TO +120°C
 2- INDIVIDUAL KITS SEALED IN PLASTIC COVER IN UNASSEMBLED FORM.
 BOM AS SHOWN IN TABLE

RoHS INFORMATION:
 - THE LF PRODUCT MEETS EUROPEAN UNION DIRECTIVES AND OTHER COUNTRY REGULATIONS AS DESCRIBED IN GS+22-009
 - THE PRODUCT IS NOT INTENDED TO BE EXPOSED TO A MANUFACTURING SOLDER PROCESS

ITEM NO.	QTY.	PART DESCRIPTION
1	1	D45PK09-UPPER COVER
2	1	D45PK09-LOWER COVER
3	2	M3X11.5 SCREW
4	1	D45ZK-D2 GROMMET SET
5	1	UNC4-40x32.5 JACKSCREW
6	2	M3 NUT

spec ref	-	dr	Dipu Joseph	2020/09/22	projection	mm	size	A3	scale	3:2		
tolerance std	ISO 406 ISO 1101	eng	Detouillon, Da	2020/11/17			ecn no	-	rel level	Released		
TOLERANCES UNLESS OTHERWISE SPECIFIED		chr	-	-								
surface	ISO 1302	appr	Wollin, Severi	2020/11/13	product family	-	rel level	Released				
	linear	0.X	±0.3	Amphenol FCI	title DSUB METALIZED HOOD ANGLED	dwg no 8655AZx2A11KLF	rev A					
		0.XX	±0.10					cat. no.	-	Product - Customer Drw	sheet 1 of 4	
	angular	0°	±2°									

PART NUMBER	PACK	HOOD SIZE
8655AZAS2A11KLF	KIT	15

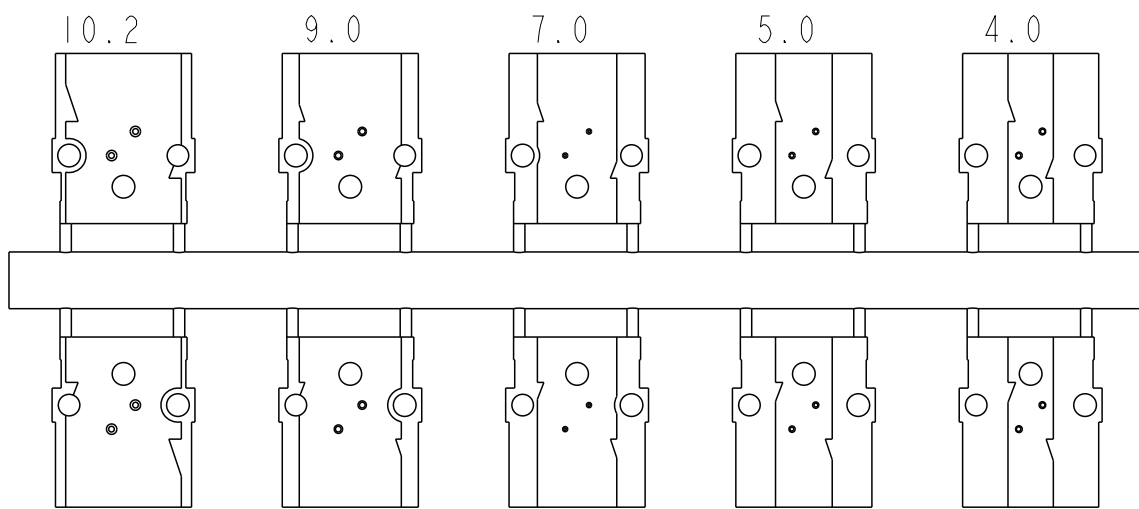
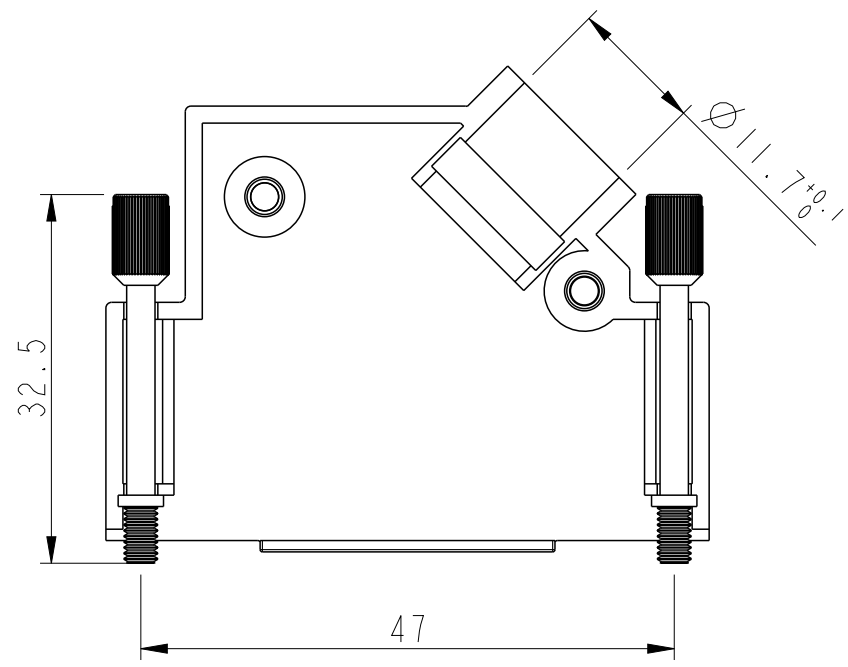
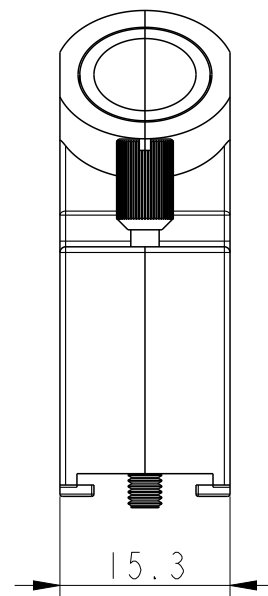
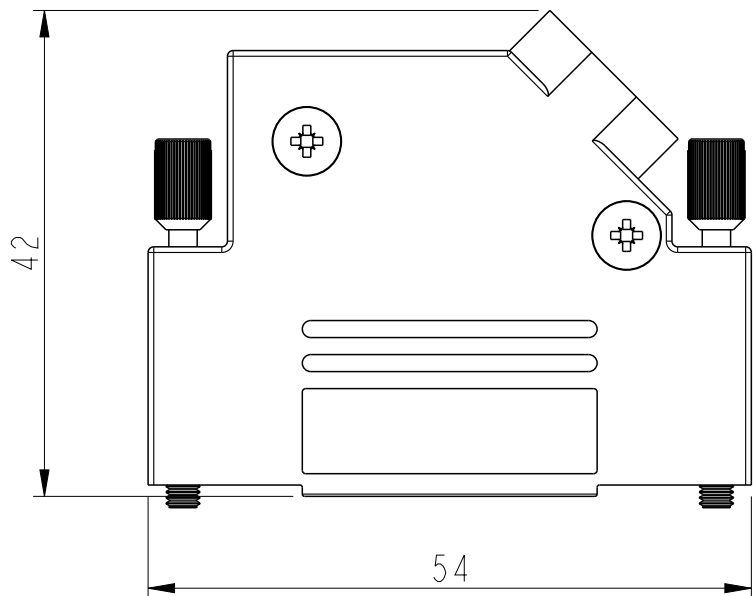
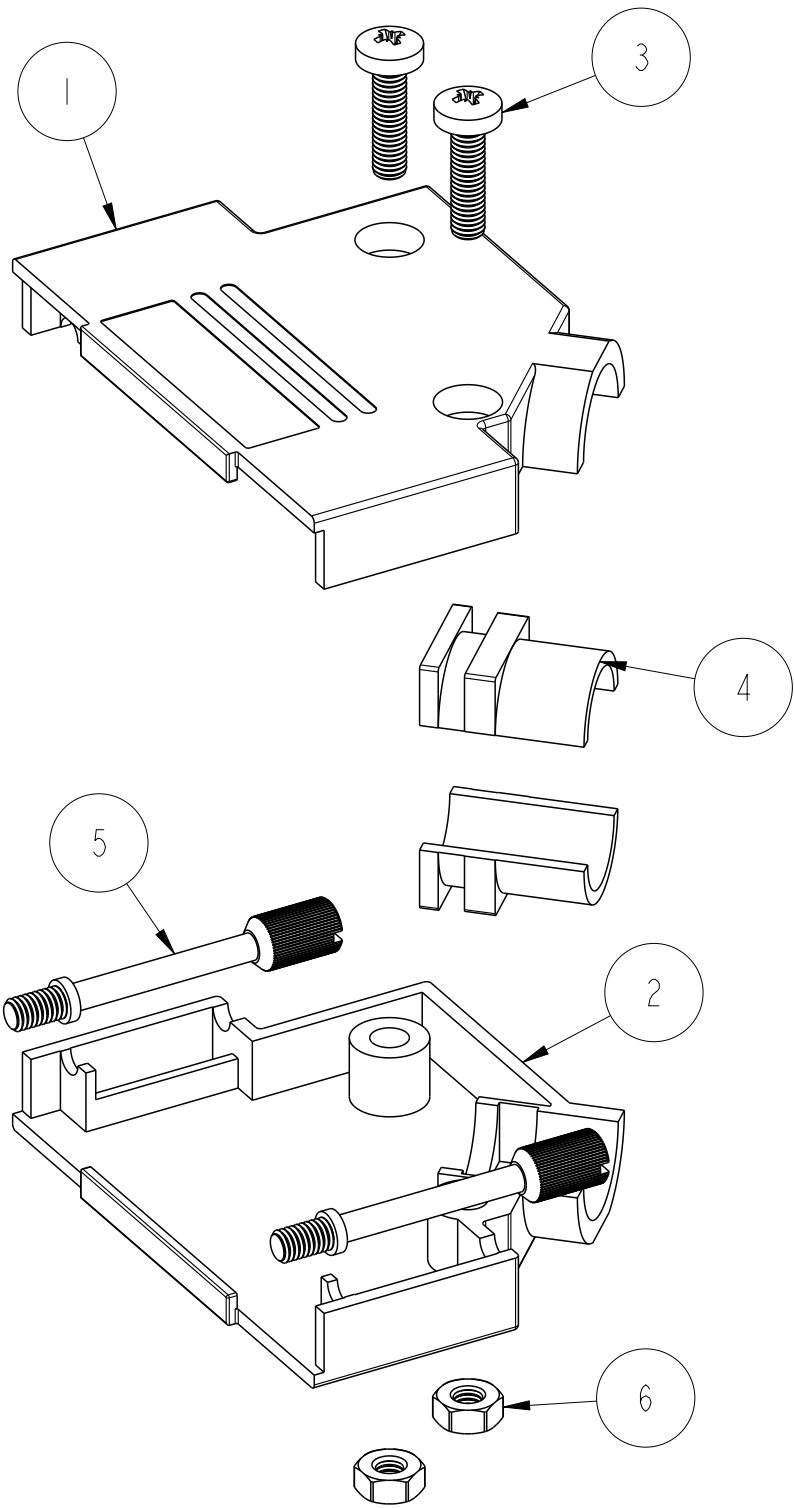


GROMMET SET

ITEM NO.	QTY.	PART DESCRIPTION
1	1	D45PK15-UPPER COVER
2	1	D45PK15-LOWER COVER
3	2	M3X11.5 SCREW
4	1	D45ZK-D2 GROMMET SET
5	2	UNC4-40x32.5 JACKSCREW
6	2	M3 NUT

spec ref	-	dr	Dipu Joseph	2020/09/22	projection	mm	size	A3	scale	3:2	
tolerance std	ISO 406 ISO 1101	eng	Detouillon, Da	2020/11/17			ecn no	-	rel level	Released	
TOLERANCES UNLESS OTHERWISE SPECIFIED		chr	-	-							
surface	linear	appr	Wollin, Severi	2020/11/13	product family	-	-		rel level	Released	
ISO 1302	angular	0°	±2°	Amphenol FCI	DSUB METALIZED HOOD ANGLED		dwg no	8655AZx2A11KLF		rev	A
cat. no.					-	Product - Customer Drw			sheet 2 of 4		

PART NUMBER	PACK	HOOD SIZE
8655AZBS2A11KLF	KIT	25



GROMMET SET

ITEM NO.	QTY.	PART DESCRIPTION
1	1	D45PK25-UPPER COVER
2	1	D45PK25-LOWER COVER
3	2	M3X11.5 SCREW
4	1	D45ZK-D2 GROMMET SET
5	2	UNC4-40x32.5 JACKSCREW
6	2	M3 NUT

spec ref	-	dr	Dipu Joseph	2020/09/22	projection	mm	size	A3	scale	1:1
tolerance std	ISO 406 ISO 1101	eng	Detouillon, Da	2020/11/17			ecn no	-	rel level	Released
TOLERANCES UNLESS OTHERWISE SPECIFIED		chr	-	2020/11/13						
surface	linear	0.X	±0.3	Amphenol FCI	title		DSUB METALIZED HOOD ANGLED		dwg no 8655AZxx2A11KLF	rev A
		0.XX	±0.10		-		-			
	angular	0°	±2°		cat. no.		-			
ISO 1302						Product - Customer Drw		sheet 3 of 4		

Amphenol FCI

© 2016 AFCI

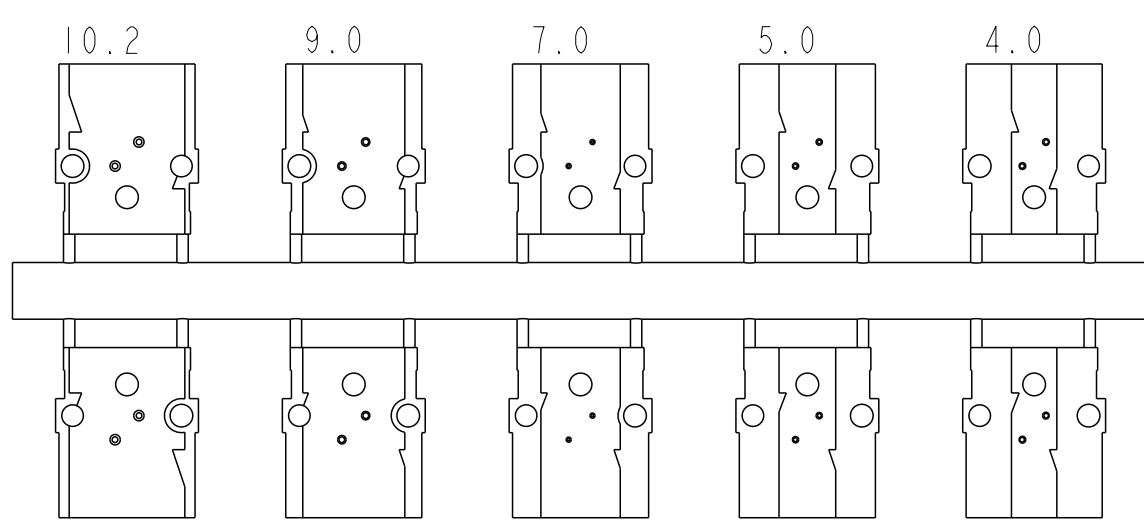
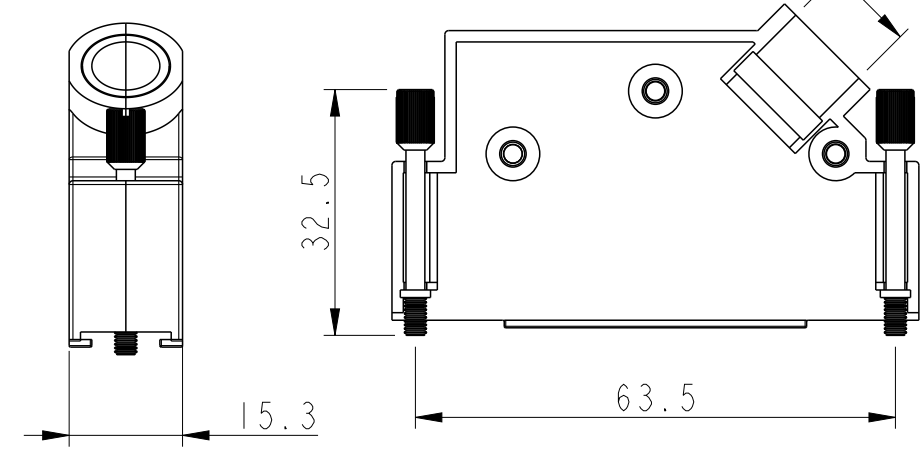
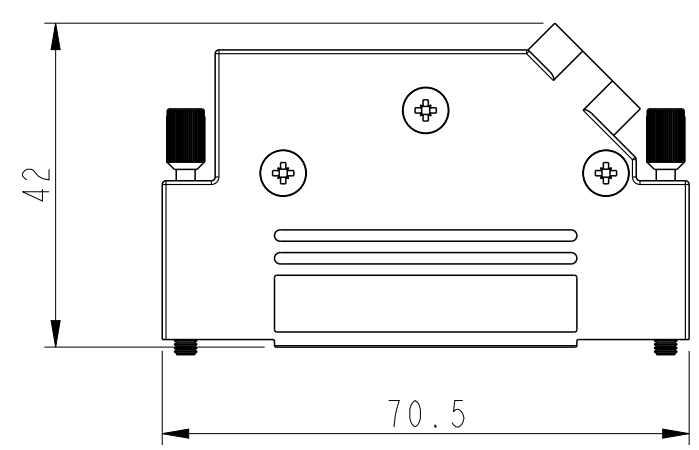
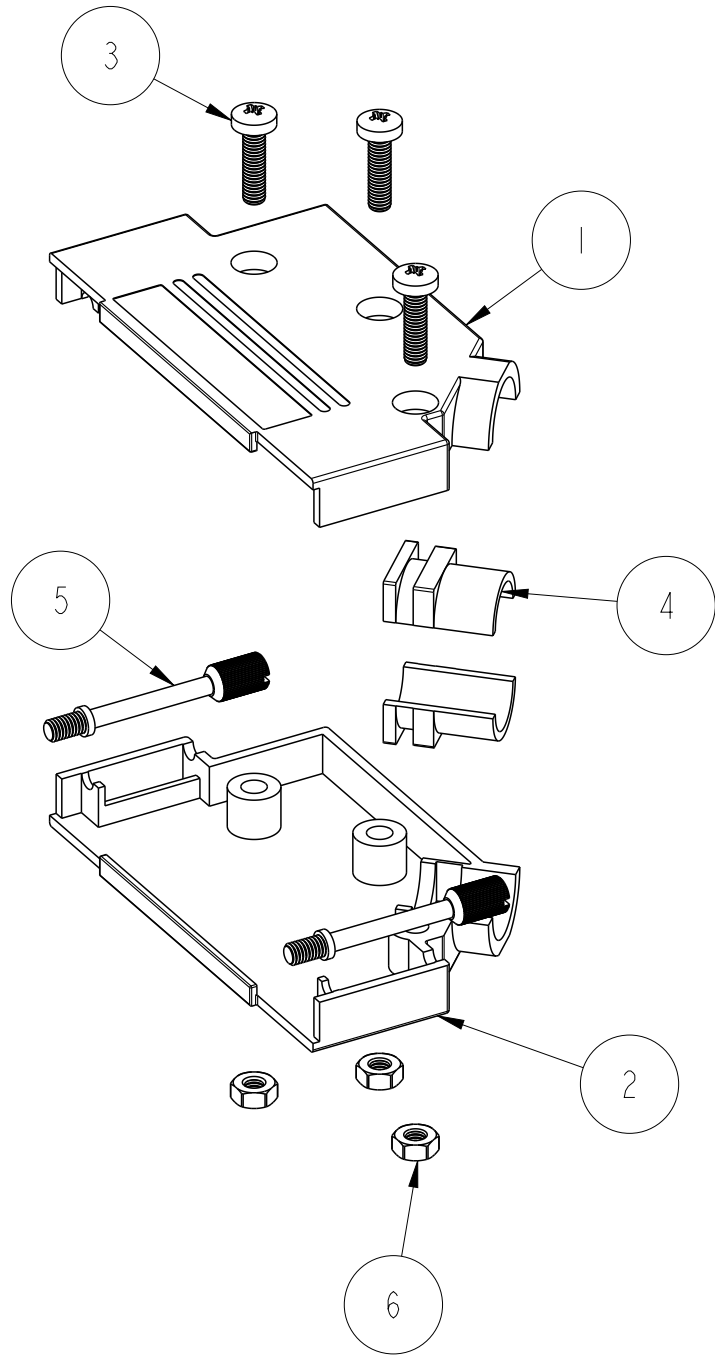
PART NUMBER	PACK	HOOD SIZE
8655AZCS2A11KLF	KIT	37

A

B

C

D



GROMMET SET

ITEM NO.	QTY.	PART DESCRIPTION
1	1	D45PK37-UPPER COVER
2	1	D45PK37-LOWER COVER
3	2	M3X11.5 SCREW
4	1	D45ZK-D2 GROMMET SET
5	2	UNC4-40x32.5 JACKSCREW
6	2	M3 NUT

spec ref	-	dr	Dipu Joseph	2020/09/22	projection	mm	size	A3	scale	1:1
tolerance std	ISO 406 ISO 1101	eng	Detouillon, Da	2020/11/17			ecn no	-	rel level	Released
TOLERANCES UNLESS OTHERWISE SPECIFIED		chr	-	-						
surface	ISO 1302	appr	Wollin, Severi	2020/11/13	product family	-	dwg no	8655AZxx2A11KLF	rev	A
linear	0.X ±0.3 0.XX ±0.10 0.XXX ±0.005	Amphenol FCI	title		DSUB METALIZED HOOD ANGLED		cat. no.	-	Product - Customer Drw	sheet 4 of 4
angular	0° ±2°									

Amphenol FCI

© 2016 AFCI