

## Evaluating the **AD5390/AD5392**: 16-/8-Channel, 14-Bit Voltage Output DACs with On-Chip Reference

### FEATURES

Full featured evaluation board for the [AD5390/AD5392](#)  
 On-board reference  
 Various link options  
 PC control in conjunction with Analog Devices, Inc., system demonstration platform ([SDP](#)), [EVAL-SDP-CB1Z](#)

### EVALUATION KIT CONTENTS

[EVAL-AD5390EBZ/EVAL-AD5392EBZ](#) evaluation board  
 CD includes

- Self-installing software that allows users to control the board and exercise all functions of the device
- Electronic version of the [EVAL-AD5390EBZ/](#)  
[EVAL-AD5392EBZ](#) user guide

### ADDITIONAL EQUIPMENT AND SOFTWARE NEEDED

[EVAL-SDP-CB1Z](#) system demonstration platform, includes a USB cable  
 PC running Windows XP SP2, Windows Vista, or Windows 7 with USB 2.0 port

### ONLINE RESOURCES

#### Documents Needed

[AD5390/AD5391/AD5392](#) data sheet  
[EVAL-AD5390EBZ/EVAL-AD5392EBZ](#) user guide

#### Required Software

AD539x evaluation software (download from the [EVAL-AD5390EBZ/EVAL-AD5392EBZ](#) product page)

#### Design and Integration Files

[Schematics, layout files, bill of materials](#)

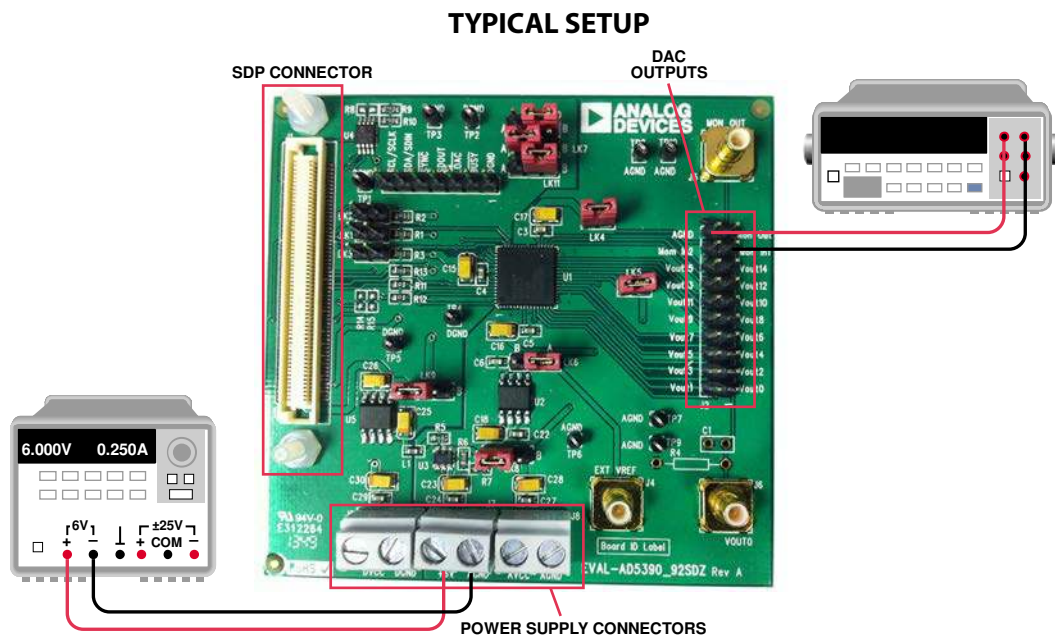


Figure 1.

12215-001

**TABLE OF CONTENTS**

Features .....	1	Input Signals.....	5
Evaluation Kit Contents.....	1	Output Signals .....	5
Additional Equipment and Software Needed.....	1	Link Configuration Options .....	6
Online Resources .....	1	Setup Conditions.....	6
Typical Setup .....	1	Evaluation Board Circuitry .....	7
Revision History .....	2	How to Use the Software .....	8
General Description .....	3	Starting the Software.....	8
Getting Started .....	4	Overview of the Main Window.....	8
Installing the Software .....	4	Evaluation Board Schematics.....	10
Evaluation Board Setup Procedures.....	4	Ordering Information.....	12
Evaluation Board Hardware.....	5	Bill of Materials.....	12
Power Supplies .....	5		

**REVISION HISTORY**

**4/14—Revision 0: Initial Version**

## GENERAL DESCRIPTION

This user guide details the operation of the evaluation board for the [AD5390/AD5392](#) 16-/8-channel, 14-bit voltage output DAC with on-chip reference.

The evaluation board is designed to help customers quickly prototype new [AD5390/AD5392](#) circuits and reduce design time. Each [AD5390/AD5392](#) operates from a single 2.7 V to 5.5 V supply and incorporates an internal 1.25 V/2.5 V reference to attain an output voltage span of 2.5 V or 5 V. An external reference (a 2.5 V reference is provided on the evaluation board) can also be used to attain an output from 0 V to  $V_{REF}$ .

Full data on the [AD5390/AD5392](#) can be found in the [AD5390/AD5391/AD5392](#) data sheet, available from Analog

Devices, and should be consulted in conjunction with this user guide when using the evaluation board.

The evaluation board interfaces to the USB port of a PC via the [EVAL-SDP-CB1Z](#) board ([SDP-B](#) controller board), which is available for order on the Analog Devices website at [www.analog.com](http://www.analog.com). Software is supplied with the evaluation board to allow the user to program the [AD5390/AD5392](#). Only the SPI interface is supported by the software.

The evaluation board can be used without the [SDP-B](#) controller board. Digital control signals can be applied via Connector J3, and power supplies can be connected to the J8 and J9 connectors.

## GETTING STARTED

### INSTALLING THE SOFTWARE

The evaluation kit for the [AD5390/AD5392](#) includes self-installing software on a CD. The software is compatible with Windows® XP, Windows Vista (32-bit version), and Windows 7 (32- and 64-bit versions). The software must be installed before connecting the [SDP](#) board to the USB port of the PC to ensure that the [SDP](#) board is recognized when it is connected to the PC.

To install the software, take the following steps:

1. Start the Windows operating system and insert the CD.
2. The installation software should open automatically. If it does not open automatically, run the **setup.exe** file from the CD.

3. After installation is completed, power up the evaluation board as described in the Power Supplies section.
4. Connect the evaluation board to the [SDP](#) board and connect the [SDP](#) board into the PC using the USB cable included in the box.
5. When the software detects the evaluation board, proceed through any dialog boxes that appear to finalize the installation.

### EVALUATION BOARD SETUP PROCEDURES

1. Connect the evaluation board to the [SDP](#) board, and connect the USB cable between the [SDP](#) board and the PC.
2. Power the [SDP](#) and evaluation boards by connecting 6 V to the J3 connector.

## EVALUATION BOARD HARDWARE

### POWER SUPPLIES

To use the evaluation board with the SDP board, a 6 V power supply is required. The supply is connected to Connector J7. Two voltage regulators on the evaluation board generate the 5 V analog and digital supplies. These supplies are applied to the AD5390/AD5392 when the LK8 and LK9 links are in Position A. The digital supply is also used to power the SDP board.

The evaluation board can be used without the SDP board. In this case, Connector J8 is the AV<sub>CC</sub> power supply input, and Connector J9 is the DV<sub>CC</sub> power supply input. The LK8 and LK9 links should be in Position B.

AGND and DGND inputs are provided on the board. The AGND and DGND planes are connected at one location close to the AD5390/AD5392. It is recommended that AGND and DGND not be connected elsewhere in the system to avoid ground loop problems.

All supplies are decoupled to ground using 10 μF tantalum and 0.1 μF ceramic capacitors.

**Table 1. Power Supply Connectors**

Connector Number	Voltage
J7	6 V board positive power supply
J8	Analog power supply, AV <sub>CC</sub>
J9	Digital power supply, DV <sub>DD</sub>

### INPUT SIGNALS

When the SDP board is used to control the AD5390/AD5392 evaluation board, the digital input signals are applied to Connector J1. When the SDP board is not being used, the digital signal should be applied to the 7-way header, J4.

### OUTPUT SIGNALS

The DAC output voltages are available on the 20-way header, J2. VOUT 0 is also available on J6. MON\_OUT is available on J5.

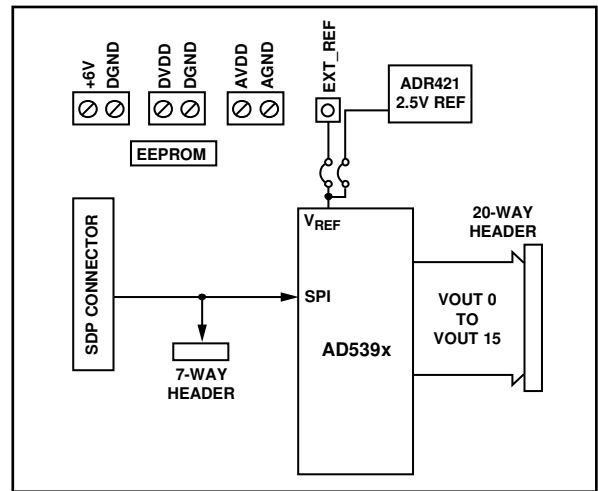


Figure 2. Evaluation Board Block Diagram

12215-002

## LINK CONFIGURATION OPTIONS

There are multiple jumper (LKx) options that must be set correctly to select the appropriate operating setup before you begin using the evaluation board. The functions of these options are outlined in Table 2.

### SETUP CONDITIONS

Care should be taken before applying power and signals to the evaluation board to ensure that all link positions are as required by the operating mode. There are two modes in which to

operate the evaluation board. The evaluation board can be operated in [SDP](#) controlled mode to be used with the [SDP](#) board, or the evaluation board can be used in standalone mode.

The Default Position column of Table 2 shows the default positions in which the links are set when the evaluation board is packaged. When the board is shipped, the evaluation board is set up to operate with the [SDP](#) board ([SDP](#) controlled mode).

**Table 2. Link Functions**

Link No.	Function	Default Position
LK1 to LK3	These links select the logic level for RESET, CLR, and LDAC, respectively. When a link is inserted, the relevant pin is connected to DGND. When the link is removed, the relevant pin is pulled to DV <sub>CC</sub> . Remove these links when using the <a href="#">SDP</a> controller board.	Removed
LK4	This link selects the input source for the MON_IN 1 pin. When the link is inserted, AV <sub>CC</sub> is the input source. When the link is removed, any voltage connected to Pin 17 of Connector J2 is the input source.	Inserted
LK5	This pin selects the input source for the MON_IN 2 pin. When the link is inserted, the reference voltage, V <sub>REF</sub> , is the input source. When the link is removed, any voltage connected to Pin 18 of Connector J2 is the input source.	Inserted
LK6	This link selects the source for the REFOUT/REFIN pin. In Position A, an external reference source can be connected to Connector J4. This option should also be used if the <a href="#">AD5390</a> or <a href="#">AD5392</a> internal is being used. In Position B, the reference source comes from the <a href="#">ADR421</a> 2.5 V reference.	B
LK7	This link selects the SPI or I <sup>2</sup> C interface mode of the <a href="#">AD5390/AD5392</a> . Position A selects the SPI interface mode. Select this option when the evaluation board is used with the <a href="#">SDP</a> controller board. Position B selects the I <sup>2</sup> C interface mode.	A
LK8	This link selects the source of the AV <sub>CC</sub> supply. Position A selects a 5 V supply from the <a href="#">ADP3331</a> (U3). Position B selects the external power supply connected to J8.	A
LK9	This link selects the source of the DV <sub>CC</sub> supply. Position A selects a 5 V supply from the <a href="#">ADP3367</a> (U5). Position B selects the external power supply connected to J9.	A
LK10	This link sets the logic level of the DCEN/AD1 pin and is used in conjunction with LK7. When LK7 is in Position A, LK10 enables (Position A) or Disables (Position B) daisy-chain mode. Select Position B when using the <a href="#">SDP</a> board. When LK7 is in Position B, LK10 sets the logic level for the A1 I <sup>2</sup> C address bit.	B
LK11	This link sets the logic level of the PD pin. Position A puts the <a href="#">AD5390/AD5392</a> into power-down mode. Position B puts the <a href="#">AD5390/AD5392</a> into normal operating mode.	B

## EVALUATION BOARD CIRCUITRY

This evaluation board allows the function and performance of the [AD5390/AD5392](#) to be easily tested. The evaluation board contains two voltage regulators that generate the analog and digital power supplies and that also power the SDP board if it is connected. The two regulators are powered via a 6 V supply attached to Connector J7. Alternatively, separate analog and digital supplies can be attached via Connectors J8 and J9, respectively.

Control of the [AD5390/AD5392](#) is typically performed by the SDP board, which is attached to Connector J1. The SDP board

allows the software provided with the kit to be used to load register values, set the voltage of the DAC outputs, and write to the control register of the [AD5390/AD5392](#). When the SDP board is not required, the control signals can be applied to the [AD5390/AD5392](#) by connecting them to the relevant pins on Connector J3.

In addition to the on-chip reference of the [AD5390/AD5392](#), an external 2.5 V reference is also provided and can be connected to the REFOUT/REFIN pin of the [AD5390/AD5392](#) using Link LK6.

The DAC output voltages are available on the 20-way header, J2.

## HOW TO USE THE SOFTWARE

### STARTING THE SOFTWARE

To run the program, do the following:

3. Connect the evaluation board to the [SDP](#) board, and connect the USB cable between the [SDP](#) board and the PC.
4. Power the [SDP](#) and evaluation boards by connecting 6 V to the J3 connector.
5. Click **Start > All Programs > Analog Devices > AD539x > AD539x Evaluation Software**. When the software connects to the evaluation board, the message shown in Figure 3 displays.

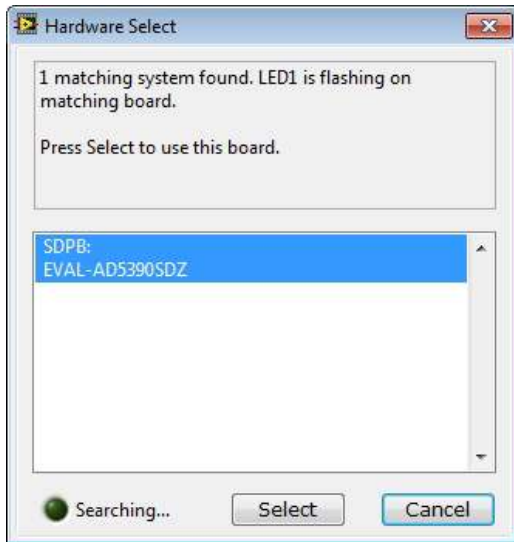


Figure 3. Connection Message

If the [SDP](#) board is not connected to the USB port when the software is launched, a connectivity error displays (see Figure 4 ) and the software continues to operate in

simulation mode. In simulation mode, the user can exercise all the functionality of the [AD5390/AD5392](#). Expected output voltages are displayed based on the input data, and the 24 bits of data that would have been sent to the [AD5390/AD5392](#) are displayed at the bottom right of the screen.



Figure 4. Connectivity Error

### OVERVIEW OF THE MAIN WINDOW

The main window of the [AD5390/AD5392](#) evaluation software is shown in Figure 5. The **DAC Registers** tab allows the X, M, and C registers of individual DACs to be programmed. LDAC is high by default. Click **Pulse LDAC** to update the outputs. The software displays the expected output voltages based on the register contents and the voltage reference value.

The **Control & Special Function Registers** tab is shown in Figure 6. This tab allows the user to select the functions contained in the control register of the [AD5390/AD5392](#). It also allows control of the LDAC and CLR pins.

The user can reset the [AD5390/AD5392](#) by selecting a **Hardware Reset** or **Software Reset** from the **File** menu.



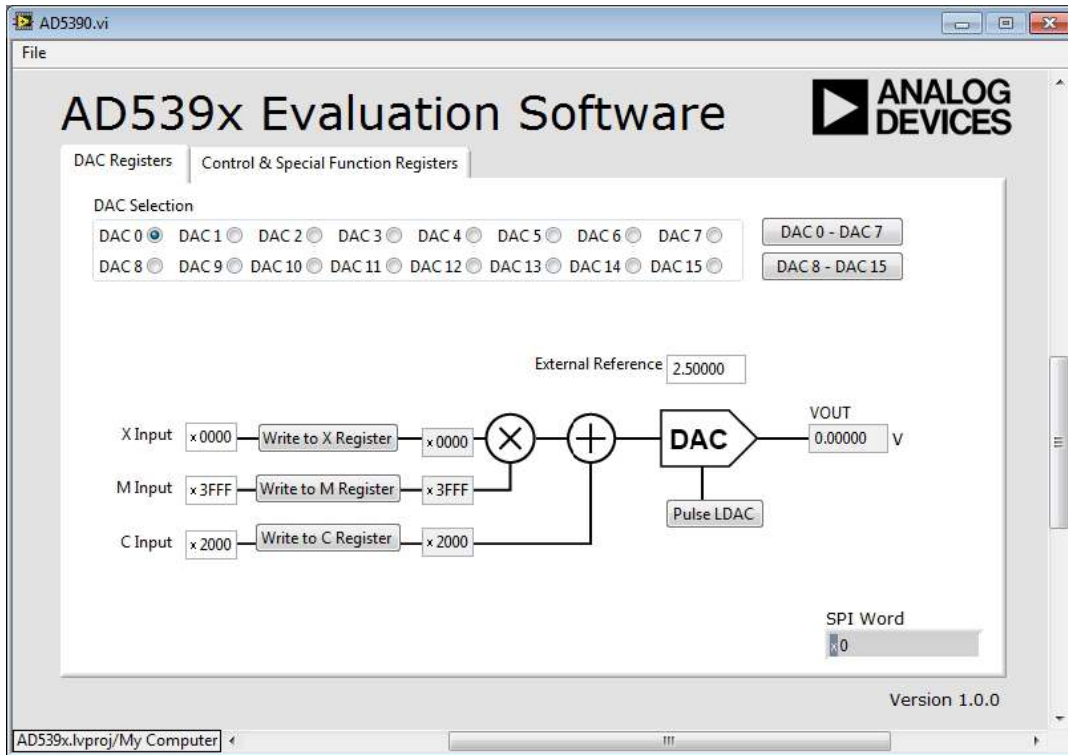


Figure 5. Main Window, DAC Registers Tab

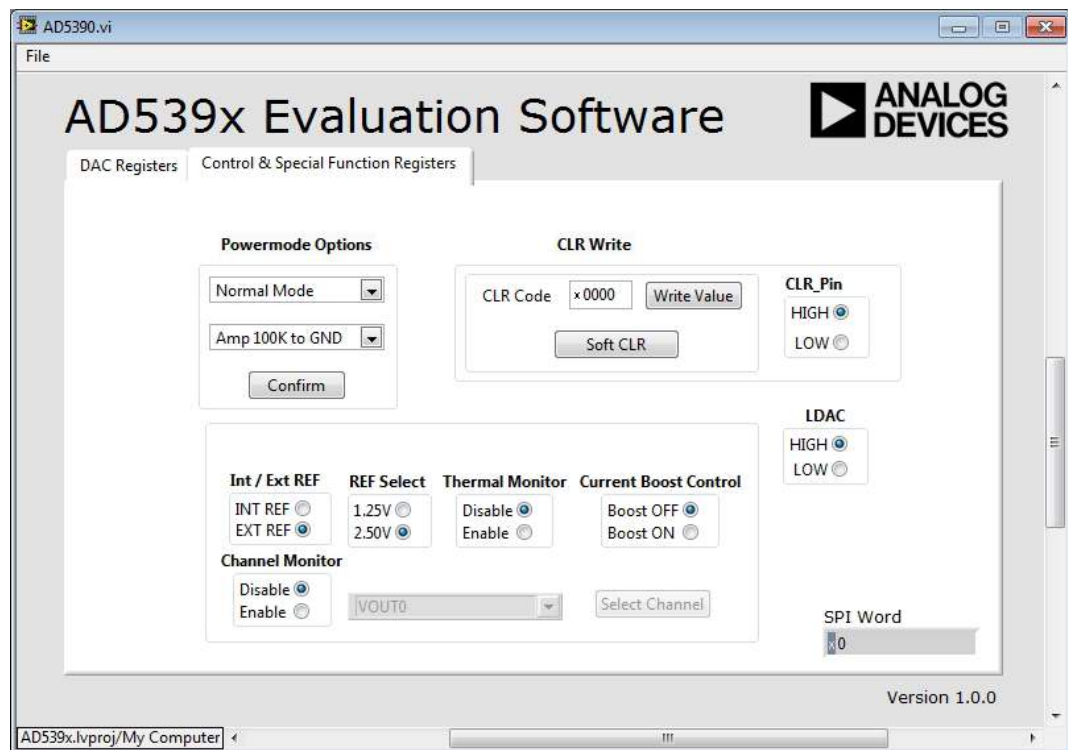


Figure 6. Main Window, Control & Special Function Registers Tab

EVALUATION BOARD SCHEMATICS

1215-007

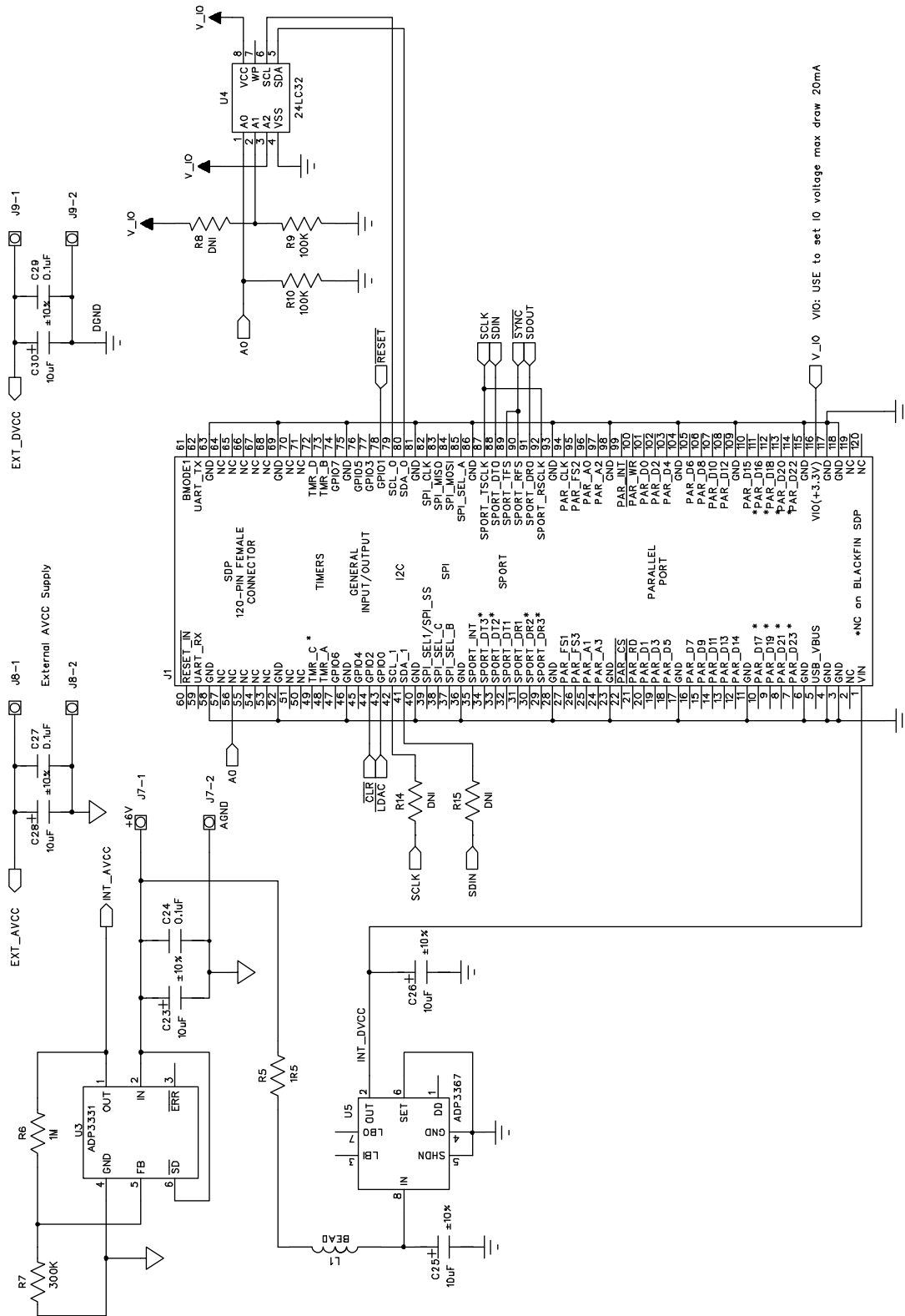
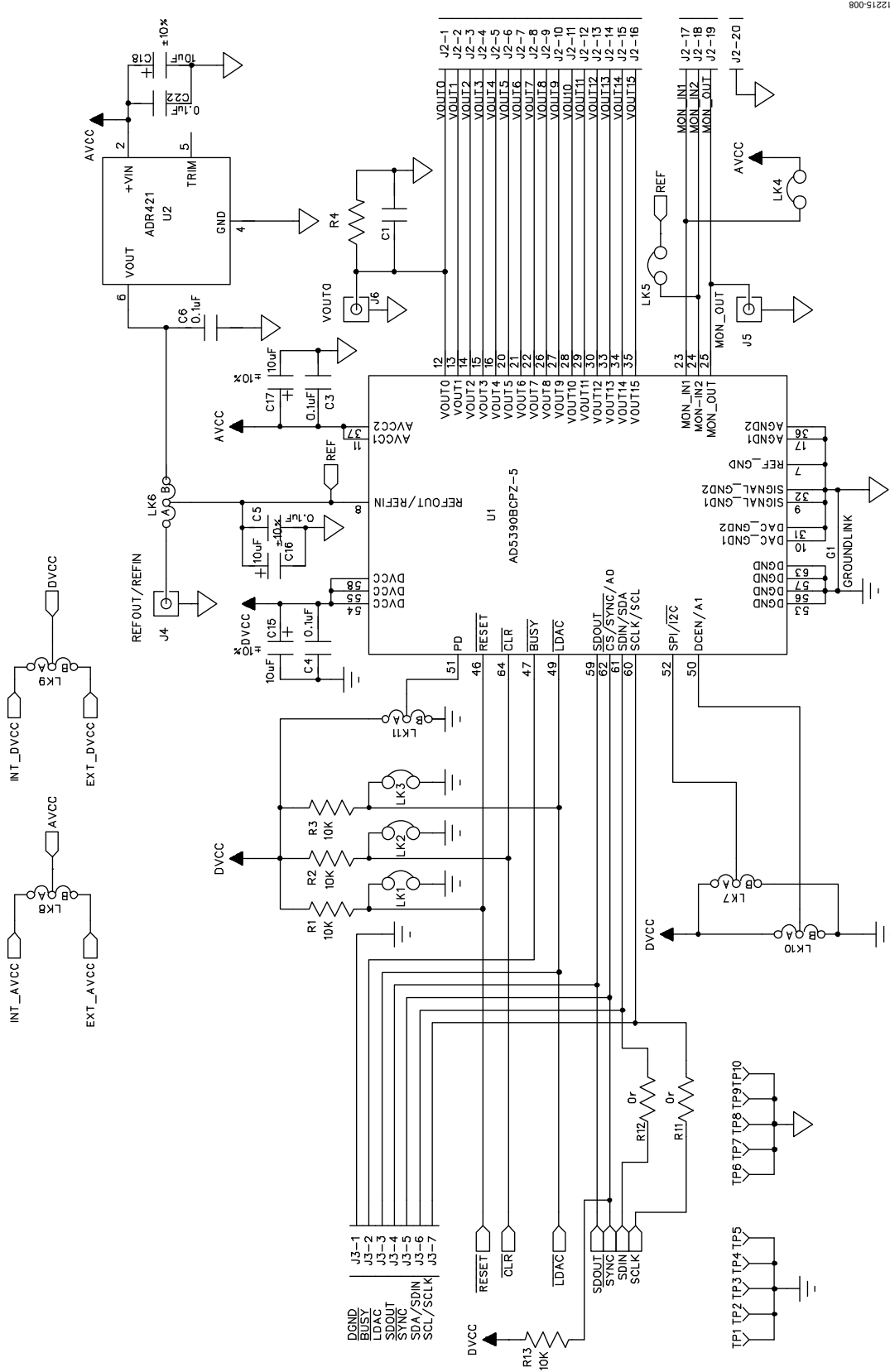


Figure 7. AD5390/AD5392 Schematic (Page 1 of 2)



12215-008

SPI / I2C Interface

Figure 8. AD5390/AD5392 Schematic (Page 2 of 2)

## ORDERING INFORMATION

### BILL OF MATERIALS

Table 3. EVAL-AD5390EBZ/EVAL-AD5392EBZ Bill of Materials

Qty	Reference Designator	Description	Supplier/Part Number <sup>1</sup>
1	C1	Noninserted through-hole capacitor location	Do not insert
8	C3 to C6, C22, C24, C27, C29	Capacitor, 100 nF, 50 V, 0603	FEC 8820023
9	C15 to C18, C23, C25, C26, C28, C30	Capacitor, Case A, 10 $\mu$ F, 10 V	FEC 197-130
1	J1	120-way female connector, 0.6 mm pitch	FEC 1324660 or Digi-Key H1219-ND
1	J2	20-pin (2 $\times$ 10) header, 0.1" pitch	FEC 1022242
1	J3	7-pin (1 $\times$ 7) header, 0.1" pitch	FEC 1022257
3	J4 to J6	50 $\Omega$ straight SMB jack	FEC 1111349
3	J7 to J9	2-pin terminal block (5 mm pitch)	FEC 151789
1	L1	Ferrite bead	Digi-Key 490-1024-1-ND
5	LK1 to LK5	2-pin SIL header, 0.1" pitch, red jumper	FEC 1022247 and FEC 150-411
6	LK6 to LK11	3-pin SIL header, 0.1" pitch, red jumper	FEC 1022248 and FEC 150411
4	R1 to R3, R13	SMD resistor 0603	FEC 933-0399
1	R4	Noninserted through-hole resistor location	Do not insert
1	R5	Resistor, 1.5 $\Omega$ , 5%, 0.063 W, 0603	FEC 9331832
1	R6	Resistor, 1 M $\Omega$ , 1%, 0.063 W, 0603	Digi-Key RMCF1/161MFRCT-ND
1	R7	SMD resistor 0603	Digi-Key 541-300KHCT-ND
3	R8, R14, R15	SMD resistor 0603	Do not insert
2	R9, R10	SMD resistor	FEC 9330402
2	R11, R12	SMD resistor 0603	FEC 933-1662
10	TP1 to TP10	Black test point	FEC 8731128
1	U1	8-/16-channel 14-bit voltage output DAC	<a href="#">AD5392BCPZ-5</a> or <a href="#">AD5390BCPZ-5</a>
1	U2	2.5 V reference	<a href="#">ADR421ARZ</a>
1	U3	Adjustable LDO regulator	<a href="#">ADP3331ARTZ</a>
1	U4	32k I <sup>2</sup> C serial EEPROM	FEC 1331330
1	U5	5 V fixed, adjustable voltage regulator	<a href="#">ADP3367ARZ</a>
2	Screw1, Screw2	Screw, cheese, nylon, M3X10, PK100	FEC 7070597
2	Nut1, Nut2	Nut/washer, nylon, M3, PK100	FEC 7061857

<sup>1</sup> FEC is Farnell Electronics Components.

## NOTES

**NOTES**

**NOTES**

## NOTES

**ESD Caution**

**ESD (electrostatic discharge) sensitive device.** Charged devices and circuit boards can discharge without detection. Although this product features patented or proprietary protection circuitry, damage may occur on devices subjected to high energy ESD. Therefore, proper ESD precautions should be taken to avoid performance degradation or loss of functionality.

**Legal Terms and Conditions**

By using the evaluation board discussed herein (together with any tools, components documentation or support materials, the "Evaluation Board"), you are agreeing to be bound by the terms and conditions set forth below ("Agreement") unless you have purchased the Evaluation Board, in which case the Analog Devices Standard Terms and Conditions of Sale shall govern. Do not use the Evaluation Board until you have read and agreed to the Agreement. Your use of the Evaluation Board shall signify your acceptance of the Agreement. This Agreement is made by and between you ("Customer") and Analog Devices, Inc. ("ADI"), with its principal place of business at One Technology Way, Norwood, MA 02062, USA. Subject to the terms and conditions of the Agreement, ADI hereby grants to Customer a free, limited, personal, temporary, non-exclusive, non-sublicensable, non-transferable license to use the Evaluation Board FOR EVALUATION PURPOSES ONLY. Customer understands and agrees that the Evaluation Board is provided for the sole and exclusive purpose referenced above, and agrees not to use the Evaluation Board for any other purpose. Furthermore, the license granted is expressly made subject to the following additional limitations: Customer shall not (i) rent, lease, display, sell, transfer, assign, sublicense, or distribute the Evaluation Board; and (ii) permit any Third Party to access the Evaluation Board. As used herein, the term "Third Party" includes any entity other than ADI, Customer, their employees, affiliates and in-house consultants. The Evaluation Board is NOT sold to Customer; all rights not expressly granted herein, including ownership of the Evaluation Board, are reserved by ADI. CONFIDENTIALITY. This Agreement and the Evaluation Board shall all be considered the confidential and proprietary information of ADI. Customer may not disclose or transfer any portion of the Evaluation Board to any other party for any reason. Upon discontinuation of use of the Evaluation Board or termination of this Agreement, Customer agrees to promptly return the Evaluation Board to ADI. ADDITIONAL RESTRICTIONS. Customer may not disassemble, decompile or reverse engineer chips on the Evaluation Board. Customer shall inform ADI of any occurred damages or any modifications or alterations it makes to the Evaluation Board, including but not limited to soldering or any other activity that affects the material content of the Evaluation Board. Modifications to the Evaluation Board must comply with applicable law, including but not limited to the RoHS Directive. TERMINATION. ADI may terminate this Agreement at any time upon giving written notice to Customer. Customer agrees to return to ADI the Evaluation Board at that time. LIMITATION OF LIABILITY. THE EVALUATION BOARD PROVIDED HEREUNDER IS PROVIDED "AS IS" AND ADI MAKES NO WARRANTIES OR REPRESENTATIONS OF ANY KIND WITH RESPECT TO IT. ADI SPECIFICALLY DISCLAIMS ANY REPRESENTATIONS, ENDORSEMENTS, GUARANTEES, OR WARRANTIES, EXPRESS OR IMPLIED, RELATED TO THE EVALUATION BOARD INCLUDING, BUT NOT LIMITED TO, THE IMPLIED WARRANTY OF MERCHANTABILITY, TITLE, FITNESS FOR A PARTICULAR PURPOSE OR NON-INFRINGEMENT OF INTELLECTUAL PROPERTY RIGHTS. IN NO EVENT WILL ADI AND ITS LICENSORS BE LIABLE FOR ANY INCIDENTAL, SPECIAL, INDIRECT, OR CONSEQUENTIAL DAMAGES RESULTING FROM CUSTOMER'S POSSESSION OR USE OF THE EVALUATION BOARD, INCLUDING BUT NOT LIMITED TO LOST PROFITS, DELAY COSTS, LABOR COSTS OR LOSS OF GOODWILL. ADI'S TOTAL LIABILITY FROM ANY AND ALL CAUSES SHALL BE LIMITED TO THE AMOUNT OF ONE HUNDRED US DOLLARS (\$100.00). EXPORT. Customer agrees that it will not directly or indirectly export the Evaluation Board to another country, and that it will comply with all applicable United States federal laws and regulations relating to exports. GOVERNING LAW. This Agreement shall be governed by and construed in accordance with the substantive laws of the Commonwealth of Massachusetts (excluding conflict of law rules). Any legal action regarding this Agreement will be heard in the state or federal courts having jurisdiction in Suffolk County, Massachusetts, and Customer hereby submits to the personal jurisdiction and venue of such courts. The United Nations Convention on Contracts for the International Sale of Goods shall not apply to this Agreement and is expressly disclaimed.