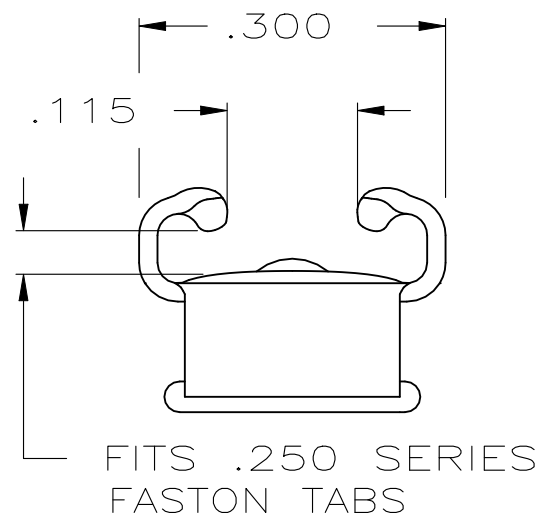
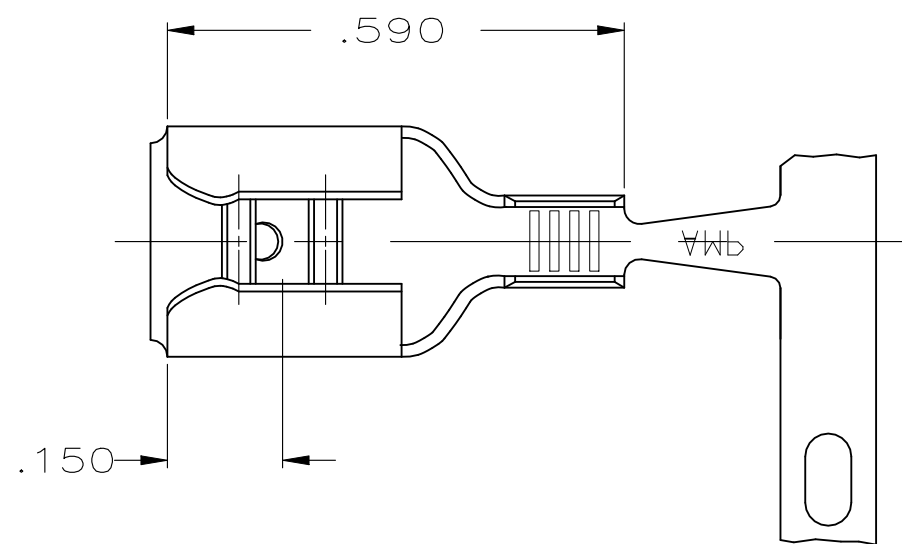
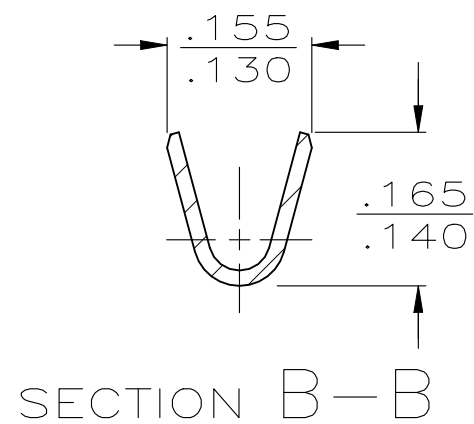


REVISIONS					
P	LTR	DESCRIPTION	DATE	DWN	APVD
	H	REVISED PER ECR-23-179643	19JUL2023	DB	DH

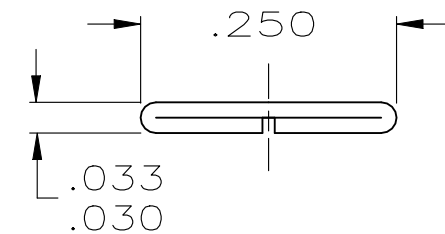
- CONTINUOUS STRIP ON REELS.
- THE GAP ON THE ROLLS TO BE IN CONTACT WITH THE TAB FOR THE LENGTH OF THE ROLL BEHIND THE LEAD-IN.



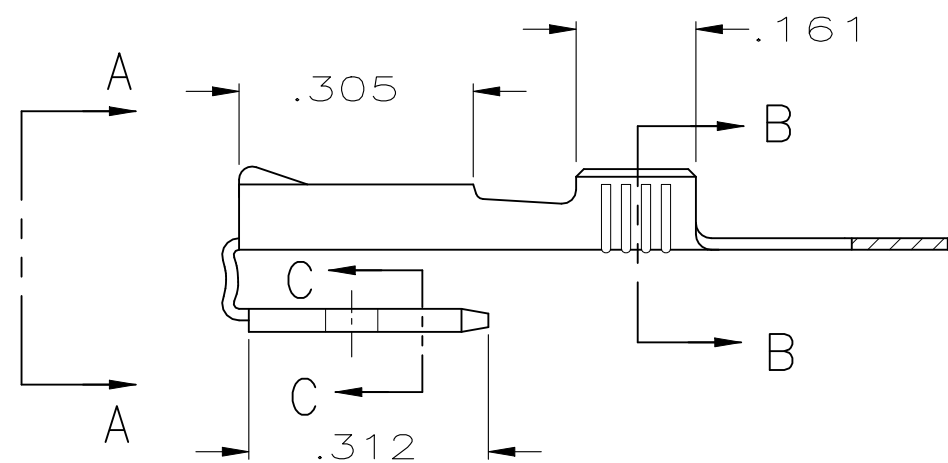
VIEW A-A



SECTION B-B



SECTION C-C



POST-TIN	18-14	.032 ±.001	62276-2
PRE-TIN	18-14	.032 ±.001	62276-1
FINISH	WIRE SIZE	TAB THK.	PART NO

THIS DRAWING IS A CONTROLLED DOCUMENT.		DWN	JR RUTH	5/28/86	TE Connectivity							
DIMENSIONS: INCHES		CHK	G YETTER	5/28/86					.250 SERIES FASTON PIGGY-BACK RECEPTACLE			
		APVD	C MEYERS	5/28/86								
TOLERANCES UNLESS OTHERWISE SPECIFIED:		PRODUCT SPEC			NAME							
0 PLC ± - 1 PLC ± - 2 PLC ± - 3 PLC ± .015 4 PLC ± - ANGLES ± -		APPLICATION SPEC			RESTRICTED TO							
MATERIAL		WEIGHT			SIZE	CAGE CODE	DRAWING NO					
BRASS		0.000000			A3	00779	C-62276	-				
FINISH		CUSTOMER DRAWING			SCALE	SHEET	REV					
SEE TABLE					4:1	1 OF 1	H					