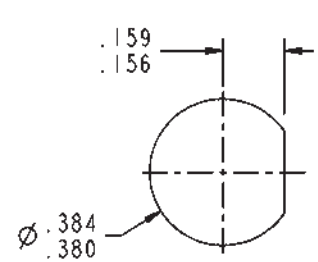


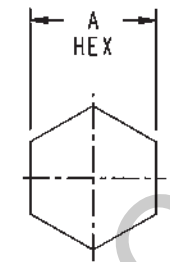
DASH NO	CABLES ACCOMMODATED	A HEX	ASSEMBLE PER
-003	RG-174, 316	.178	TAI-D118
-004	RG-179		
-009	8218, BELDEN YR23023 BELDEN 21-597, ESSEX		
-013	RG-59	.255	
-014	8212, BELDEN		
-025	734A, COMMSCOPE	.178	
-026	735A, COMMSCOPE		
-031	CDT RA7000	.213	

DATA CONTAINED IN THIS DOCUMENT IS PROPRIETARY TO TROMPETER ELECTRONICS INC. AND SHALL NOT BE DISCLOSED, COPIED OR USED FOR PROCUREMENT OR MANUFACTURE WITHOUT EXPRESS WRITTEN PERMISSION.

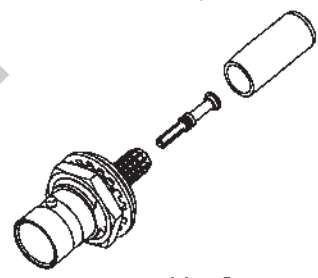
REVISIONS			
REV	DESCRIPTIONS	DATE	APPROVED
J	REVISED PER ECO 16805	1/21/09	WALBY



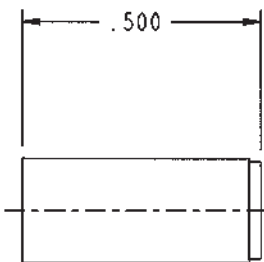
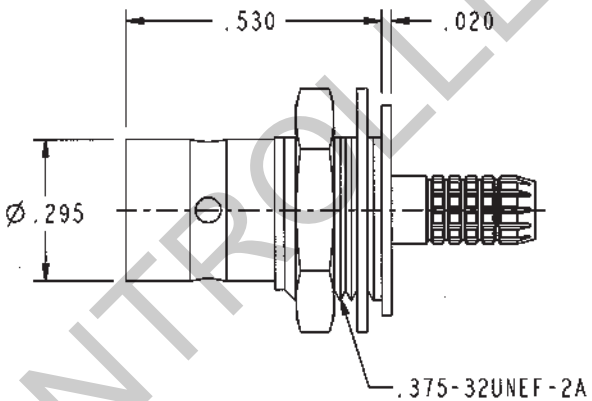
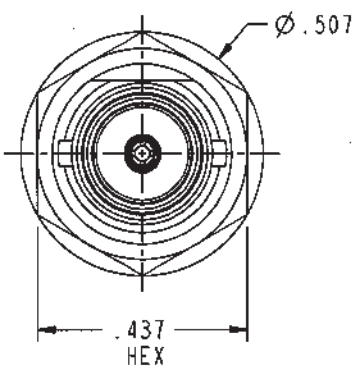
RECOMMENDED PANEL CUT-OUT



RECOMMENDED HEX CRIMP

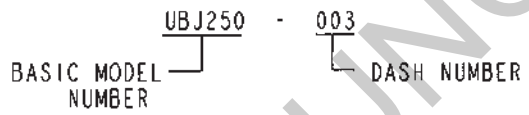


SCALE 1/1



RED INDICATES ORIGINAL

- 5. ALL PACKAGING MUST BE MARKED WITH "Pat. 7,455,542"
- 4. EXAMPLE OF COMPLETE MODEL NUMBER



- 3. 75Ω "MINI BNC" STYLE FULL CRIMP CABLE RECEPTACLE
- 2. ALL COMPONENTS SHOWN ARE SUPPLIED LOOSE

1. FINISH: TFS-1A (NICKEL)

NOTES: UNLESS OTHERWISE SPECIFIED.

INTERPRET DRAWING PER MIL-STD-100. DIMENSIONS ARE IN INCHES AND INCLUDE FINISH THICKNESS UNLESS OTHERWISE SPECIFIED.		TOL: UNLESS SPECIFIED. .XX ± .02 .XXX ± .010 ANGLE ± 1°			
DESIGNED BY: N JOHNSON DATE: 12-2-08	MATERIAL:	TITLE:		UBJ250	
CHECKED BY: JRL DATE: 1-15-09	FINISH:	SIZE: A	CAGE CODE: 14949	DRAWING NO.: 1-0593	REV.: J
MANUFACTURED BY:	APPROVED BY: JRM DATE: 1-15-09	SCALE: 2.5/1	DATE: 4/5/01	SHEET: 1C	DO NOT SCALE DWG
NEXT ASSY:	PROJECT FILE NO.: 1-0593				