



30mm BlackMax, Epoxy Coated Corrosion Resistant Complete Metal Unit Twist-to-Release Operator Non-Illuminated Mushroom Head Cap Small 1.79" (45 mm) Plastic Cap, Yellow 2 Position Maintained, Twist-to-Release with 1 N.O. - 1 N.C. Heavy Duty Contacts, A600/P600 UL Listed, CSA Certified NEMA 1,3,3R,4,4X,12,13 & Automotive Standards

Enclosure	
number of command points	1
delivery state as a kit	No
Actuator	
material of the actuating element	plastic
number of contact modules	1
type of unlocking device	rotate-to-unlatch mechanism
number of switching positions	2
Front ring	
product component front ring	Yes
design of the front ring	standard
material of the front ring	metal
color of the front ring	black
Holder	
material of the holder	metal
General technical data	
product function positive opening	Yes
product component	
• light source	No
surge voltage resistance rated value	4 kV
protection class IP	IP66
• of the terminal	IP20
thermal current	10 A
Auxiliary circuit	
number of NC contacts for auxiliary contacts	1
number of NO contacts for auxiliary contacts	1
operational current at AC-15	
• at 110 V rated value	60 A
• at 230 V rated value	30 A
• at 400 V rated value	15 A
• at 500 V rated value	12 A
Connections/ Terminals	
type of electrical connection	screw-type terminals
tightening torque of the screws in the bracket	20 N·m
tightening torque [lbf·in] with screw-type terminals	8 lbf·in
Ambient conditions	
ambient temperature	
• during operation	-35 ... +70 °C
• during storage	-40 ... +85 °C
Installation/ mounting/ dimensions	

Siemens has decided to exit the Russian market (see here).

<https://press.siemens.com/global/en/pressrelease/siemens-wind-down-russian-business>

Siemens is working on the renewal of the current EAC certificates.

Please contact your local Siemens office on the status of validity of the EAC certification if you intend to import or offer to supply these products to an EAC relevant market (other than the sanctioned EAEU member states Russia or Belarus).

Information on the packaging

<https://support.industry.siemens.com/cs/ww/en/view/109813875>

Information- and Downloadcenter (Catalogs, Brochures,...)

<https://www.siemens.com/ic10>

Industry Mall (Online ordering system)

<https://mall.industry.siemens.com/mall/en/en/Catalog/product?mlfb=US2:52BR8W4A>

Cax online generator

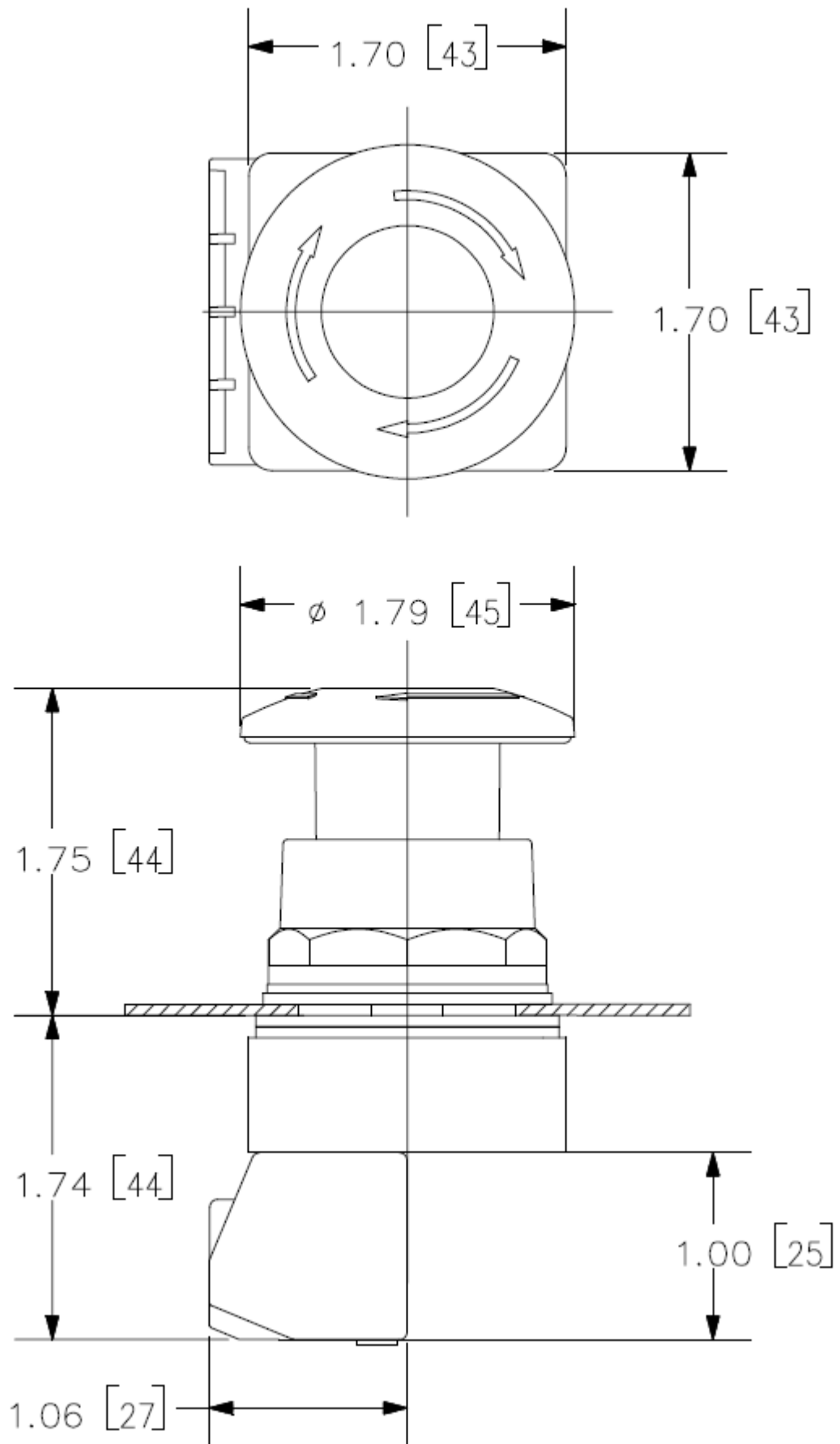
<http://support.automation.siemens.com/WW/CAXorder/default.aspx?lang=en&mlfb=US2:52BR8W4A>

Service&Support (Manuals, Certificates, Characteristics, FAQs,...)

<https://support.industry.siemens.com/cs/ww/en/ps/US2:52BR8W4A>

Image database (product images, 2D dimension drawings, 3D models, device circuit diagrams, EPLAN macros, ...)

http://www.automation.siemens.com/bilddb/cax_de.aspx?mlfb=US2:52BR8W4A&lang=en



last modified:

12/21/2020 