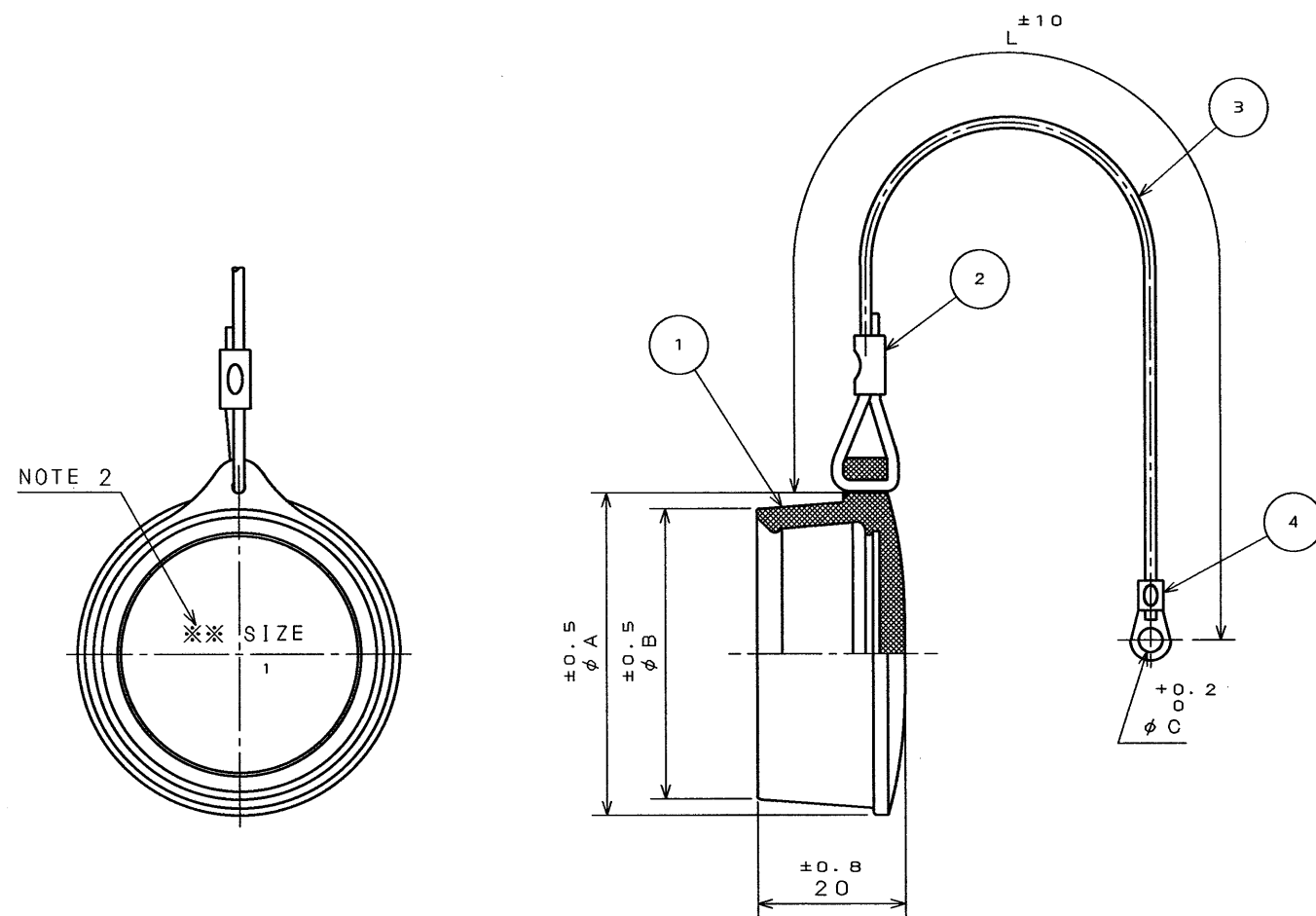


SJ025936-E

DWG. NO.

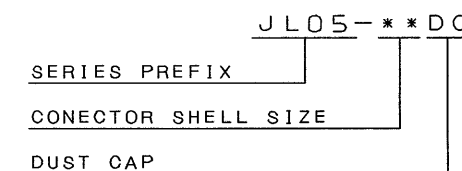
SYM.	DCN NO.	DESCRIPTION	DATE	DRAWN	CHECKED	APP'D	APP'D



TABLE

PART NUMBER	$\phi A \pm 0.5$	$\phi B \pm 0.5$	$\phi C \begin{smallmatrix} +0.2 \\ 0 \end{smallmatrix}$	$L \pm 10$
JL05-18DC	37.5	33.1	3.2	80
JL05-20DC	42.6	38.2	3.2	100
JL05-22DC	43.8	39.4	3.2	110
JL05-24DC	47	42.6	4.3	130
JL05-28DC	53.3	49	4.3	150

DESIGNATION



NOTE 1. THIS IS A RECEPTACLE COVER.
NOTE 2. A CONECTOR SHELL SIZE IS AS INDICATED.

ITEM	DESCRIPTION	Q'TY	MATERIAL	FINISH	REMARKS
4	CLIMP-TYPE TERMINAL LUG	1	COPPER ALLOY	TIN PLATING	
3	ROPE	1	SYNTHETIC RESIN		COLOR:BLACK
2	CLIMP-TYPE SLEEVE	1	COPPER ALLOY	TIN PLATING	
1	DUST CAP	1	SYNTHETIC RUBBER		COLOR:BLACK

DIMENSIONS ARE IN MILLIMETERS
TOLERANCES ON: (INCHES)

DIMENSION	ANGLES
. ±	X° ±
.X ±	X°X' ±
.XX ±	CONCENTRICITY
.XXX ±	WITHIN T.I.R.

REFERENCE DOCUMENT	DATE 14. Mar. '95	SCALE 1:1	WT.
MATERIAL	DRAWN S. NANO	TITLE JL05-***DC (PROTECTIVE DUST CAP)	<p>MUSASHINO, AKISHIMA-SHI TOKYO, JAPAN</p>
TREATMENT	CHECKED T. MOKITA	SERIES JL05	
FINISH	APP'D M. Takagi	DWG. NO. SJ025936-E	

DCF-C-143

0 10 20 30 40 50 60 70 80 90 100

CSP-95-100-50927

SIZE A3