

MATERIALS & SPECIFICATIONS

PART NO.	A28100-085	REV	ECO	DATE	APP
		A	97177	11-23-10	TLM

HOUSING:
ALUMINUM 6061-T6,
NICKEL PLATE PER AMS-
C-26074

INSULATOR:
LIQUID CRYSTAL
POLYMER (LCP) PER
ASTM D5138

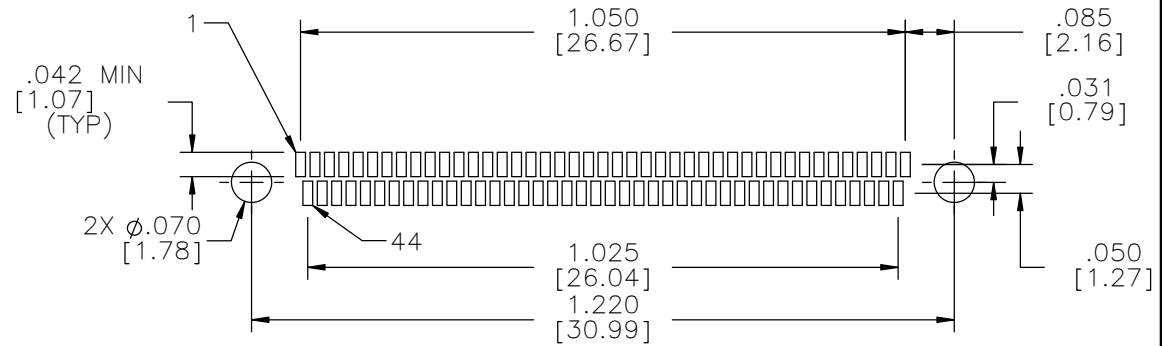
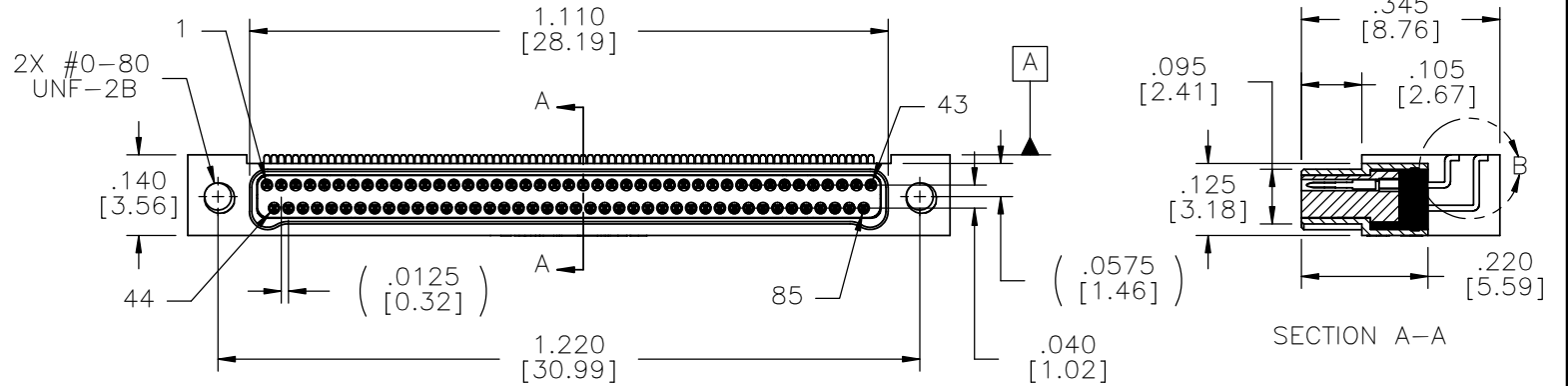
CONTACT:
BERYLLIUM COPPER PER
ASTM B194, C17200,
GOLD PLATED PER ASTM
B488, (HARD GOLD)
TYPE II CODE C, CLASS
1.27

TERMINATION:
SOLDER COATED WITH
SN63A PER
J-STD-006 OR AMS-P-
81728

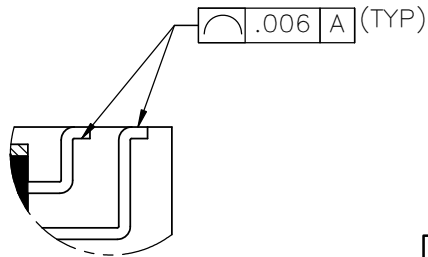
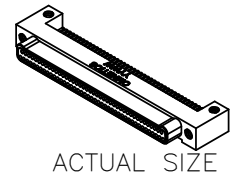
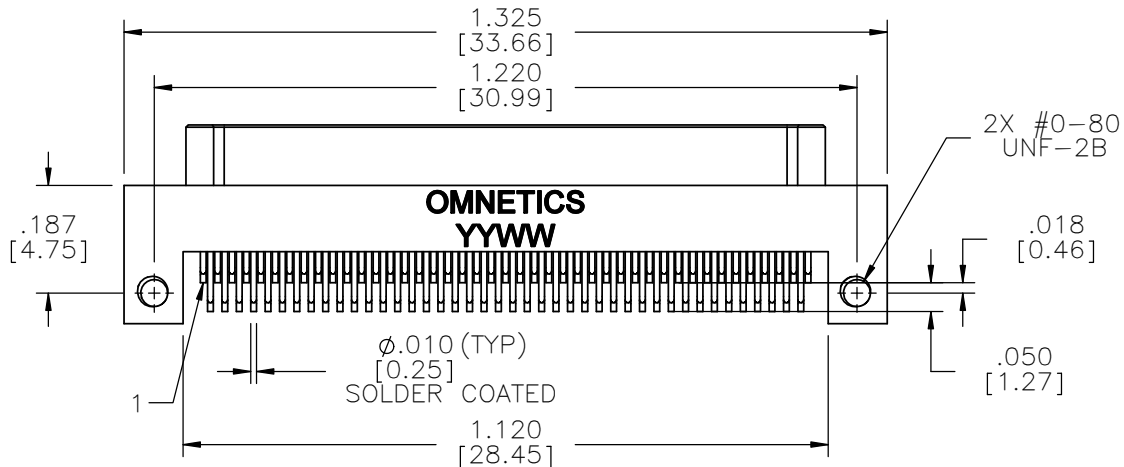
CURRENT RATING:
1 AMP MAX PER MIL-
DTL-32139

CONTACT RESISTANCE:
71 MILLIOHM MAX (71mV
DROP MAX) @ 1.0 AMPS
PER MIL-DTL-32139

PERFORMANCE:
PRODUCT FAMILY TESTED
TO AND PASSED THE
PERFORMANCE
SPECIFICATIONS OF
TABLE VIII OF MIL-DTL-
32139



SUGGESTED PAD LAYOUT



DETAIL B
SCALE 6 : 1

MNP/SLDW	THIRD ANGLE	THIS DRAWING CONTAINS CONFIDENTIAL AND PROPRIETARY INFORMATION WHICH IS THE PROPERTY OF OMNETICS CONNECTOR CORP. THIS DOCUMENT MAY NOT, IN WHOLE OR IN PART, BE DUPLICATED, OR DISCLOSED FOR ANY PURPOSE, WITHOUT WRITTEN PERMISSION FROM OMNETICS CONNECTOR CORP.	DATE 11-12-10	TITLE: (85) PIN MALE Bi-Lobe® CONNECTOR	OMNETICS CONNECTOR CORPORATION 7260 COMMERCE CIRCLE EAST MINNEAPOLIS, MN 55432 WWW.OMNETICS.COM	CAGE CODE 61873		
	-TOLERANCES-					DFTM. JMJ	DATE	DWG NO. A28100-085
	UNLESS OTHERWISE NOTED					CHK'D.	DATE	SHEET 1 OF 1
	DIMENSIONS IN INCHES					APP'D.	DATE	REV A
	2 PL DEC ± .01					SCALE: 3:1		
	3 PL DEC ± .005							
	4 PL DEC ± .0005							
	ANGLES ± 1°							