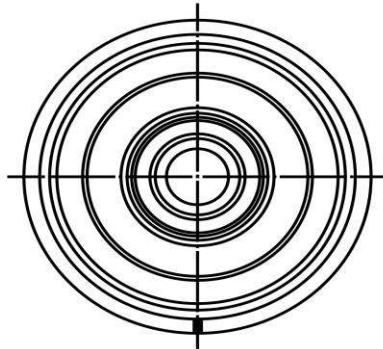
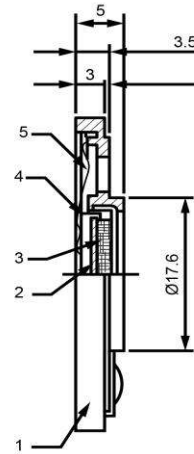


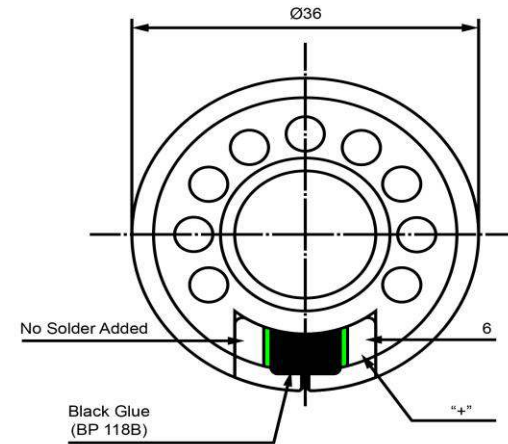
TOP VIEW



SIDE VIEW



BOTTOM VIEW



Specifications

Description	Value	Unit
Shape	Round	
Resonant Frequency	450	(Hz)
Frequency Range	450 ~ 5,000	(Hz)
SPL @ 10cm	86	(dBA)
Impedance	100	(Ohm)
Cone Material	Polyetherimide	
Nominal Power	0.25	(W)
Max Power	0.5	(W)
Mount Type	Flush Mount	
Operating Temperature	-40 ~ +85	°C
Storage Temperature	-40 ~ +85	°C
Weight	5.5	(g)

Notes

- 1) All dimensions are in mm unless otherwise noted
- 2) All parts meet RoHS



Revision History

Version	Description	Date	Approved		
1	Released from Engineering	2/5/2014	J.S.		
2	Update Storage / Op Temps	12/16/2014	C.E.		
Drawn by	Date	Checked by	Date	Approved by	Date
G.W.	1/27/2014	C.E.	2/5/2014	J.S.	2/5/2014

High Temp Dynamic Speaker

SM3604100-1

Additional considerations can be found at www.dbunlimitedco.com/technical-articles.