

# TS3DV642-Q1 12-channel 1:2 MUX/DEMUX with 1.8 V Compatible Control Power-down Mode Evaluation Module User Guide



## ABSTRACT

The TS3DV642-Q1 is a 12 channels 1:2 or 2:1 bidirectional multiplexer/demultiplexer. The TS3DV642-Q1 operates from a 2.6 V to 4.5 V supply, making it suitable for battery-powered applications. It offers low and flat on-state resistance (RON) as well as low I/O capacitance which allows it to achieve a typical bandwidth of up to 7.5 GHz. The device provides the high bandwidth necessary for MIPI C-PHY, D-PHY, HDMI and DisplayPort applications. This user guide describes how to setup and configure the EVM to test functionality and signal integrity.

## Table of Contents

<b>1 Introduction</b> .....	2
<b>2 Setup and Configuration</b> .....	3
2.1 Power.....	3
2.2 Jumper Configuration.....	4
2.3 Signal Connection.....	4
2.4 Optional AC Coupling Capacitors and Termination Resistors.....	4
2.5 Calibration Trace.....	4
2.6 REACH Compliance.....	4
<b>3 Schematic</b> .....	5
<b>4 Bill of Materials</b> .....	6

## Trademarks

All trademarks are the property of their respective owners.

## 1 Introduction

The TS3DV642-Q1 is a 12 channels 1:2 or 2:1 bidirectional multiplexer/demultiplexer. The TS3DV642-Q1 operates from a 2.6 V to 4.5 V supply, The device provides switching on differential channels between Port DA or Port DB to Port D (see [Figure 1-1](#)).

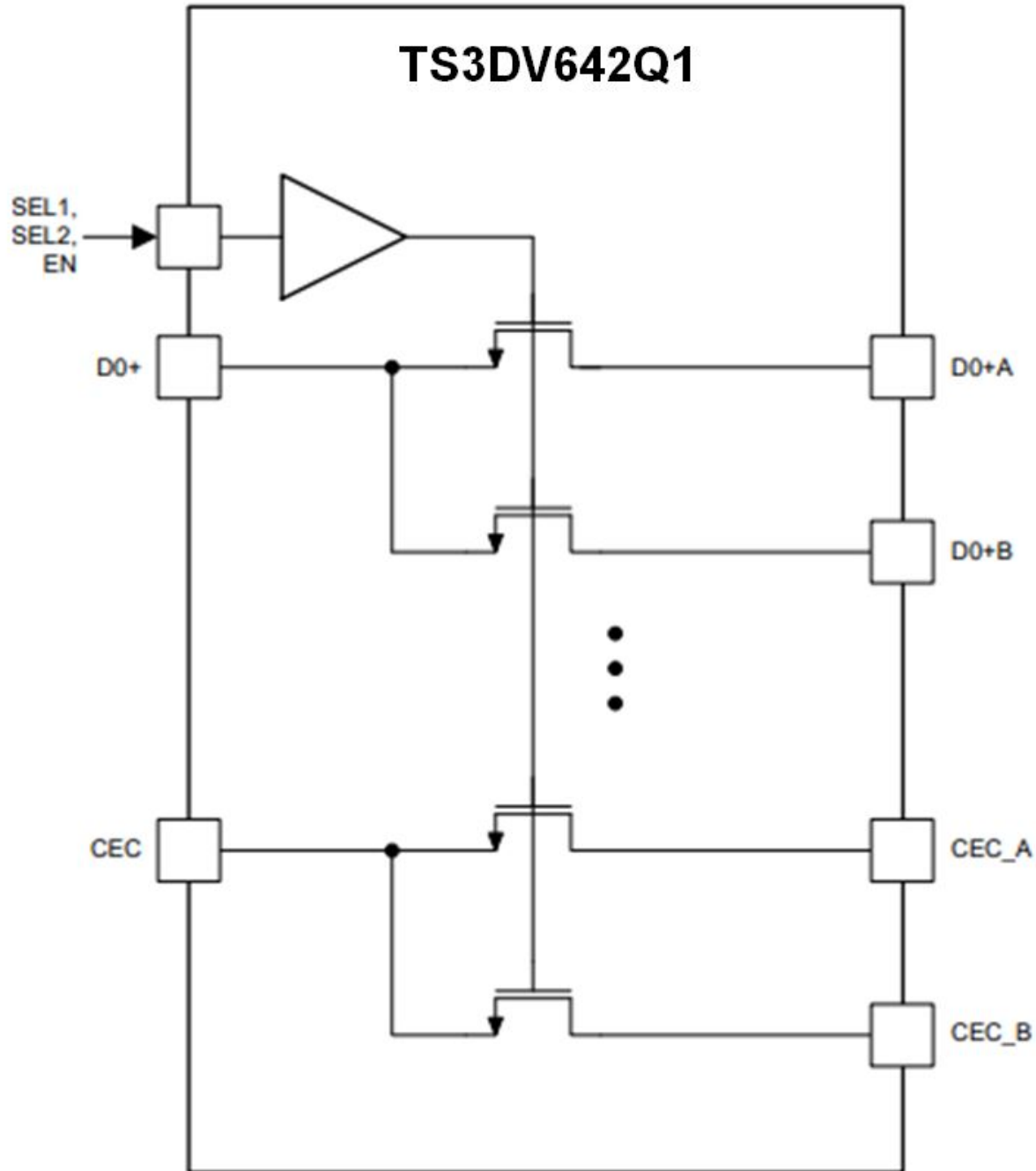


Figure 1-1. TS3DV642-Q1 Functional Block Diagram

## 2 Setup and Configuration

Figure 2-1 shows a top view photo of the EVM.

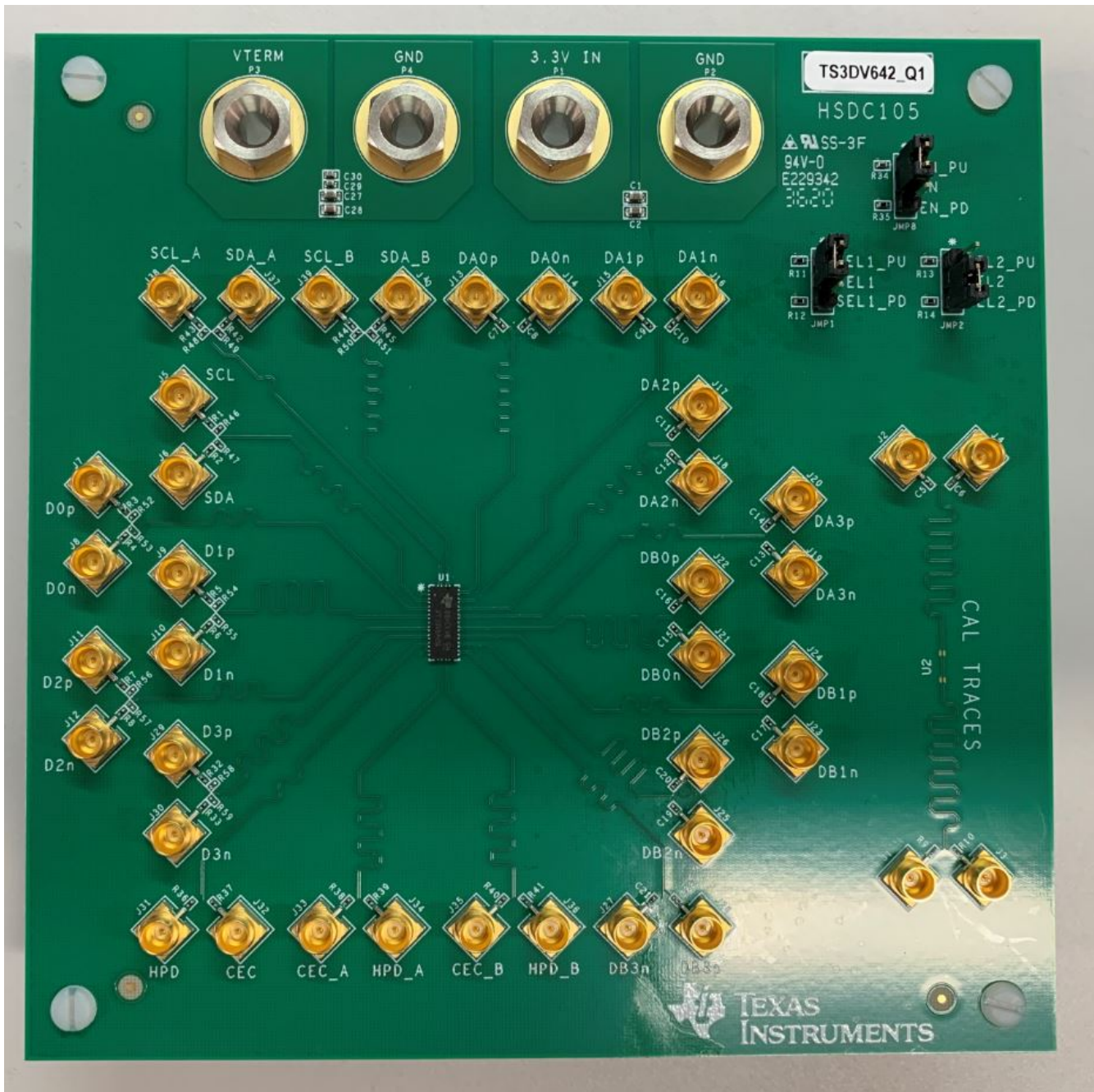


Figure 2-1. TS3DV642-Q1 EVM

### 2.1 Power

The TS3DV642-Q1 EVM is designed to operate from an external 2.6-4.5 V power supply using standard banana jack plug cables. Terminal P1 should be connected to the supply positive output and P2 to ground. A power supply current limit of 100 mA is more than adequate to power the EVM.

## 2.2 Jumper Configuration

The TS3DV642-Q1 EVM is controlled by an active-high enable signal and port select signals. Jumper JMP8 (EN) is used to enable or disable the switch. Jumper JMP1 (SEL1) and JMP2 (SEL2) control the port selection: Port D to Port DB, or Port D to Port DA. Both jumpers and their operational positions are labeled with silkscreens on the EVM for ease of use.

EN	SEL1	SEL2	FUNCTION
L	X	X	Switch disabled. All channel are Hi-Z
H	L	L	Channel D0+/D0- to D0+A/D0-A is ON. All the other channels (D1+/D1-, D2+/D2-, D3+/D3-, SCL, SDA, HPD, CEC) are Hi-Z.
H	L	H	Channel D0+/D0- to D0+B/D0-B is ON. All the other channels (D1+/D1-, D2+/D2-, D3+/D3-, SCL, SDA, HPD, CEC) are Hi-Z
H	H	L	All A channels are enabled. All B channels are Hi-Z.
H	H	H	All B channels are enabled. All A channels are Hi-Z.

## 2.3 Signal Connection

The EVM provides SMP receptacles for the high-speed signal connections. Each SMP receptacle is labeled with the signal's port (D, DA, or DB), channel (0 or 1), and polarity (P or N). SMA to SMP cables may be required to connect to test equipment or fixtures. The signal traces are all equal length and have 50  $\Omega$  single-ended impedance.

## 2.4 Optional AC Coupling Capacitors and Termination Resistors

Most interfaces require AC coupling between the transmitter and receiver. For example, the DisplayPort specification requires AC coupling capacitors in the range of 75 – 200 nF on the TX. By default, the TS3DV642-Q1 EVM is populated with 0  $\Omega$  resistors on the input and output which can be replaced with capacitors if needed.

The TS3DV642-Q1 EVM also includes external termination resistors option on the Port D. When populating the external termination resistors, it is important to provide the external termination through the banana jack plug VTERM and GND. For now, the EVM leaves the external termination resistors to be un-populated.

## 2.5 Calibration Trace

The TS3DV642-Q1 EVM provides a pair of calibration traces to allow the EVM trace to be de-embedded from the TS3DV642-Q1 during measurement. The calibration traces are length matched to the combined length of the input and output traces to the TS3DV642-Q1. They are also populated with the same capacitors and resistors.

## 2.6 REACH Compliance

*In compliance with the Article 33 provision of the EU REACH regulation we are notifying you that this EVM includes component(s) containing at least one Substance of Very High Concern (SVHC) above 0.1%. These uses from Texas Instruments do not exceed 1 ton per year. The SVHC is shown in:*

Component Manufacturer	Component Type	Component Part Number	SVHC Substance	SVHC CAS (when available)
Rosenberger	Connector	19S101-40ML5	Lead	7439-92-1

### 3 Schematic

Figure 3-1 shows the TS3DV642-Q1 schematic

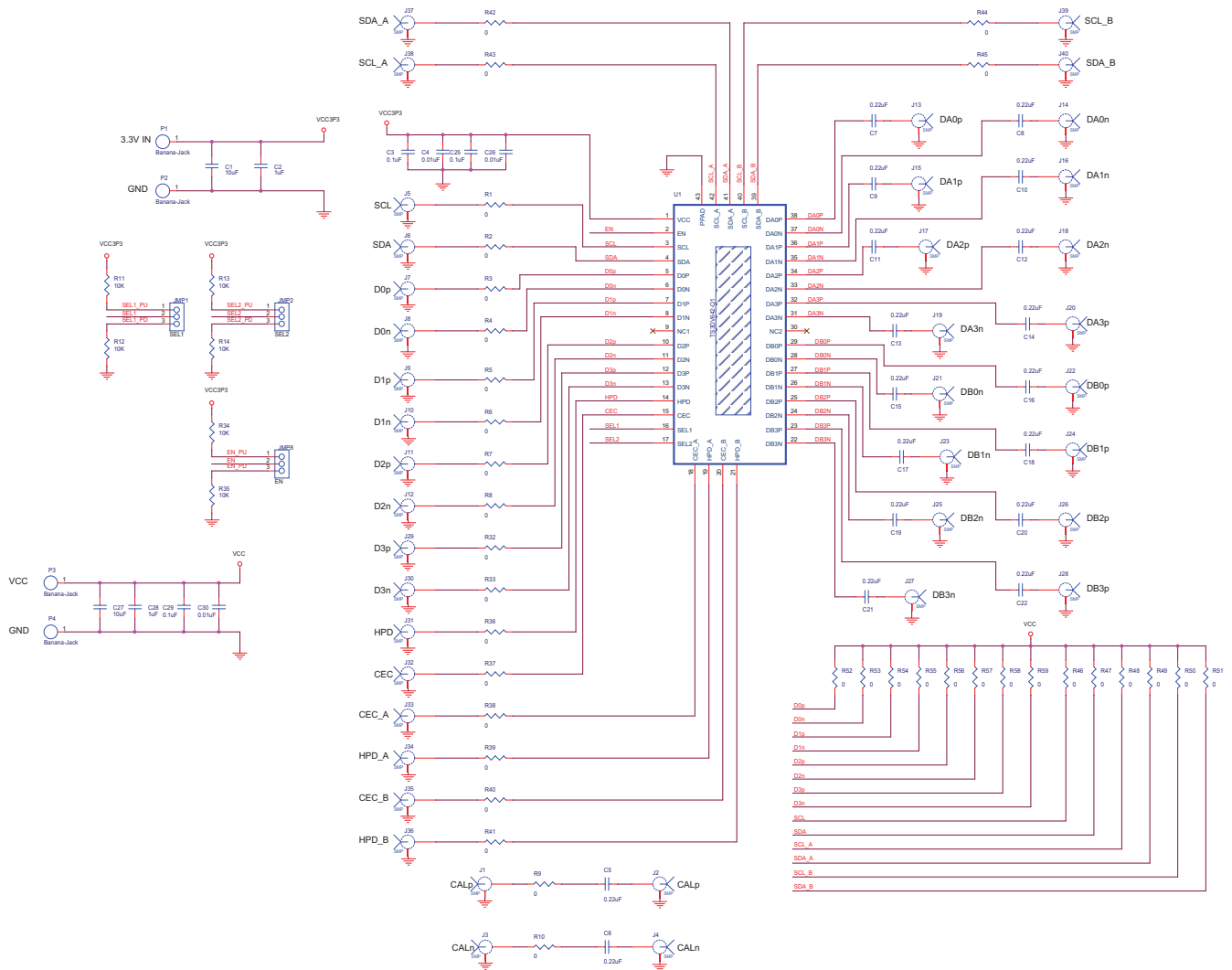


Figure 3-1. TS3DV642-Q1 Schematic

## 4 Bill of Materials

Table 4-1 shows the TS3DV642-Q1 EVM Bill of Materials

**Table 4-1. Bill of Materials**

Item	Quantity	Reference	Value	Manufacturer	Man. Part Number	Footprint
1	2	C1,C27	10 uF	TDK Corporation	C1608X5R1A106 K080AC	cap_0603
2	2	C2,C28	1 uF	Taiyo Yuden	LMK107B7105KA- T	cap_0603
3	3	C3,C25,C29	0.1 uF	Murata Electronics North America	GRM155R71C104 KA88D	cap_0402
4	3	C4,C26,C30	0.01 uF	Samsung	CL05B103KB5NN NC	cap_0402
5	18	C5,C6,C7,C8,C9, C10,C11, C12,C13,C14,C15 ,C16,C17, C18,C19,C20,C21 ,C22	0.22 uF	Taiyo Yuden	LMK063BJ224MP -F	cap_0201
6	3	JMP1,JMP2,JMP8	HDR3X1 M . 1	AMP	68000-103HLF	berg1x3tee
7	40	J1,J2,J3,J4,J5,J6, J7,J8, J9,J10,J11,J12,J1 3,J14, J15,J16,J17,J18,J 19,J20, J21,J22,J23,J24,J 25,J26, J27,J28,J29,J30,J 31,J32, J33,J34,J35,J36,J 37,J38, J39,J40	SMP	Rosenberger	19S101-40ML5	SMP
8	1	LB1	PCB Label 0.650"W x 0.200"H	Brady	THT-46-487-10	THT-46-487-10
9	1	PCB1		Any		PCB
10	4	P1,P2,P3,P4	Banana-Jack	Emerson Network Power	108-0740-001	4mm
11	36	R1,R2,R3,R4,R5, R6,R7,R8, R9,R10,R32,R33, R36,R37, R38,R39,R40,R41 ,R42,R43, R44,R45,R46,R47 ,R48,R49, R50,R51,R52,R53 ,R54,R55, R56,R57,R58,R59	0	Panasonic Electronic Components	ERJ-1GN0R00C	res_0201
12	6	R11,R12,R13,R14 ,R34,R35	10K	Panasonic Electronic Components	ERA-2AED103X	res_0402
13	4	SCRW1,SCRW2, SCRW3,SCRW4	NY PMS 440 005 PH	B&F Fastener	NY PMS 440 0050 PH	4-40 Phillips Panhead

**Table 4-1. Bill of Materials (continued)**

Item	Quantity	Reference	Value	Manufacturer	Man. Part Number	Footprint
14	2	SHNT1,SHNT2	QPC02SXGN-RC	Kobiconn	151-8000-E	0.1" SP
15	4	STDOFF1,STDOF F2,STDOFF3, STDOFF4	1902E	Keystone	1902E	OD3.96 L7.95 OL7.94
16	1	U1	Ts3DV642-Q1	Texas Instruments	TS3DV642-Q1	RUA0042A
17	1	U2	DNI	DNI	DNI	RUA0042A

## IMPORTANT NOTICE AND DISCLAIMER

TI PROVIDES TECHNICAL AND RELIABILITY DATA (INCLUDING DATASHEETS), DESIGN RESOURCES (INCLUDING REFERENCE DESIGNS), APPLICATION OR OTHER DESIGN ADVICE, WEB TOOLS, SAFETY INFORMATION, AND OTHER RESOURCES "AS IS" AND WITH ALL FAULTS, AND DISCLAIMS ALL WARRANTIES, EXPRESS AND IMPLIED, INCLUDING WITHOUT LIMITATION ANY IMPLIED WARRANTIES OF MERCHANTABILITY, FITNESS FOR A PARTICULAR PURPOSE OR NON-INFRINGEMENT OF THIRD PARTY INTELLECTUAL PROPERTY RIGHTS.

These resources are intended for skilled developers designing with TI products. You are solely responsible for (1) selecting the appropriate TI products for your application, (2) designing, validating and testing your application, and (3) ensuring your application meets applicable standards, and any other safety, security, or other requirements. These resources are subject to change without notice. TI grants you permission to use these resources only for development of an application that uses the TI products described in the resource. Other reproduction and display of these resources is prohibited. No license is granted to any other TI intellectual property right or to any third party intellectual property right. TI disclaims responsibility for, and you will fully indemnify TI and its representatives against, any claims, damages, costs, losses, and liabilities arising out of your use of these resources.

TI's products are provided subject to TI's Terms of Sale ([www.ti.com/legal/termsofsale.html](http://www.ti.com/legal/termsofsale.html)) or other applicable terms available either on [ti.com](http://ti.com) or provided in conjunction with such TI products. TI's provision of these resources does not expand or otherwise alter TI's applicable warranties or warranty disclaimers for TI products.

Mailing Address: Texas Instruments, Post Office Box 655303, Dallas, Texas 75265  
Copyright © 2020, Texas Instruments Incorporated