

280363 ✓ ACTIVE

AMPMODU | AMPMODU IV/V

TE Internal #: 280363

Housing, Receptacle, Wire-to-Board, 15 Position, .1 in [2.54 mm]
Centerline, Crimp, 1 Row, Black, Mating Retention, Wire & Cable,
Signal, AMPMODU IV/V

[View on TE.com >](#)



Connectors > PCB Connectors > Wire-to-Board Connectors > Wire-to-Board Connector Assemblies & Housings



Connector Product Type: **Housing**

Connector & Housing Type: **Receptacle**

Connector System: **Wire-to-Board**

Number of Positions: **15**

Centerline (Pitch): **2.54 mm [.1 in]**

Features

Product Type Features

| | |
|-----------------------------------|---------------|
| Connector Product Type | Housing |
| Connector & Housing Type | Receptacle |
| Connector System | Wire-to-Board |
| Connector & Contact Terminates To | Wire & Cable |

Configuration Features

| | |
|---------------------|----|
| Number of Positions | 15 |
| Number of Rows | 1 |

Body Features

| | |
|-----------------------|-------|
| Primary Product Color | Black |
|-----------------------|-------|

Contact Features

| | |
|------------------------------|--------|
| Contact Layout | Inline |
| Contact Type | Socket |
| Contact Current Rating (Max) | 3 A |

Termination Features

| | |
|------------------------------------|-------|
| Termination Method to Wire & Cable | Crimp |
|------------------------------------|-------|

Mechanical Attachment

| | |
|---------------------|---------|
| Panel Mount Feature | Without |
| PCB Mount Retention | Without |



| | |
|-------------------------|----------------------------|
| Mating Retention Type | Detent Latching |
| Mating Retention | With |
| Connector Mounting Type | Cable Mount (Free-Hanging) |

Housing Features

| | |
|-----------------------------|------------------------------|
| Housing Entry Configuration | Both Ends Closed |
| Housing Material | LCP (Liquid Crystal Polymer) |
| Centerline (Pitch) | 2.54 mm[.1 in] |

Dimensions

| | |
|--------------------|----------------|
| Connector Length | 7.1 mm |
| Connector Height | 3.1 mm[.12 in] |
| Row-to-Row Spacing | 2.54 mm[.1 in] |

Usage Conditions

| | |
|-----------------------------|---------------------------|
| Operating Temperature Range | -40 – 80 °C[-40 – 176 °F] |
|-----------------------------|---------------------------|

Operation/Application

| | |
|---------------------|--------|
| Circuit Application | Signal |
|---------------------|--------|

Industry Standards

| | |
|------------------------|-------------------------------|
| Glow Wire Rating | Standard Part - Not Glow Wire |
| UL Flammability Rating | UL 94V-0 |

Packaging Features

| | |
|--------------------|------|
| Packaging Quantity | 1000 |
| Packaging Method | Bag |

Product Compliance

[For compliance documentation, visit the product page on TE.com>](#)

| | |
|---|---|
| EU RoHS Directive 2011/65/EU | Compliant |
| EU ELV Directive 2000/53/EC | Compliant |
| China RoHS 2 Directive MIIT Order No 32, 2016 | No Restricted Materials Above Threshold |
| EU REACH Regulation (EC) No. 1907/2006 | Current ECHA Candidate List: JUNE 2023 (235) Candidate List Declared Against: JUNE 2023 (235) Does not contain REACH SVHC |
| Halogen Content | Low Halogen - Br, Cl, F, I < 900 ppm per homogenous material. Also BFR/CFR/PVC |

Free

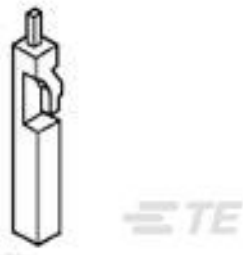



Solder Process Capability

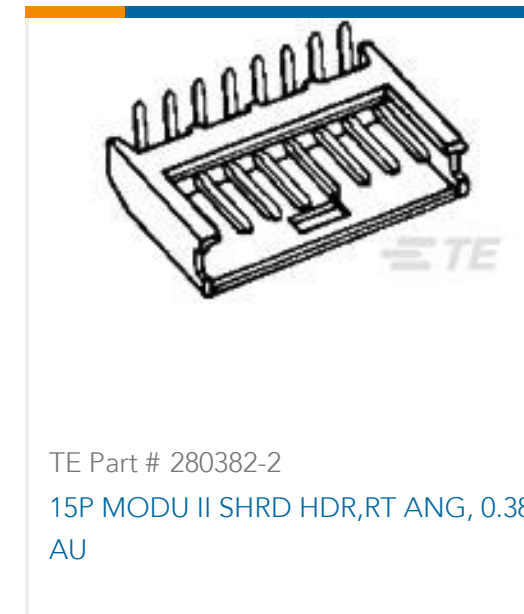
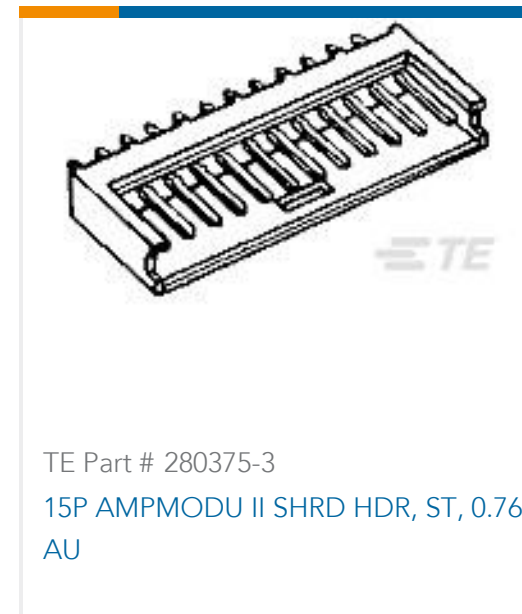
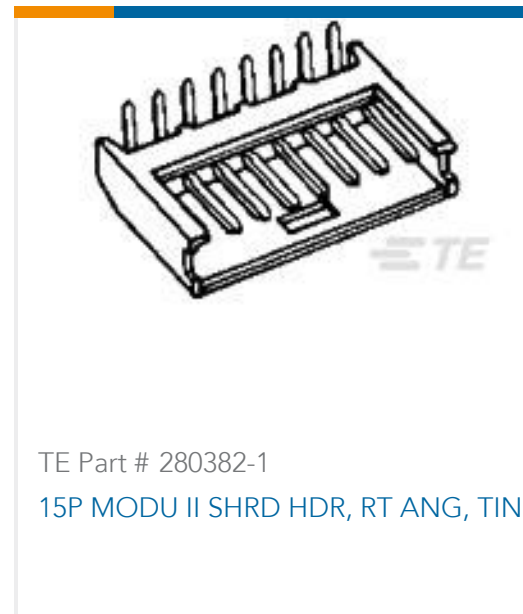
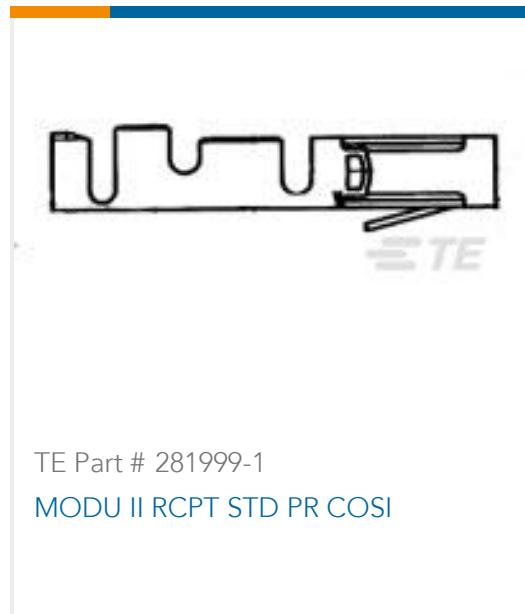
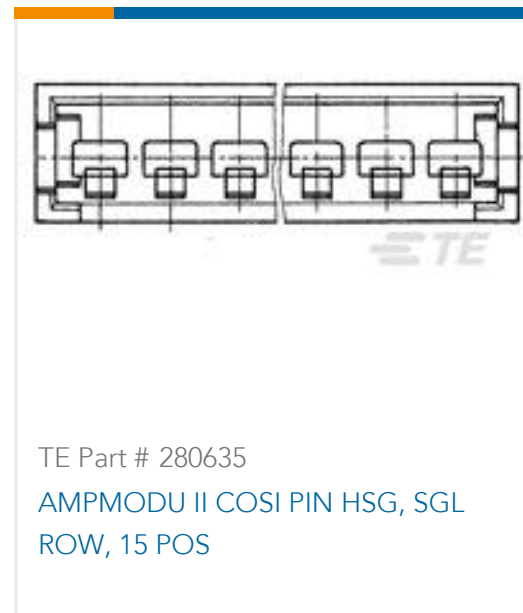
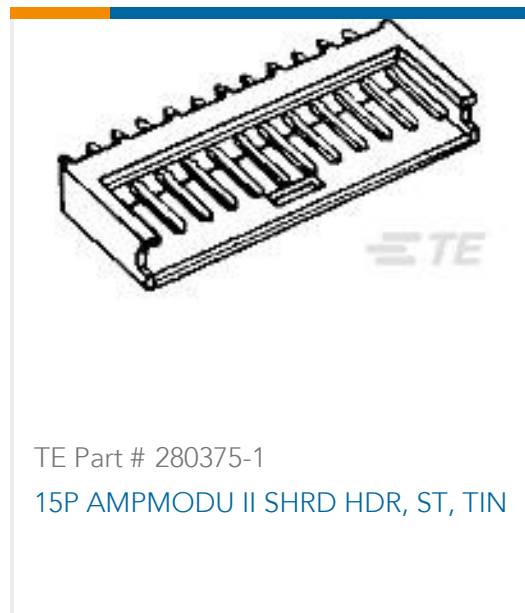
Not applicable for solder process capability

Product Compliance Disclaimer

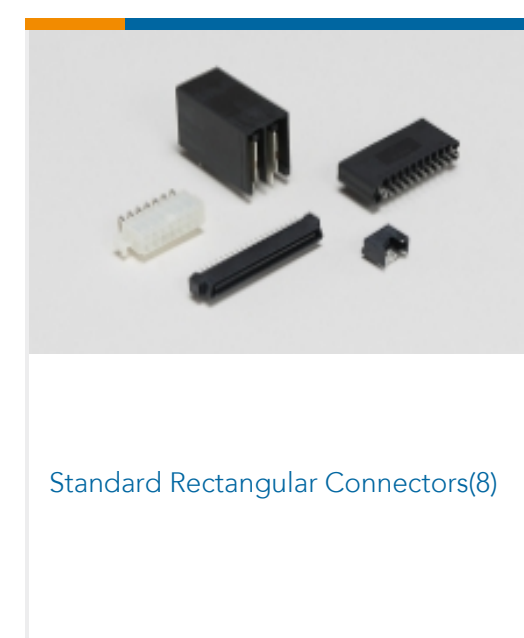
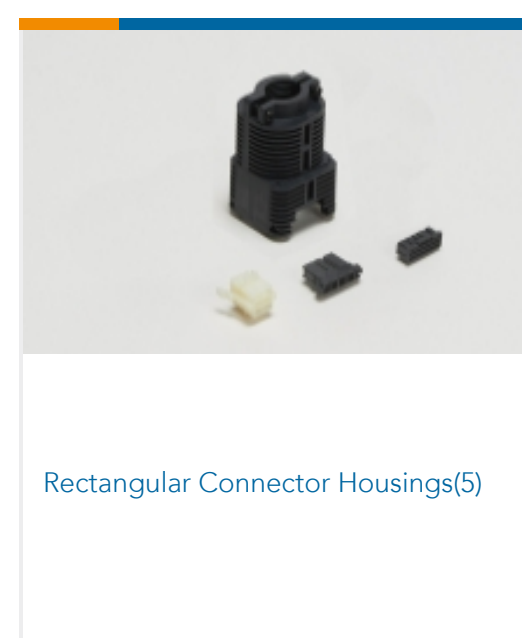
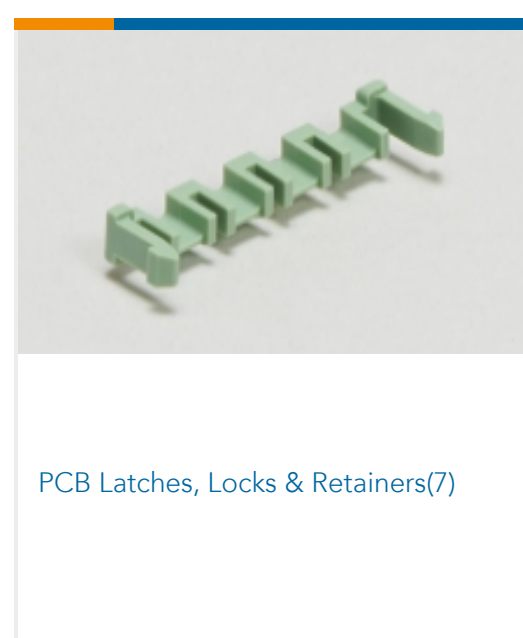
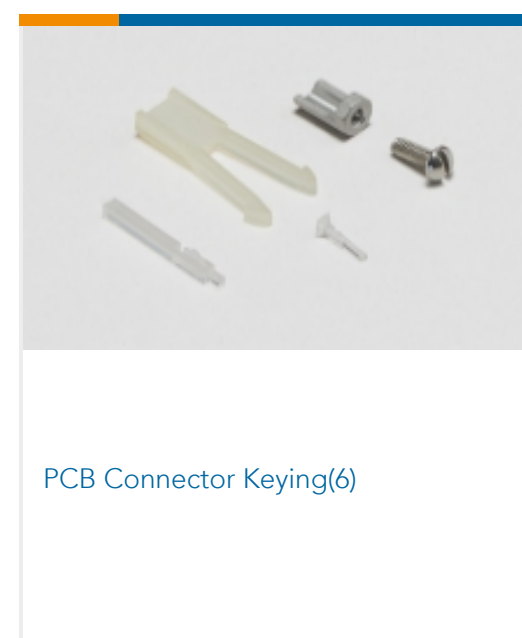
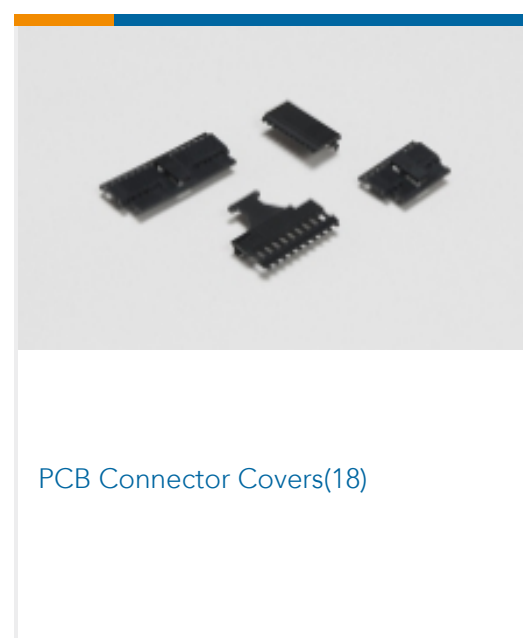
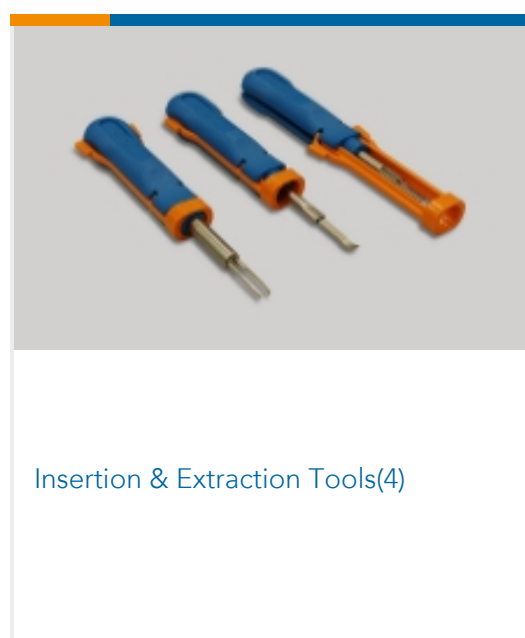
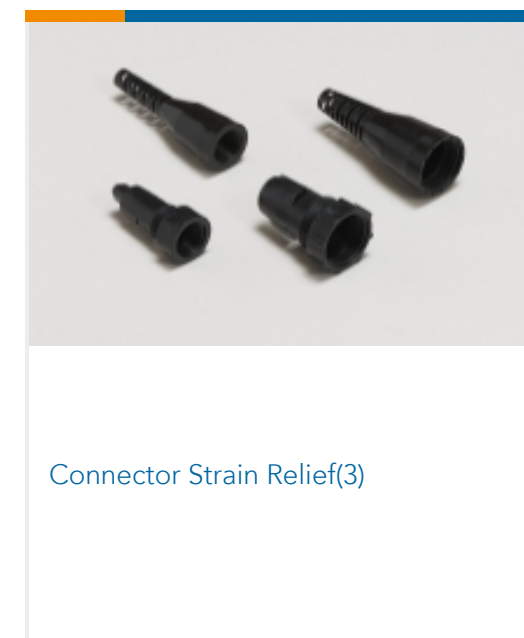
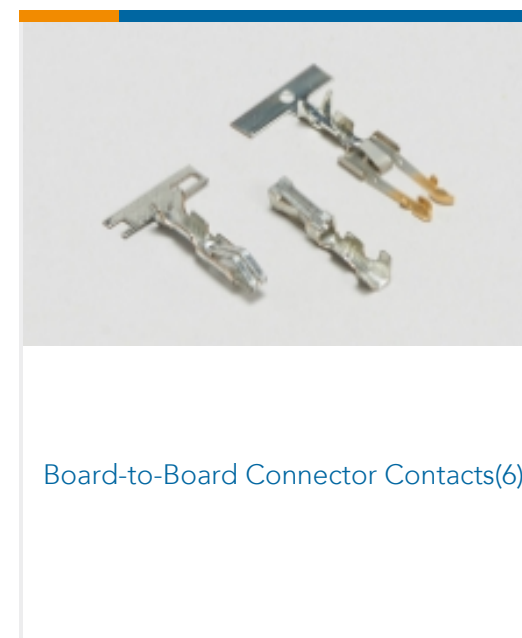
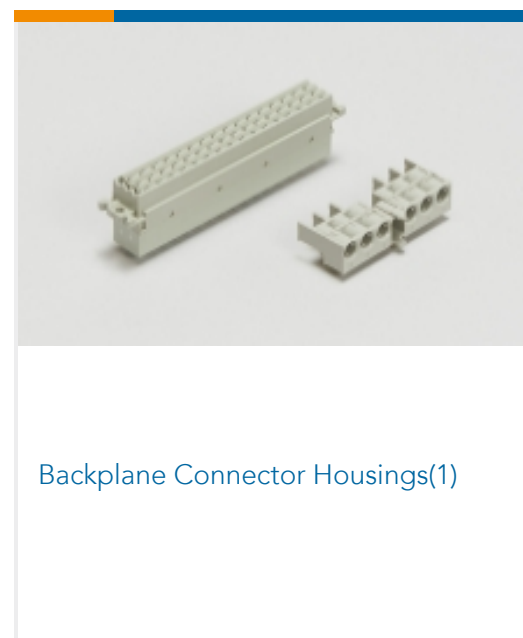
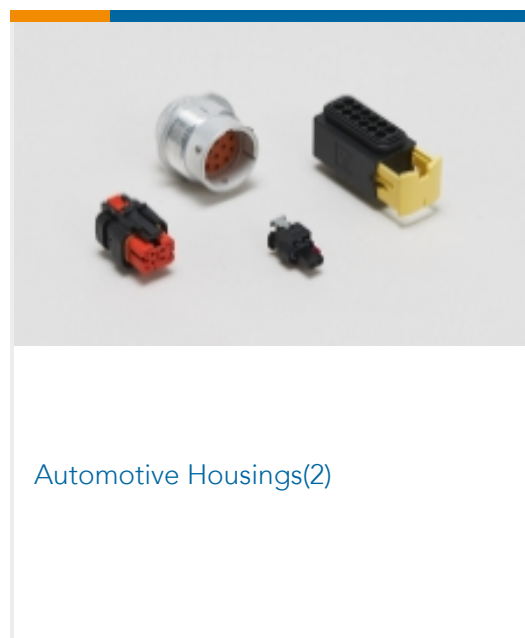
This information is provided based on reasonable inquiry of our suppliers and represents our current actual knowledge based on the information they provided. This information is subject to change. The part numbers that TE has identified as EU RoHS compliant have a maximum concentration of 0.1% by weight in homogenous materials for lead, hexavalent chromium, mercury, PBB, PBDE, DBP, BBP, DEHP, DIBP, and 0.01% for cadmium, or qualify for an exemption to these limits as defined in the Annexes of Directive 2011/65/EU (RoHS2). Finished electrical and electronic equipment products will be CE marked as required by Directive 2011/65/EU. Components may not be CE marked. Additionally, the part numbers that TE has identified as EU ELV compliant have a maximum concentration of 0.1% by weight in homogenous materials for lead, hexavalent chromium, and mercury, and 0.01% for cadmium, or qualify for an exemption to these limits as defined in the Annexes of Directive 2000/53/EC (ELV). Regarding the REACH Regulation, the information TE provides on SVHC in articles for this part number is based on the latest European Chemicals Agency (ECHA) 'Guidance on requirements for substances in articles' posted at this URL: <https://echa.europa.eu/guidance-documents/guidance-on-reach>

Compatible Parts

| | | | |
|---|--|---|--|
|  <p>TE Part # 87077-2 MOD IV KEYING PLUG</p> |  <p>TE Part # 181270-1 AMP-MODU CONTACT</p> |  <p>TE Part # 181270-2 MOD II CONTACT L.P.</p> |  <p>TE Part # 181270-3 MOD 2 BUCHSE</p> |
|  <p>TE Part # 280530-4 MOD2 BUCHSE</p> |  <p>TE Part # 280530-2 AMP MODU MOD 2 CONT</p> |  <p>TE Part # 281556-2 20AWG MOD 2 CRIMP TIN PLATE</p> |  <p>TE Part # 280530-1 MOD II COSI RECP CONT STR PH-B</p> |
|  <p>TE Part # 280708-2 MOD 2 CONTACT</p> |  <p>TE Part # 280375-2 15P AMPMODU II SHRD HDR, ST, 0.38 AU</p> |  <p>TE Part # 280530-3 MOD II COSI RECP CONT STR PRE</p> |  <p>TE Part # 182207-2 AMP MODU II RCPT CONT COSI LP</p> |



Also in the Series | AMPMODU IV/V



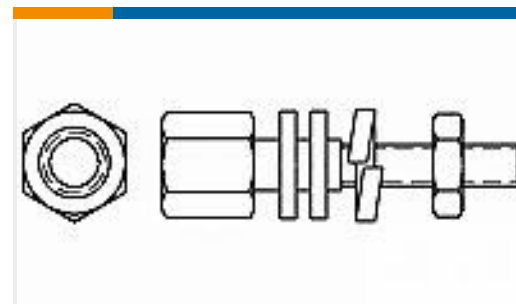
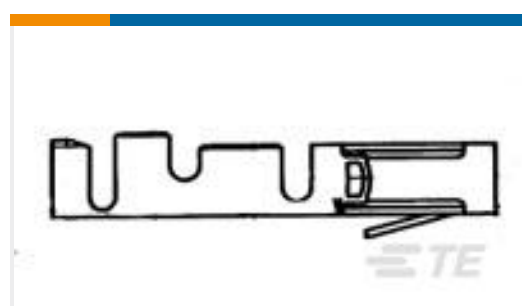


Wire-to-Board Connector Assemblies & Housings(447)



Wire-to-Board Connector Contacts (322)

Customers Also Bought

TE Part #35345
TERMINAL, PIDG R 12-10 1/4TE Part #86557-6
FFC PIN ROUND WIRE PLATEDTE Part #5747223-3
AMPLI FEM S'LOCK KITTE Part #770372-1
06P .093 COMM P&S RECPT .250CLTE Part #281556-2
20AWG MOD 2 CRIMP TIN PLATETE Part #1445049-5
FREE HANG SNGL ROW HSG 5 POSTE Part #3-640429-8
08P MTA156 CONN ASSY 24AWG WHTTE Part #1-104257-4
15 MTE RCPT HSG SR LATCH .100TE Part #1609112-8
10CS1 M0=F7803TE Part #1586344-1
MICRO MATENLOK EXTRACTION TOOL

Documents

CAD Files

[3D PDF](#)

[3D](#)

Customer View Model

[ENG_CVM_CVM_280363_Z.2d_dxf.zip](#)

English

Customer View Model

[ENG_CVM_CVM_280363_Z.3d_igs.zip](#)

280363

Housing, Receptacle, Wire-to-Board, 15 Position, .1 in [2.54 mm] Centerline, Crimp, 1 Row, Black, Mating Retention, Wire & Cable, Signal, AMPMODU IV/V



English

Customer View Model

[ENG_CVM_CVM_280363_Z.3d_stp.zip](#)

English

By downloading the CAD file I accept and agree to the [Terms and Conditions](#) of use.

Product Environmental Compliance

[TE Material Declaration](#)

English