

THIS DRAWING IS UNPUBLISHED.

RELEASED FOR PUBLICATION DEC ,2005.

REVISIONS

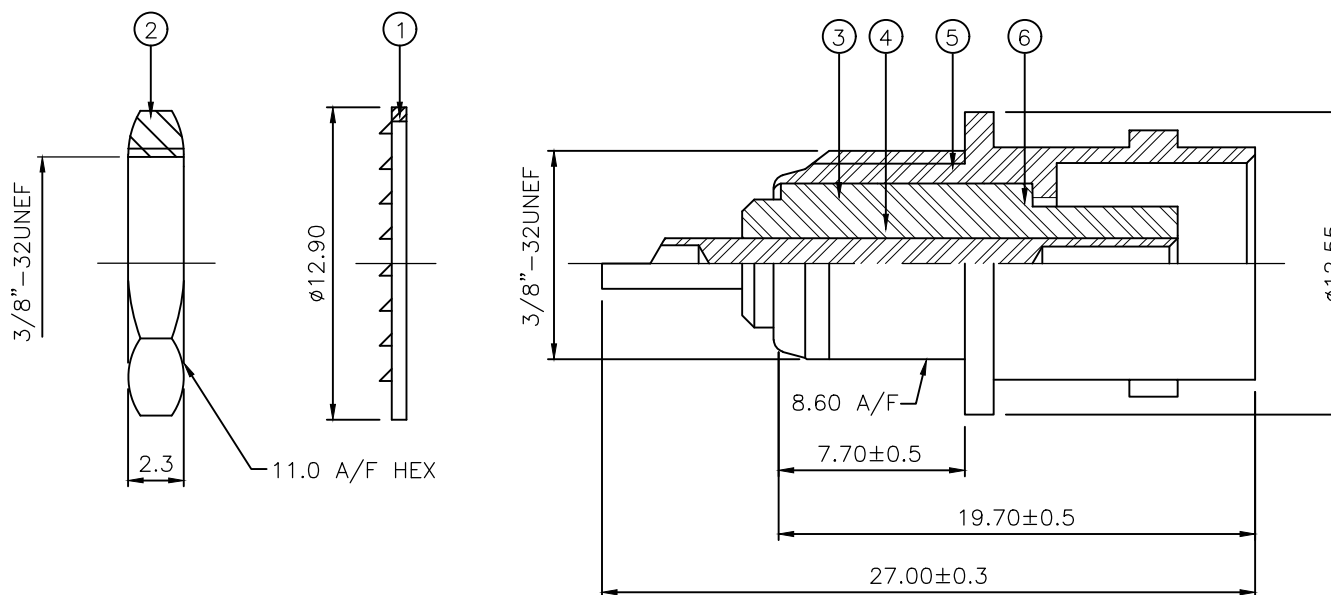
© COPYRIGHT 2005 TE Connectivity Ltd.

ALL RIGHTS RESERVED.

P	LTR	DESCRIPTION	DATE	DWN	APVD
	D	ECR-19-007148	15MAY2019	RZ	RS

NOTES:

- 1 PACK IN ACCORDANCE WITH AMP SPEC 107-3275
- 2 100 TRAY PACK IN ACCORDANCE WITH AMP SPEC 107-3275
- 3 Ag PLATING
- 4 ELECTRICAL CHARACTERISTICS
 - FREQUENCY RANGE: DC - 4 GHz
 - NOMINAL IMPEDANCE: 50 Ohm
 - INSULATION RESISTANCE: 5000 MOhm
 - WORKING VOLTAGE: 500 Volts RMS at Sea Level
 - DIELECTRIC WITHSTAND VOLTAGE: 1500 Volts RMS Max
 - CONTACT RESISTANCE:
 - CENTRE CONTACT: 1.50 mOhm Max
 - OUTER CONTACT: 0.20 mOhm Max
 - VSWR @ xGHz: N/A
 - INSERTION LOSS xdb: N/A
- 5 MECHANICAL CHARACTERISTICS
 - COUPLING RETENTION FORCE: N/A
 - CABLE RETENTION FORCE: N/A
 - MOUNT NUT RECOMMENDED TORQUE: 2.5N
 - DURABILITY: 500 Cycles Min
- 6 ENVIRONMENTAL CHARACTERISTICS
 - OPERATING TEMPERATURE: -65 to +165 DegC



QTY	QTY PER ASSY	DESCRIPTION	ITEM
1	1	PTFE INSULATION	6
1	1	BRASS BODY	5
1	1	BRASS CONTACT	4
1	1	PTFE INSULATION	3
1	1	BRASS HEX NUT	2
1	1	STEEL LOCKWASHER	1
6--0	1--0	MATERIAL DESCRIPTION	ITEM

THIS DRAWING IS A CONTROLLED DOCUMENT.		DWN J.SANDWELL 13DEC05	STE TE Connectivity	
DIMENSIONS: mm		CHK S.PARLOW 13DEC05		
TOLERANCES UNLESS OTHERWISE SPECIFIED:		APVD F.WHEELER-KING 13DEC05	NAME BNC BULKHEAD SOCKET FRONT MOUNT 50 OHM LESS SOLDER TAG	
0 PLC ± -		PRODUCT SPEC -	APPLICATION SPEC -	
1 PLC ± 0.2		WEIGHT 0.000000	SIZE A3	CAGE CODE 00779
2 PLC ± 0.1		FINISH -	DRAWING NO C-1337451	RESTRICTED TO -
3 PLC ± -			CUSTOMER DRAWING	SCALE NTS
4 PLC ± -				REV D
ANGLES ± -				
MATERIAL SEE TABLE				