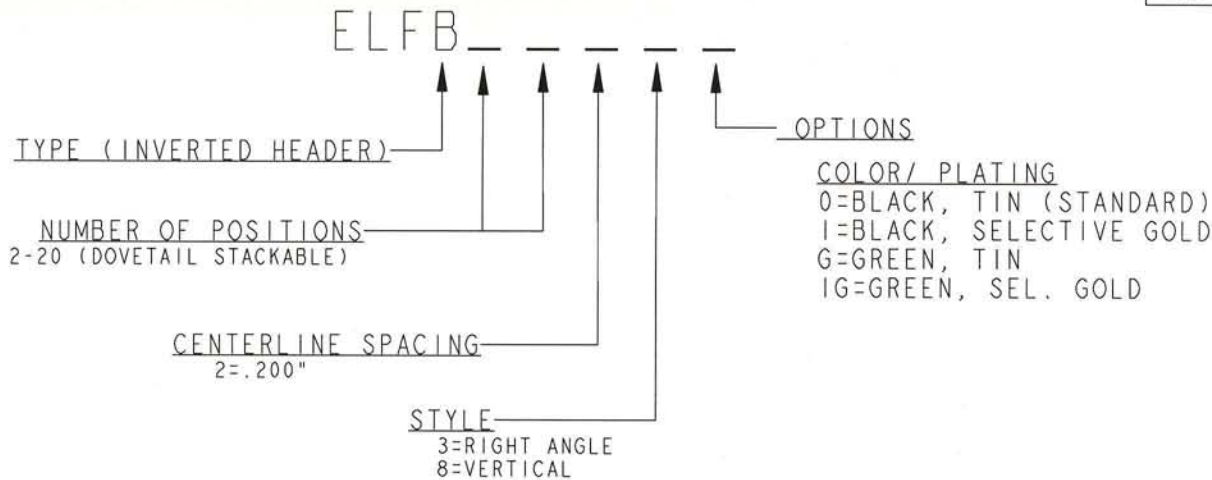


# ELFB SERIES PART NUMBERING SCHEME

| REV | ECN  | APP'D       |
|-----|------|-------------|
| -   | 4501 | 10 10-31-01 |
| A   | 5742 | AN 12/28/05 |



COLOR/ PLATING  
 0=BLACK, TIN (STANDARD)  
 1=BLACK, SELECTIVE GOLD  
 G=GREEN, TIN  
 1G=GREEN, SEL. GOLD

CONSULT PCD FOR PART NO. AND AVAILABILITY OF FOLLOWING OPTIONS:  
 \*CUSTOM COLORS            \*CUSTOM KEYING  
 \*CUSTOM MARKING        \*NUMBER OF POSITIONS 21-24

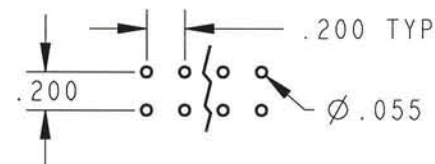
**RU**  
 RATINGS  
 CURRENT - 15A  
 VOLTAGE - 300V  
 U.L. FILE NO. PENDING

**SP**  
 RATINGS  
 CURRENT - 15 A  
 VOLTAGE - 300 V  
 CSA FILE NO. PENDING

DIN VDE 0627:1986  
 DIN VDE 0110-1:1989  
 EN 60947-1:1991  
 EN 60947-7-1:1992  
 CURRENT - 15 A  
 VOLTAGE - 300 V  
 TUV FILE NO. PENDING

**MATERIALS:**  
 HOUSING: NYLON 46, UL 94 V-0; HIGH TEMP.  
 CONTACT: PHOSPHOR BRONZE, TIN FINISH  
 MAX OPERATING TEMP: 125°C  
**NOTE:**  
 HIGH TEMP. MATERIAL WILL WITHSTAND COMPONENT EQUILIBRIUM TEMPERATURES OF 260°C FOR 3 MINUTES DURING THE SOLDERING PROCESS

PRINTED CIRCUIT BOARD CONFIGURATION

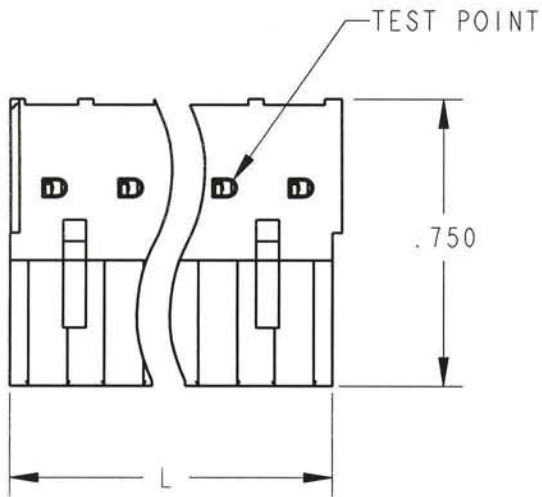


RECOMMENDED PCB THICKNESS: .062±.008

|   |  |                              |                           |  |  |                      |              |
|---|--|------------------------------|---------------------------|--|--|----------------------|--------------|
| <b>DIMENSIONS</b><br>ANSI Y14.5M<br>UNITS: INCHES<br>Pro/E FILE | <b>TOLERANCES</b><br>.XX ±0.01<br>.XXX ±0.005<br>ANGLES ±2.0°  | <b>PROJECTION</b><br>        | <b>Amphenol Pcd</b>       |  | <b>TITLE</b><br>ELFB SERIES<br>INVERTED HEADER |                      |              |
|   |  |                              | ENGR<br>C. LASHUA 5/21/01 |  | SIZE<br><b>A</b>                               | DWG NO.<br>ELFB02230 | REV<br>A     |
| <b>ORIGINAL STAMPED IN RED</b>                                  | THIS DOCUMENT CONTAINS PROPRIETARY INFORMATION WHICH IS THE CONFIDENTIAL PROPERTY OF AMPHENOL PCD, INC. PEABODY, MA, USA | CHKD<br>ALAN PATRIE 10-30-01 | APPD<br>IQ 10-31-01       |  | CODE: 58982                                    | SCALE: NONE          | SHEET 1 OF 2 |

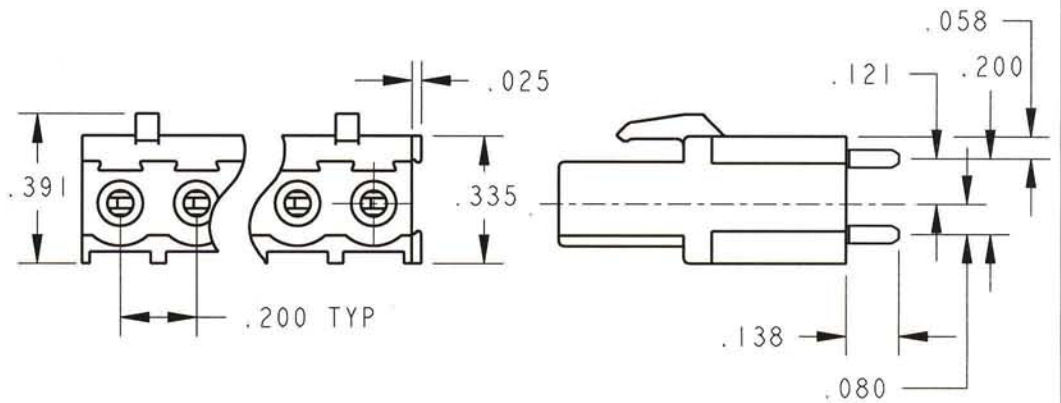
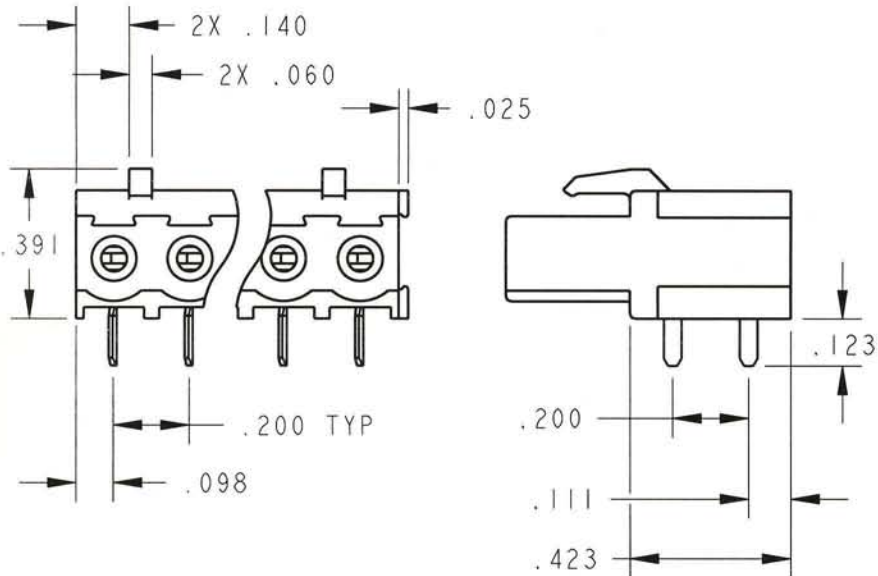
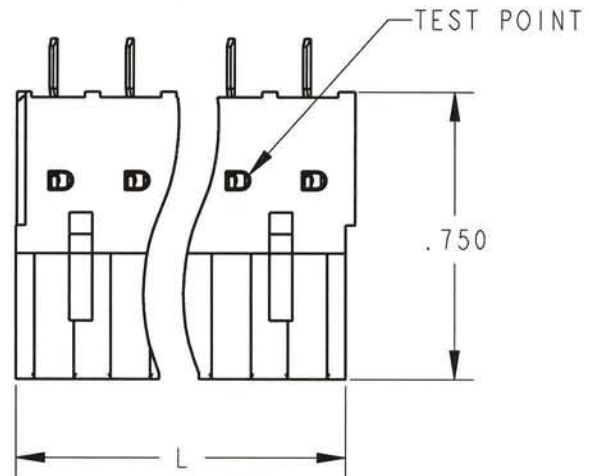
RIGHT ANGLE

L=NUM OF POS X .200



VERTICAL

L=NUM OF POS X .200



|                  |                      |              |
|------------------|----------------------|--------------|
| SIZE<br><b>A</b> | DWG NO.<br>ELFB02230 | REV<br>A     |
| CODE: 58982      | SCALE: NONE          | SHEET 2 OF 2 |