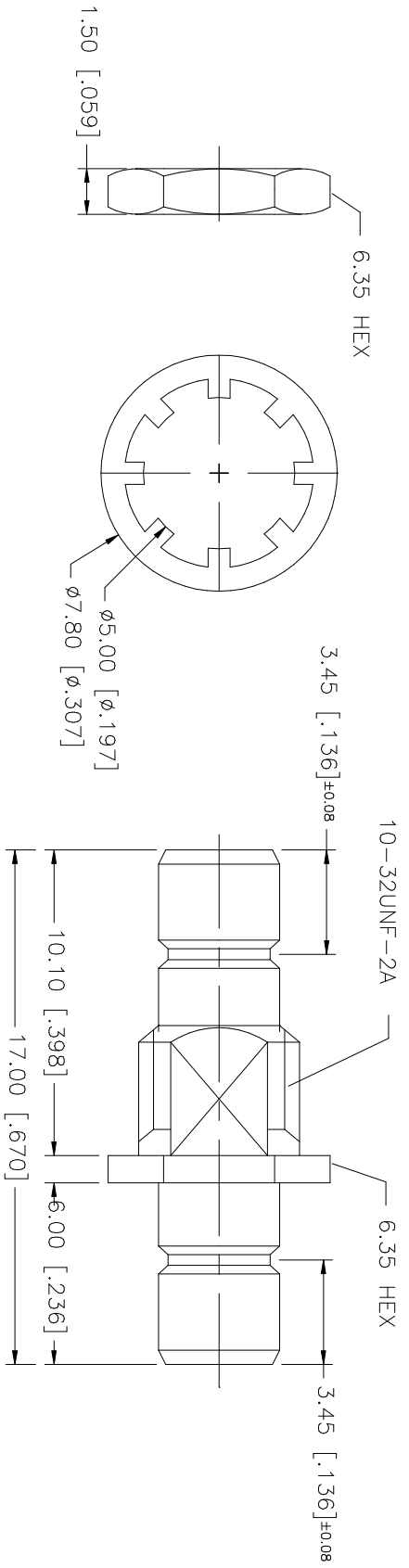
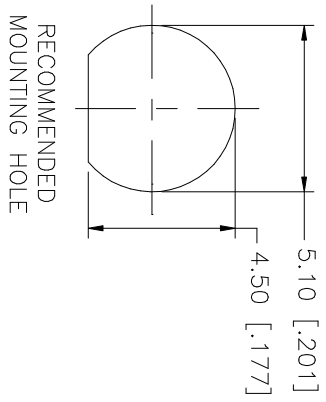


REV.	DATE	DESCRIPTION
A	04/25/04	MODIFY PART DESCRIPTION - UPDATE DRAWING FORMAT



QTY	FINISH	MATERIAL	DESCRIPTION
1	NICKEL	BRASS	INSULATOR
1	NICKEL	BRASS	CONTACT PIN
1	NICKEL	BRASS	LOCK WASHER
1	NICKEL	BRASS	HEX NUT
1	NICKEL	BRASS	HOUSING/BODY
1	NICKEL	BRASS	DESCRIPTION

APPROVALS	DATE
DRAWN G.R.S.	05/25/04
CHECKED	
ISSUED	
SHEET 1 OF 1	

UNLESS OTHERWISE SPECIFIED, DIMENSIONS ARE IN MILLIMETERS. DIMENSIONS IN [ ] ARE IN INCHES AND FOR CUSTOMER REFERENCE ONLY. TOLERANCES FOR MILLIMETERS ARE:
0.5 - 30mm ± 0.20mm
8 - 30mm ± 0.40mm
30 - 120mm ± 0.50mm
UNLESS OTHERWISE SPECIFIED, TOLERANCES FOR INCHES ARE:
.020 - .315 = ± 0.007"
.315 - 1.180 = ± 0.015"
1.180 - 4.724 = ± 0.020"

DO NOT SCALE DRAWING	CAD FILE	DWG. NO.	REV.	SIZE	SCALE
	C:/142/142249-75.DWG	142249-75.DWG	A	A	NA

**Amphenol Connex**

PART DESCRIPTION  
**MINI 75 OHM SMB BULKHEAD JACK TO JACK ADAPTER**

PART NO. **142249-75**