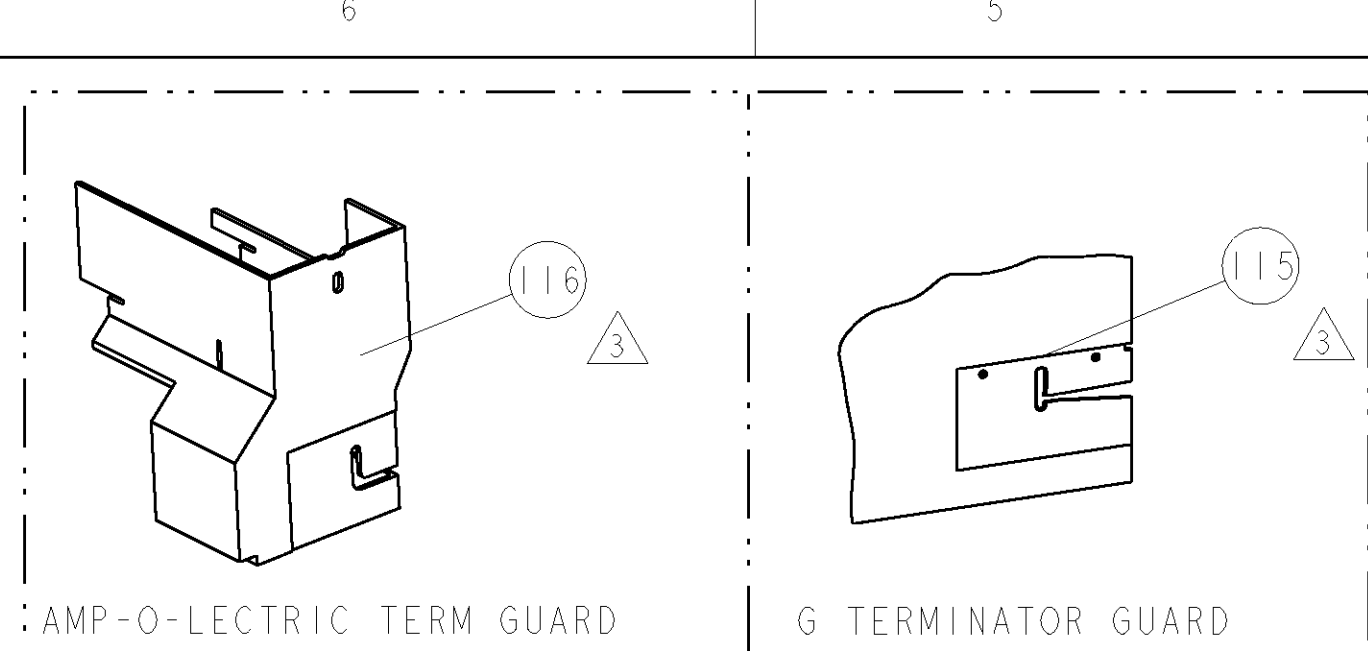


PART NUMBER	REV	FIRST USED	POWER UNIT	FEED TYPE	DESCRIPTION
1852372-1	A	122500-1	LEADMAKER	POST FEED	CUTS CARRIER
1852372-2	A	565435-5	BENCH MODEL K	PRE FEED	CUTS CARRIER
1852372-3	A	354500-1	BENCH MODEL G	PRE FEED	CUTS CARRIER
1852372-6	A	122500-1	LEADMAKER	POST FEED	CONTINUOUS CARRIER
7-1852372-7	A	-	-	-	SPARE PARTS

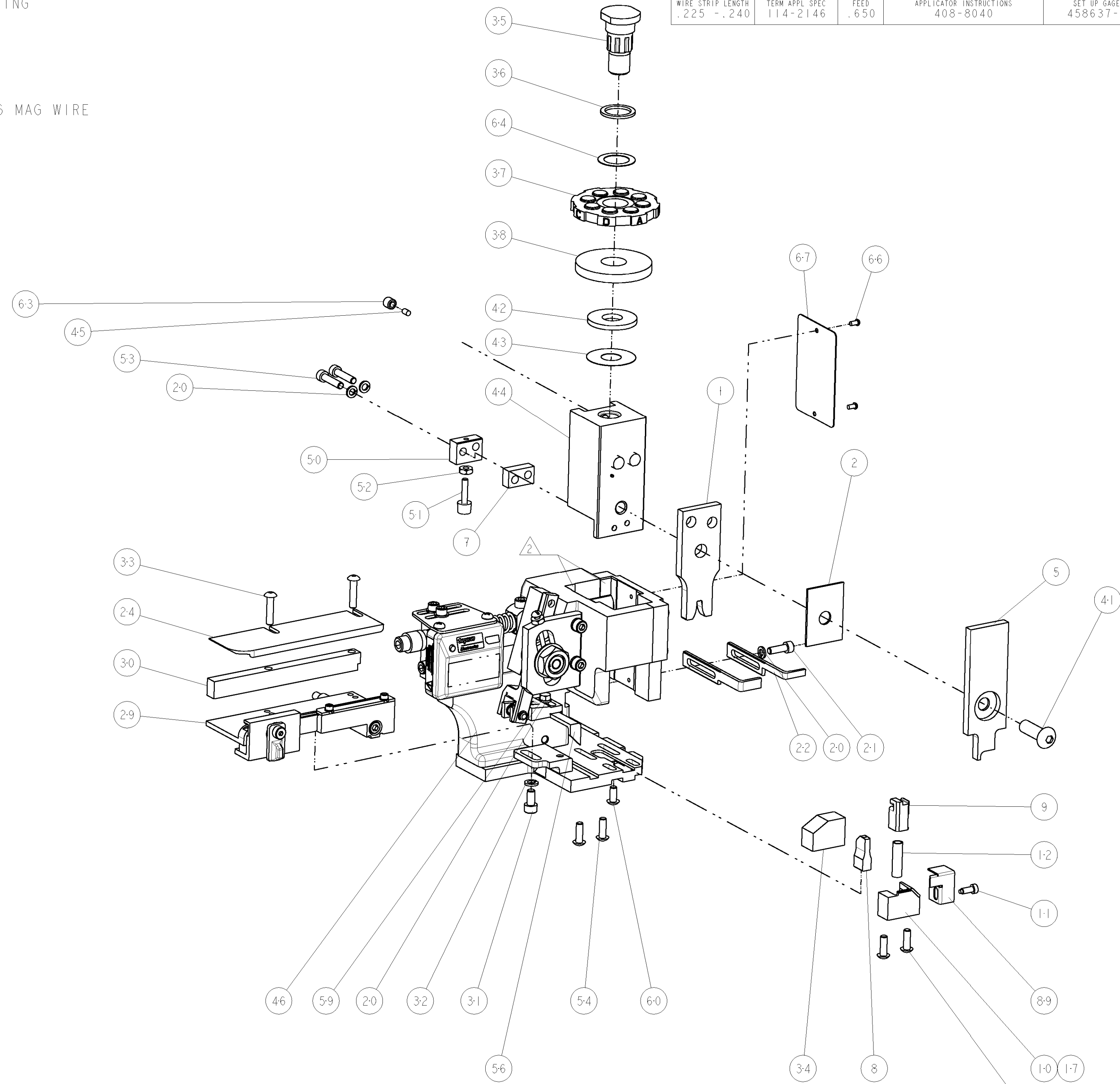
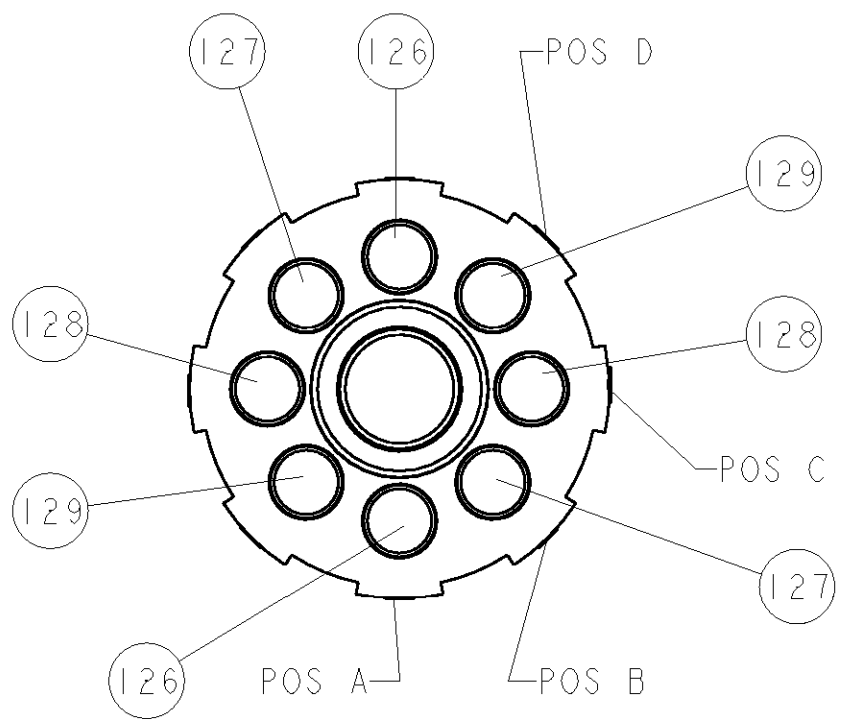


TERMINAL NAME: .250 SERIES AMPLIVAR TAB

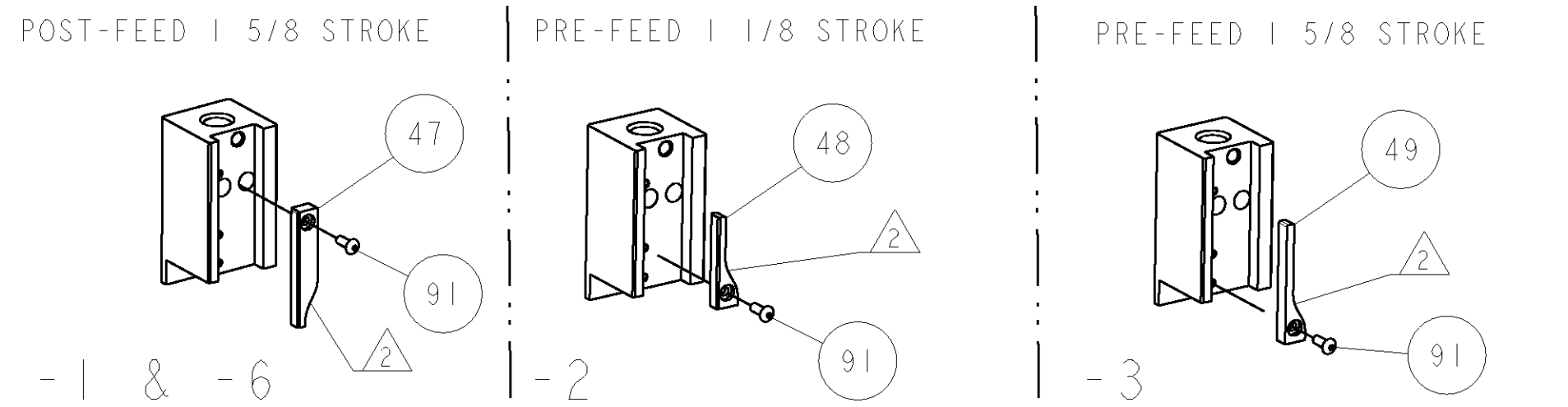
TYCO PN	AMP TERMINAL - AMP CRIMP SPECS
1742265-1	
	CRIMP HEIGHT
A	.098±.002 [2.49±0.05mm]
B	.094±.002 [2.39±0.05mm]
C	.090±.002 [2.29±0.05mm]
D	.085±.002 [2.16±0.05mm]
	CRIMP SIZE TYPE RANGE
	WIRE .140 [3.56mm] F 3000-7000 CMA
	INSUL - - -
WIRE STRIP LENGTH	TERM APPL SPEC
.225 - .240	114-2146
	FEED .650
	APPLICATOR INSTRUCTIONS 408-8040
	SET UP GAGE 458637-1

LOC	DIST	REV	DESCRIPTION	DATE	BY	APPD
A	66		RELEASED	05JAN2007	MEH	TE

- RECOMMENDED SPARE PARTS
- GREASE LIGHTLY
- GUARD MUST BE IN PLACE WHEN OPERATING APPLICATOR IN A BENCH MACHINE
- REFER TO TERMINAL CUSTOMER DRAWING FOR CRIMP HEIGHT CALCULATIONS.
- SET-UP WIRE SIZES:
 PAD-A: (1) #15 MAG WIRE & (1) #16 MAG WIRE
 PAD-B: (1) #13 MAG WIRE
 PAD-C: (1) #14 MAG WIRE
 PAD-D: (1) #15 MAG WIRE



-	2	2	2	2	-	7-354778-9	PIN, WIRE DISC, .2890	129
-	2	2	2	2	-	6-354778-7	PIN, WIRE DISC, .2830	128
-	2	2	2	2	-	5-354778-9	PIN, WIRE DISC, .2790	127
-	2	2	2	2	-	4-354778-9	PIN, WIRE DISC, .2740	126
-	-	-	REF	-	..	455749-1	GUARD WINDOW	116
-	-	-	REF	-	..	679532-1	INSERT, GUARD	115
-	1	1	1	1	-	1-21002-7	SCR, BTN SKT HD CAP 6-32 X .375	91
-	1	1	1	1	-	318563-1	GUARD, FRONT CHIP	89
-	1	1	1	1	-	4088040	SF APPL INST 408-8040	72
-	1	1	1	1	-	217238-1	GENERAL INSTRUCTION PKG	71
-	1	1	1	1	-	461264-1	PLATE, IDENTIFICATION	67
-	2	2	2	2	-	21017-2	SCREW, DRIVE	66
-	1	1	1	1	-	986950-1	WASHER, FLAT PRECISION	64
-	1	1	1	1	-	21009-2	SCR, SET, SELF LOCKING 1/4-20 X .250	63
-	1	1	1	1	-	22733-8	SCR, BHSC, SELF-LOCKING, 8-32 X .375	60
-	1	1	1	1	-	2-22603-0	SCR, HEX HD CAP 8-32 X .312	59
-	1	1	1	1	-	458537-2	PAWL, FEED	56
-	4	4	4	4	-	2-21002-2	SCR, BTN SKT HD CAP 8-32 X .500	54
-	2	2	2	2	-	2-21000-9	SCR, SKT HD CAP 8-32 X .750	53
-	1	1	1	1	-	21018-5	NUT, HEX, REG 6-32	52
-	1	1	1	1	-	811242-2	BUMPER, HOLD DOWN	51
-	1	1	1	1	-	690753-1	SPACER, TONKER	50
-	-	-	-	-	..	690602-6	CAM, PRE FEED, 1 5/8	49
-	-	-	-	-	..	690602-5	CAM, PRE FEED, 1 1/8	48
-	-	-	-	-	..	690501-4	CAM, POST FEED, 1 5/8	47
-	1	1	1	1	-	459456-1	APPL. BASIC SUB ASSY (SIDE WISE MOCA)	46
-	1	1	1	1	-	690191-1	PLUG, NYLON	45
-	1	1	1	1	-	455673-5	RAM, SIDE FEED	44
-	1	1	1	1	-	690125-1	SHIM SUB-ASSY	43
-	1	1	1	1	-	690124-1	WASHER, RAM (.115)	42
-	1	1	1	1	-	7-21002-9	SCR, BTN SKT HD CAP 5/16-24 X 1.00	41
-	1	1	1	1	-	690223-2	SPACER, INS.	38
-	1	1	1	1	-	354777-1	WIRE DISC, ASSEMBLY	37
-	1	1	1	1	-	22480-5	SPRING, COMPRESSION	36
-	1	1	1	1	-	690212-1	POST, RAM	35
-	1	1	1	1	-	690786-4	TERMINAL SUPPORT	34
-	2	2	2	2	-	2-21002-4	SCR, BTN SKT HD CAP 8-32 X .750	33
-	1	1	1	1	-	21024-5	WASHER, SPRG LOCK, REG NO 10	32
-	1	1	1	1	-	3-21000-4	SCR, SKT HD CAP 10-32 X .375	31
-	1	1	1	1	-	1320908-9	SPACER, STRIP GUIDE	30
-	1	1	1	1	-	1633091-1	ASSEMBLY, STRIP GUIDE	29
-	1	1	1	1	-	1320928-1	PLATE, STRIP GUIDE	24
-	1	1	1	1	-	690472-2	STRIPPER	22
-	1	1	1	1	-	2-21000-7	SCR, SKT HD CAP 8-32 X .500	21
-	4	4	4	4	-	21024-4	WASHER, SPRG LOCK, REG NO 8	20
-	-	-	-	-	..	690472-1	STRIPPER	19
-	1	1	1	1	-	679625-1	SHEAR HOLDER, FRONT (NO CUT)	17
-	1	1	1	1	-	3-22280-3	SPRING, COMPRESSION	12
-	1	1	1	1	-	690461-1	STOP, SHEAR	11
-	-	-	-	-	..	690459-1	SHEAR HOLDER, FRONT	10
-	1	1	1	1	-	454276-1	FLOATING SHEAR, FRONT	9
-	1	1	1	1	-	1633359-4	ANVIL, AMPLIVAR	8
-	1	1	1	1	-	2-240641-5	SPACER	7
-	1	1	1	1	-	3-455889-8	DEPRESSOR, SHEAR	5
-	1	1	1	1	-	1-455888-0	SPACER, CRIMPER	2
-	1	1	1	1	-	4-1673600-7	CRIMPER, WIRE	1



INCHES	TOLERANCES UNLESS OTHERWISE SPECIFIED:	FINISH	WEIGHT	CUSTOMER DRAWING
0 PLC ±.01	1 PLC ±.01	2 PLC ±.01	3 PLC ±.01	4 PLC ±.01
ANGLES ±.0001				

DATE	04DEC2006	BY	HERR
CHKD	05DEC2006	BY	ELBIN
APVD	05DEC2006	BY	BENCHOFF
PRODUCT SPEC		NAME	SIDE FEED HDM APPLICATOR
APPLICATION SPEC		SIZE	CAGE CODE DRAWING NO
MATERIAL		WEIGHT	A1 00779 C=1852372
FINISH		SCALE	3:5
		SHEET	1 OF 1
		REV	A

CUSTOMER VIEWABLE ASSEMBLY