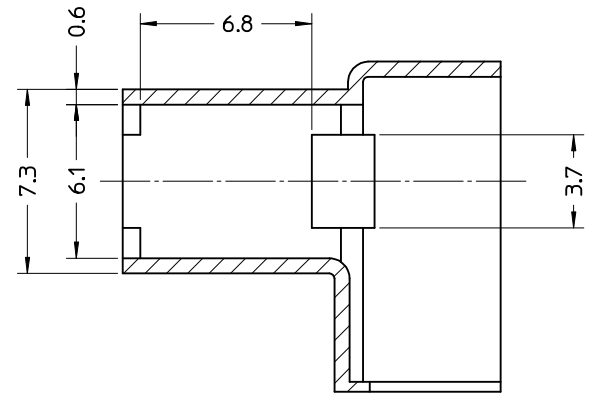


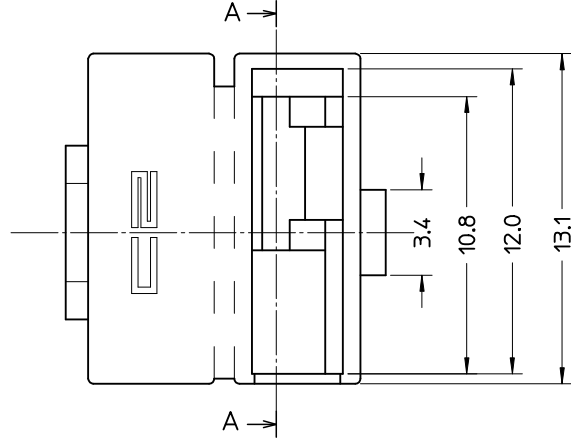
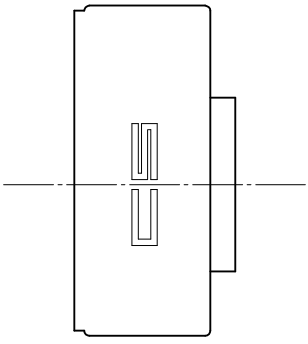
P/N	MATERIAL/COLOR
94548-0111	NYLON 6.6 V2 BLACK

PACKAGING (SPQ): 20.000 pcs Loose in plastic bag, inside carton box.  
 Plastic bags are sealed and contain water for part moisturizing (according to AS-45499-001 norm).  
 Customer shall moisturize parts (according to AS-45499-001 norm) in case partial bags are re-sealed at their site.

SEC. A-A



HOUSING CON SPORTELLO CHIUSO  
*HOUSING WITH CLOSED DOOR*



Std. Descr.: HSG FOR 4.8 F TERM RA BLACK

EC NO: Z2018-0006 DRWN:LSANTESS 2017/08/02 CHKD:LSANTESS 2017/08/03 APPR:PZANGIROLAMI 2017/08/03	QUALITY SYMBOLS = 0 = 0	GENERAL TOLERANCES (UNLESS SPECIFIED)		DIMENSION STYLE <b>MM ONLY</b>		SCALE <b>5:1</b>	DESIGN UNITS <b>METRIC</b>	FIRST ANGLE PROJECTION
		4 PLACES ± --- ± ---	DRAWN BY LSANTESS	DATE 2002/05/16	TITLE <b>HOUSING 1 CKT FOR 4.8 FLAG TERMINAL</b>			
		3 PLACES ± --- ± ---	CHECKED BY MTESTAGU	DATE 2002/05/16	MOLEX INCORPORATED			
		2 PLACES ± --- ± --- 1 PLACE ± 0.2 ± ---	APPROVED BY GZUIN	DATE 2002/05/16	MATERIAL NO. <b>94548-0111</b>	DOCUMENT NO. <b>SD-94548-001</b>	SHEET NO. <b>1 OF 1</b>	
B1	REV	DRAFT WHERE APPLICABLE MUST REMAIN WITHIN DIMENSIONS		SIZE <b>A3</b>	THIS DRAWING CONTAINS INFORMATION THAT IS PROPRIETARY TO MOLEX INCORPORATED AND SHOULD NOT BE USED WITHOUT WRITTEN PERMISSION			