



Slide Beam2424-168

SKU: 60838 Weight: 101.60 Gram

What Is Slide Beam2424-168?

Slide Beam2424-168 is a frequently-used mechanical part of Makeblock platform, and also compatibles with most Makeblock mechanical components. There are various mounting holes and a threaded slot on the plane of this beam which allow you to assemble on other structures easily.

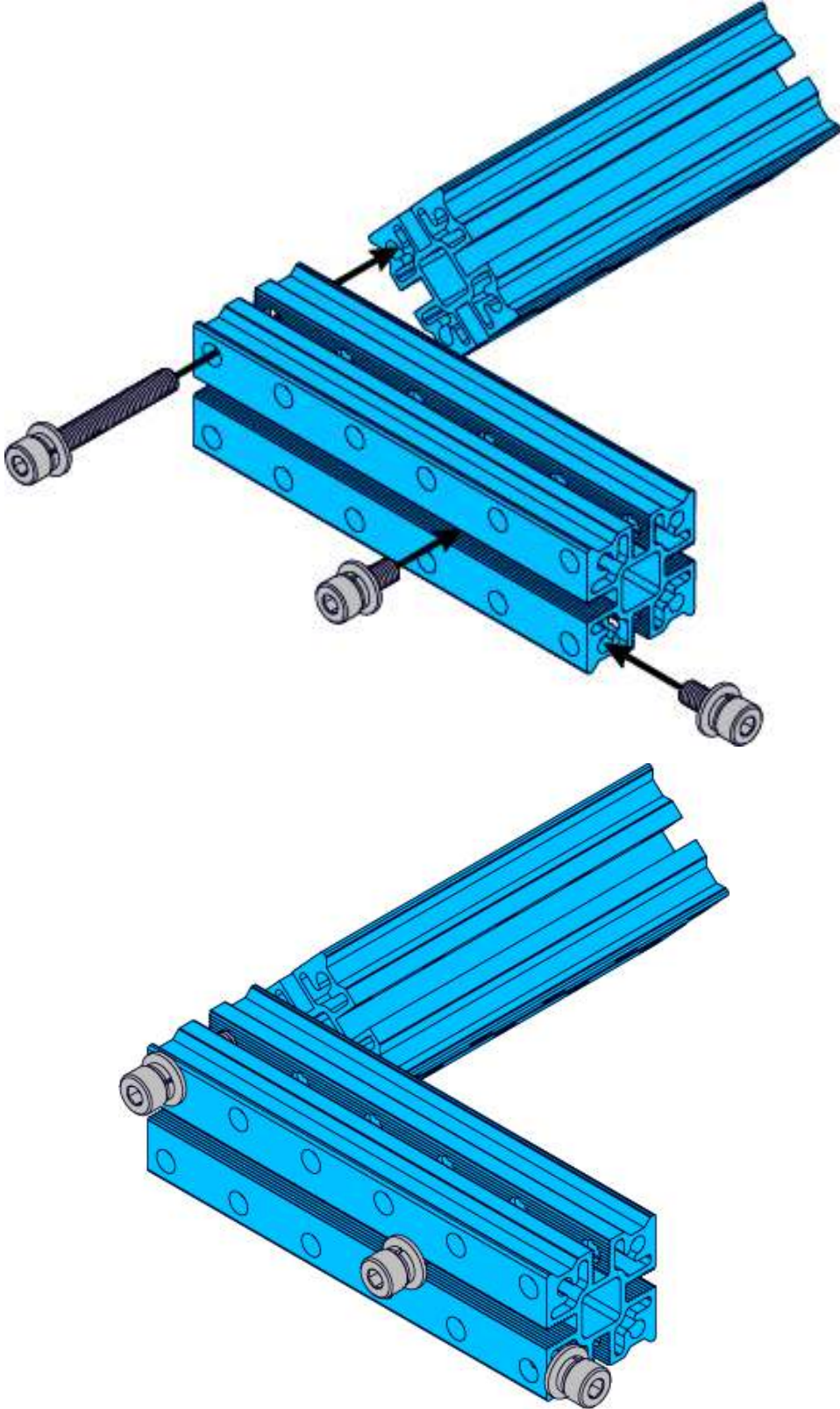
Features

? Made from heavy-duty 6061 aluminum extrusion and has a nice appearance. With holes on 16mm increments, and M4 threaded holes on both ends.

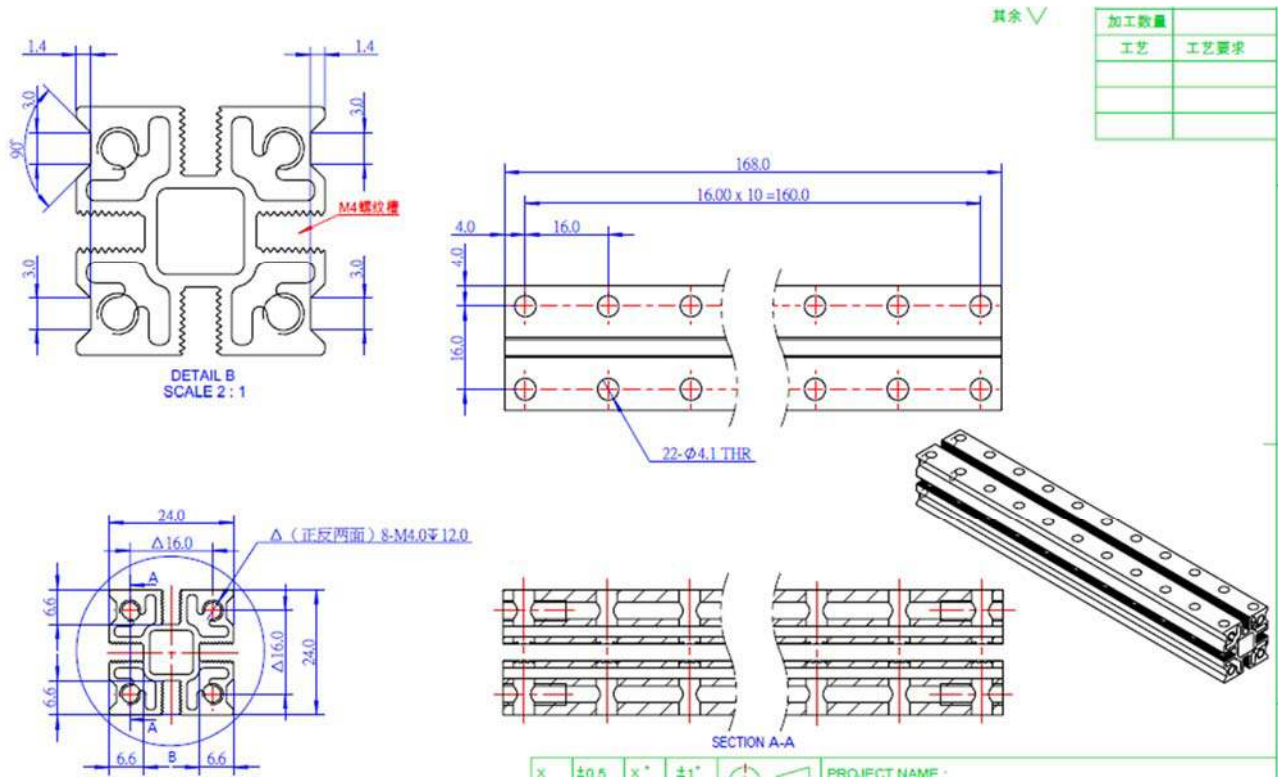
? High wear resistance, strong rigidity and high intensity.

? Cross-section area: 24*24mm, length: 168mm.

DEMO



Size Charts



Specifications	
SKU	60838
Product Name	Slide Beam2424-168
Length	168mm
Cross-section Area	24x24x168mm
Gross Weight	101.6g(3.58oz)
Package Content (Quantity x Part Name)	1 x Slide Beam2424-168