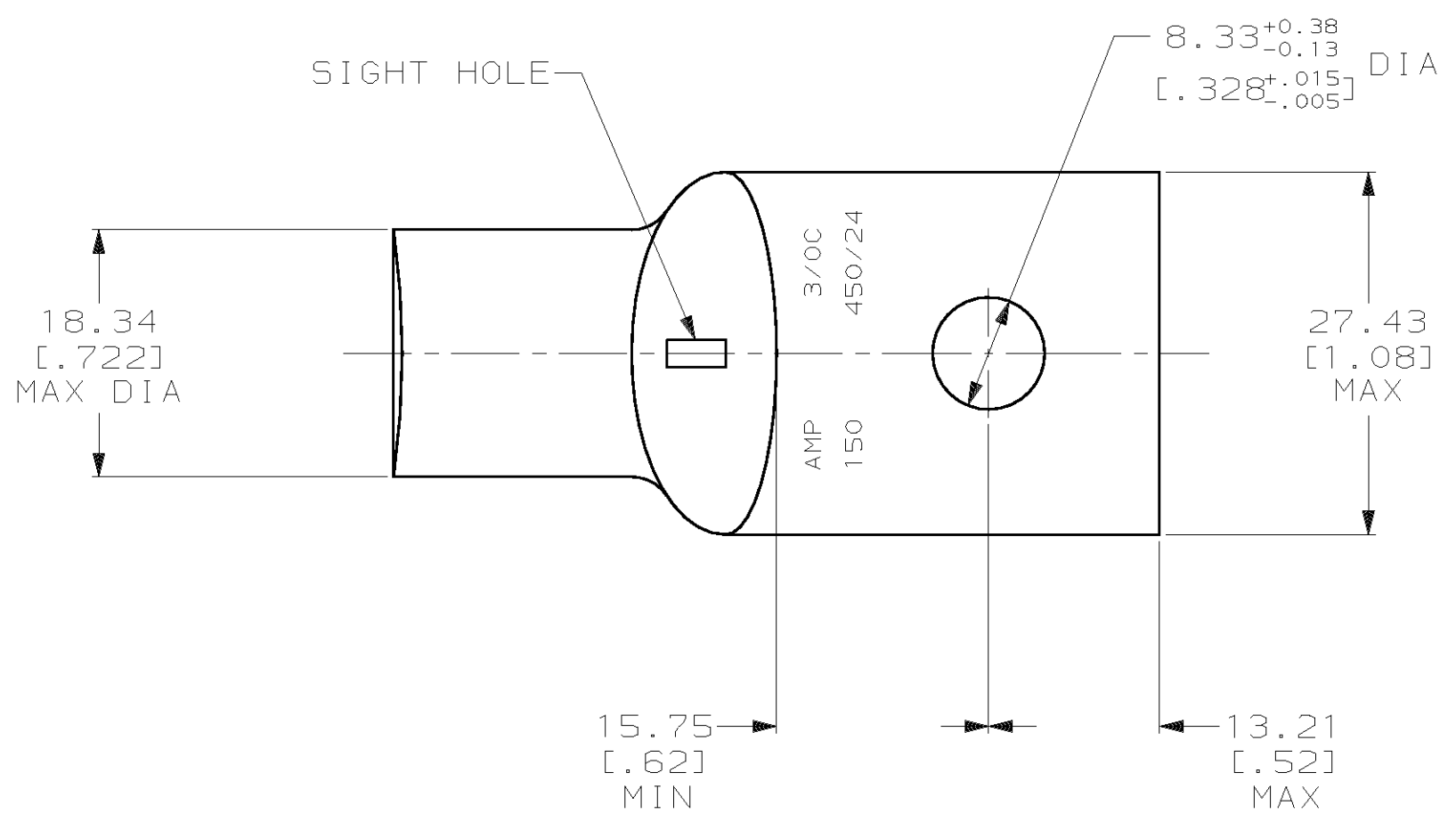
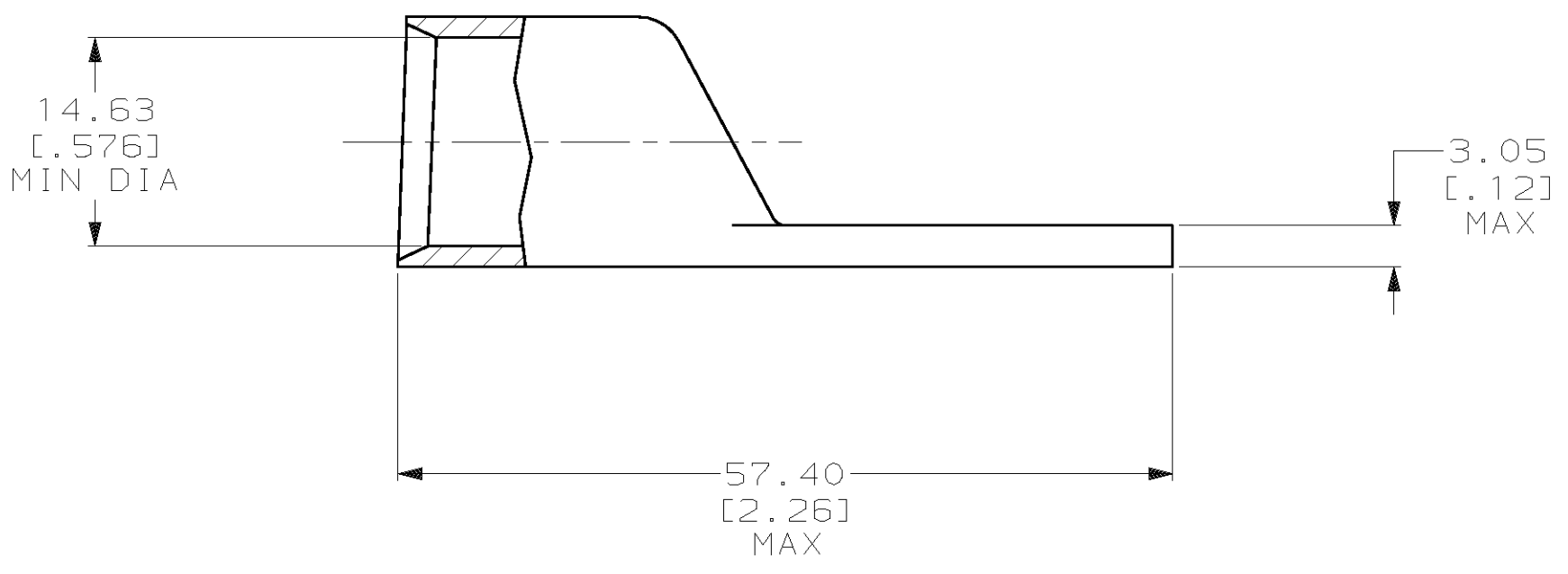


THIS DRAWING IS UNPUBLISHED. RELEASED FOR PUBLICATION ,19 .  
 © COPYRIGHT 19 BY AMP INCORPORATED. ALL INTERNATIONAL RIGHTS RESERVED.

LOC		DIST		P		F		ZONE		LTR		REVISIONS		DATE	APPD
G		86								N		REV PER 0G3A-0561-01		07OCT02	JR/MS



1 CIRCULAR MIL AREA RANGE: 150,500-190,000 CM  
 2 TIN PL 0.00381 [.000150] MIN THK PER MIL-T-10727



**METRIC**

DO NOT SCALE PRINT. UNLESS SPECIFIED DIMENSIONS IN mm [INCHES] TOLERANCES ON : 2 PLC DEC ± 0.51 [.020] 3 PLC DEC ± - ANGLES ± -		DR 02/28/90 DK SCHRUM		AMP INCORPORATED Harrisburg, Pa. 17105	
MATERIAL ANNEALED COPPER ASTM B-75		CHK 18JAN95 MS FEHER			
FINISH 2		APPD 18JAN95 WJ VOCKROTH		NAME TERMINAL, AMPPOWER, WIRE SIZE: 3/0 AWG	
APPLICATION SPEC -		APPD 18JAN95 TL SHUTTER		DRAWING NO 325502	
WEIGHT .076 LB		PRODUCT SPEC -		CAGE CODE 00779	
		SCALE 2:1		SHEET 1 OF 1	

325502

A