

**Technical specification:**

Rated voltage:	30 V
IEC 61076-2-101	
Current rating:	4 A at 40°C
IEC 61076-2-101	
Insulation resistance:	>=100 MΩ
IEC 60512	
Pollution degree:	3/2
IEC 60664-1	
Degree of protection:	IP 67, in mated condition
IEC 60529	
Temperature range:	-30°C ... +80°C
Mating cycles:	>=100
IEC 60512-9a	

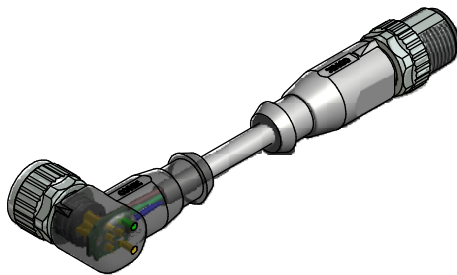
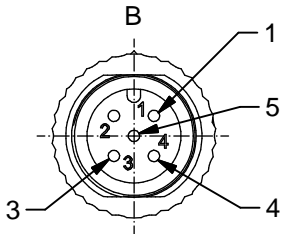
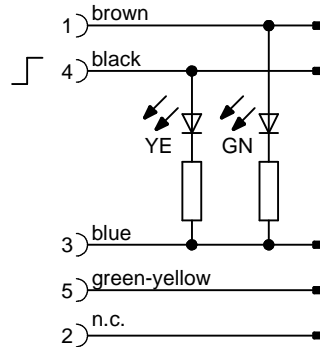
**Materials:**

Contact:	CuZn
Contact plating:	Nickel, gold plated
Contact carrier:	PA6, UL 94
Sealing:	FPM
Coupling nut/screw:	GD-Zn, nickel plated
Moulding body axial:	TPU, UL 94, grey
Moulding body angled:	TPU, UL 94, translucent

**Installation specification:**

Recommended torque:	0,6 Nm
Conec installation tool:	Torque wrench: 36-000200 Insert across flats 13: 36-000220

**Contact assignment:**



D see data sheet cable

Part no:	Description:	Length L:	Cable:
43-10404	SAL - 12 - RKW5.2 - RS5.2 - 2L - 0,3 / A1	0,3m	PVC, grey, 4x0,34mm <sup>2</sup> Cable: 781-A13400
43-10405	SAL - 12 - RKW5.2 - RS5.2 - 2L - 0,6 / A1	0,6m	
43-10406	SAL - 12 - RKW5.2 - RS5.2 - 2L - 1,5 / A1	1,5m	
43-10407	SAL - 12 - RKW5.2 - RS5.2 - 2L - 3 / A1	3m	
43-xxxxx	SAL - 12 - RKW5.2 - RS5.2 - 2L - ... / A1	x	

DO NOT ALTER CAD DRAWING BY HAND Directive 2002/95/EC RoHS compliant	dim. in mm		title: <b>Connecting cable M12x1, female connector angled with LED - male connector axial</b>	
	date	name		
	tolerance of cable:	L ≤ 4m: L + 40mm L > 4m: L + 1%	drawn	23.01.13 Christen
	general tolerance:	0 ± 0,50mm 0,0 ± 0,25mm 0,00 ± 0,10mm	appd.	23.01.13 Mankopf
<b>CONEC</b> ®			dwg no: <b>43K1A454</b>	
THIS DRAWING MAY NOT BE COPIED OR REPRODUCED IN ANY WAY, AND MAY NOT BE PASSED ON TO A THIRD PARTY WITHOUT WRITTEN PERMISSION. OWNERSHIP AND COPYRIGHT OF CONEC GmbH			part no:	