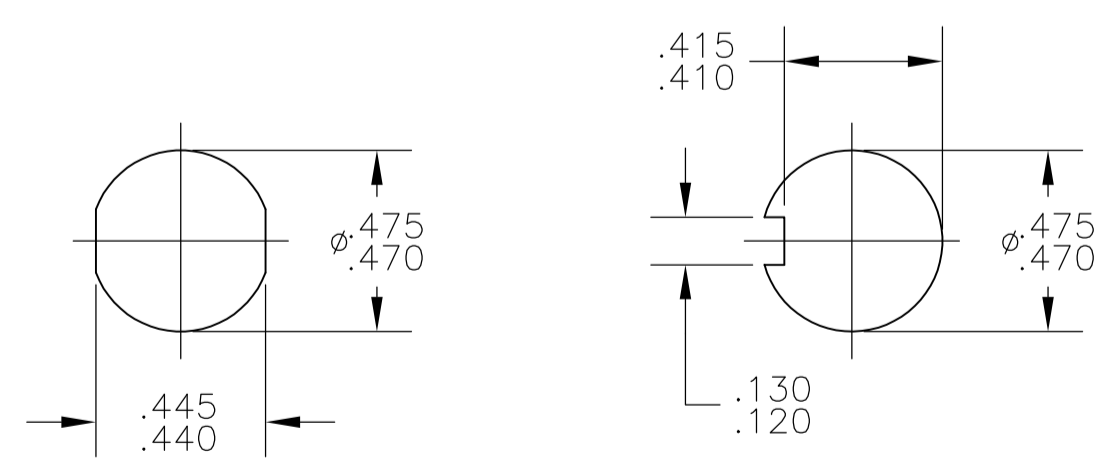


- NOTES:
- ALL MATERIALS AND FINISHES COMPLY WITH EU DIRECTIVE 2002/95/EC OF 27JAN2003 (RoHS).
 - TERMINAL NUMBERS ARE FOR REFERENCE ONLY AND DO NOT APPEAR ON THE SWITCHES.
 - MOUNTING HARDWARE: (1) HEX NUT AND (1) INTERNAL TOOTH LOCKWASHER SUPPLIED WITH SWITCH.

MATERIAL CHART		
COMPONENT NAME	BASE MATERIAL	FINISH
CASE	PP0, BLACK, UL94-HB	
ROCKER	NYLON 6/6, BLACK, UL94-V2	
SPRING	MUSIC WIRE	
SPRING, G FUNCTION	MUSIC WIRE	
INSULATOR	POLYETHERIMIDE, NATURAL	
TERMINAL, END, D, E & G FUNCTIONS	SILVER CLAD COPPER	GOLD OVER NICKEL
TERMINAL, CENTER, D, E & G FUNCTIONS	BRASS	GOLD OVER NICKEL
YOKE, E FUNCTION	BRASS	GOLD OVER NICKEL
ROCKER CONTACT	SILVER CLAD COPPER	
ROCKER CONTACT, G FUNCTION	SILVER CLAD COPPER	SILVER
NUT	BRASS	NICKEL
LOCKWASHER	STAINLESS STEEL	
TERMINAL SEAL	ACRYLIC RESIN	
LED WINDOW	ACRYLIC, TRANSPARENT	
LED		

SPECIFICATION CHART	
RATING	3A MAX @ 125 VAC OR 28 VDC, RESISTIVE
INITIAL CONTACT RESISTANCE	20 MILLIOHMS MAX.
INSULATION RESISTANCE	1,000 MEGAOHMS MIN @ 500 VDC
DIELECTRIC WITHSTANDING VOLTAGE	500 V RMS AT SEA LEVEL
ELECTRICAL LIFE, 2 POSITION	80,000 CYCLES
ELECTRICAL LIFE, 3 POSITION	10,000 CYCLES
MECHANICAL LIFE, 2 POSITION	100,000 CYCLES
MECHANICAL LIFE, 3 POSITION	50,000 CYCLES
OPERATING TEMPERATURE	-20°C TO +80°C
STORAGE TEMPERATURE	-45°C TO +95°C
LED VOLTAGE	2.8 VDC MAX.
LED FORWARD CURRENT, MAX.	RED: 20mA, GREEN: 25mA, RED/GREEN: 40mA



PANEL CUTOUTS
SCALE 2:1

FUNCTION CHART									
PART NUMBER	ALCO P/N	POLE	THROWS	RATING	LED COLOR				
1825426-1	TRD13D10WLLR204	1	2	3A	RED	ON	NONE	ON	
1825426-2	TRD13D10WLLR2504	1	2	3A	RED/GREEN	ON	NONE	ON	
1825426-3	TRD13D10WLLR504	1	2	3A	GREEN	ON	NONE	ON	
1825426-4	TRD13E10WLLR204	1	2	3A	RED	ON	OFF	ON	
1825426-5	TRD13G10WLLR204	1	2	3A	RED	(ON)	OFF	(ON)	
						TERMINALS CONNECTED	2-1	-	2-3

NONE: NO MECHANICAL POSITION
 OFF: MECHANICAL POSITION WITH NO ELECTRICAL CONNECTION
 (ON): MOMENTARY ACTION

THIS DRAWING IS A CONTROLLED DOCUMENT.

DIMENSIONS: INCHES	TOLERANCES UNLESS OTHERWISE SPECIFIED:	0 PLC ± .010	1 PLC ± .005	2 PLC ± .005	3 PLC ± .005	4 PLC ± .005	ANGLES ± .5°	FINISH SEE TABLE
DWN: M. ZITTO CHK: M. ZITTO DATE: 17JUN06 NAME: M. ZITTO PRODUCT SPEC: TRD SERIES ROCKER SWITCH APPLICATION SPEC: 1 POLE, 3A, WIRE LUG TERMINALS WITH LED		SIZE: A1 CAGE CODE: 00779 DRAWING NO: 1825426		RESTRICTED TO: - SCALE: 4:1 SHEET: 1 OF 1 REV: A				

THIS DRAWING IS A CONTROLLED DOCUMENT. Tyco Electronics Corporation Harrisburg, Pa 17105-3608