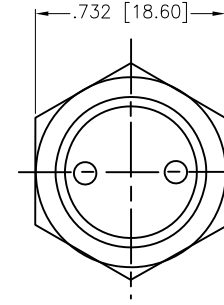
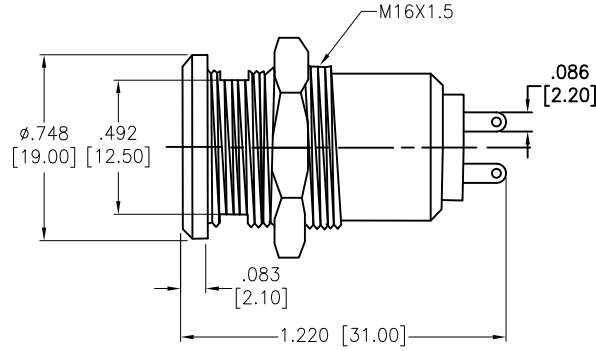
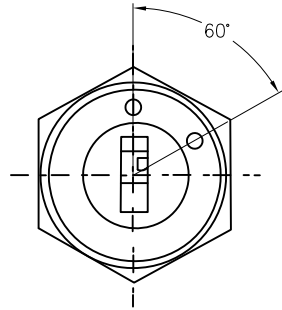
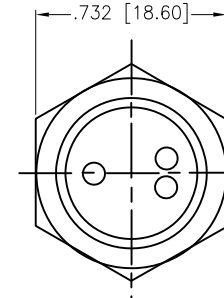
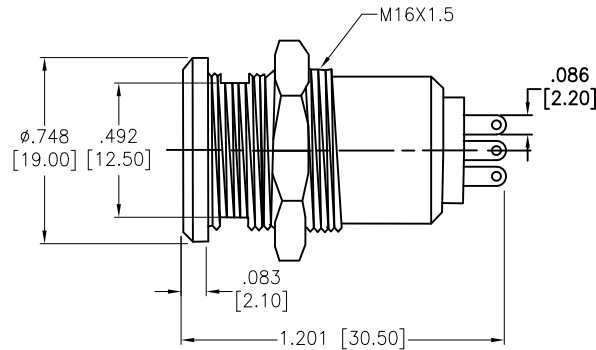
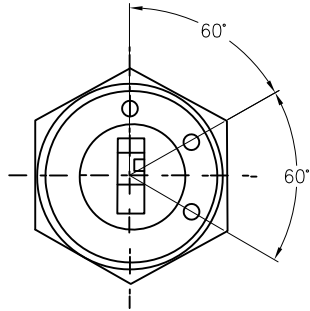


APPROVED: _____
 DATE: _____ TITLE: _____

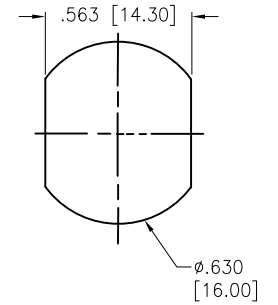
Rev	AWO #	Description	Date	Appr
-		RELEASED	11/5/20	
A		UPDATE DRAWING	5/12/21	JJ/RC



SPST (K7A)
ON-OFF



SPDT (K7B)
ON-OFF-ON



RECOMMENDED PANEL CUT

	FUNCTION
K7A	ON-OFF
K7B	OFF-ON-ON

SW-R-K7X-X

	SPEC.
A	Key pulled on both positions. Note: this would be our standard
B	Key pulled on 1 position

SPECIFICATIONS:

Material:
 Body: Steel, Polished Chrome
 Electrical:
 The rated load: 250 VAC, 2A
 28 VDC, 4A
 Contact resistance: 35 mΩ max
 Insulation resistance: 1000 MΩ min (500VDC)
 Dielectric withstanding voltage: 1500 VAC for 1 minute
 Electrical life: ≧10000 Cycles
 Temperature Rating:
 Operating temperature: -25°C to +85°C
 Environmental:
 Lead free, RoHS compliant



UNLESS OTHERWISE SPECIFIED ALL DIMENSIONS ARE INCHES [MM]. TOLERANCES: EXCEPT AS NOTED

INCHES	HOLES
.X ± .10	ØX ± .10
.XX ± .020	ØXX ± .015
.XXX ± .015	ØXXX ± .010



909 Rahway Avenue,
 Union, NJ 07083
 Phone: 908-687-5000
 Fax: 908-687-5710

DRAWN	OW	11/5/20
CHECKED	AC	11/5/20
APPROVED		

TITLE
 SWITCH, KEY LOCK, 16MM, ON-OFF / ON-OFF-ON,
 OFF-ON-ON, PANEL MOUNT, SOLDER TERMINAL

THIS DRAWING CONTAINS INFORMATION THAT IS PROPRIETARY AND SHOULD NOT BE USED WITHOUT PRIOR WRITTEN PERMISSION FROM ADAM TECH

SIZE	PART NO.	REV.
X	SW-R-K7X-X	A

REF: S00206C SCALE: NTS SHEET 1 OF 1