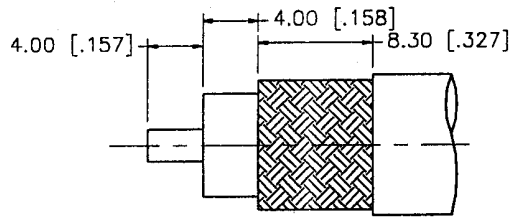
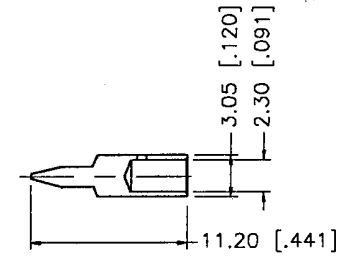
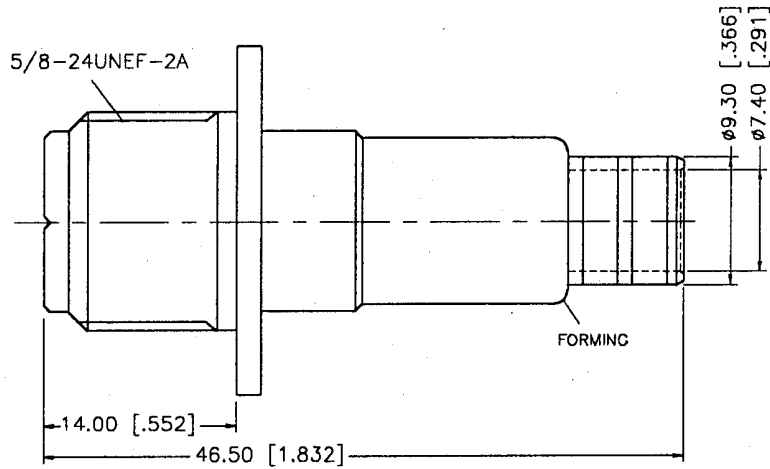
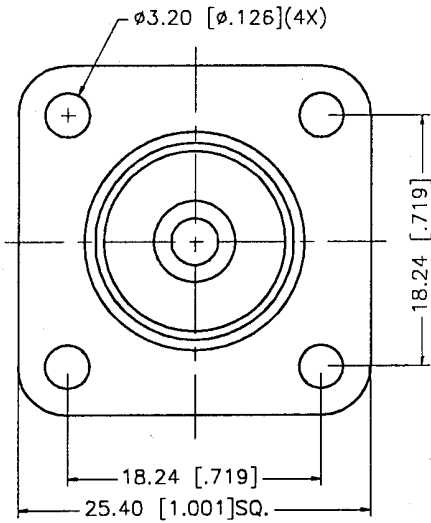


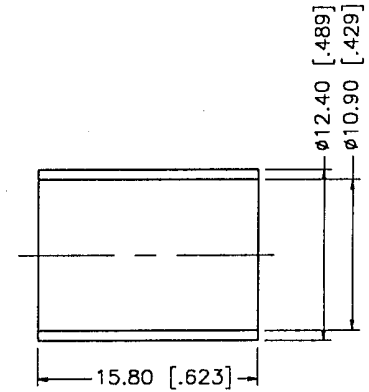
REV.	DATE	DESCRIPTION
NC	01/04/00	INITIAL RELEASE



RECOMMENDED
CABLE STRIPPING DIM'S

NOTES:

1. CRIMP FERRULE
HEX CRIMP SIZE .429"
2. CENTER CONTACT
HEX CRIMP SIZE .100"



DESCRIPTION	MATERIAL	FINISH	UNLESS OTHERWISE SPECIFIED DIMENSIONS ARE IN MILLIMETERS	APPROVALS	DATE	<h1>Amphenol Connex</h1>							
1 BODY	BRASS	NICKEL	DIMENSIONS IN [] ARE IN INCHES FOR CUSTOMER REFERENCE ONLY	DRAWN	G.R.S.					01/04/00	TITLE UHF PANEL CRIMP JACK (FOR RG-8/U CABLE)		
2 INSULATOR	TEFLON	NATURAL		CHECKED									
3 CONTACT PIN	BRASS	GOLD	UNLESS OTHERWISE SPECIFIED TOLERANCES FOR MILLIMETERS ARE: 0.5-6 = ± 0.2 6-30 = ± 0.4 30-120 = ± 0.6 120-315 = ± 1 315-1000 = ± 1.6 1000-2000 = ± 2.4	ISSUED			SIZE	FSCM NO.	DWG. NO.	REV.			
4 BARREL	BRASS	NICKEL		A	99001	182129.DWG	NC						
5 CONTACT PIN	BRASS	GOLD											
6 FERRULE	COPPER	NICKEL											
7													
8			DO NOT SCALE DRAWING			SCALE	NA	PART NO.	182129	SHEET	1 OF 1		