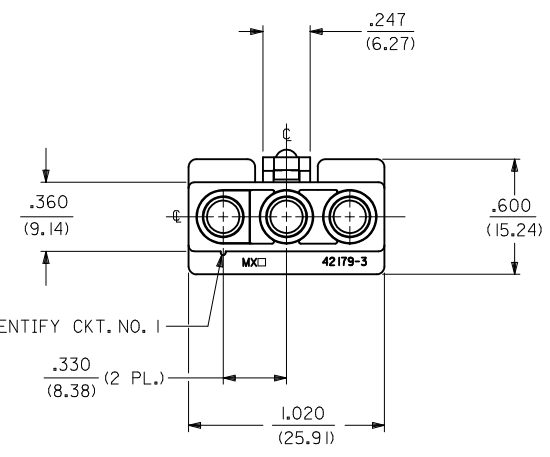


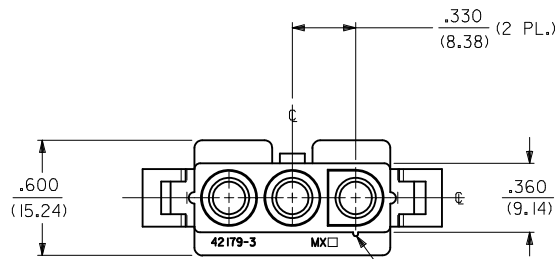
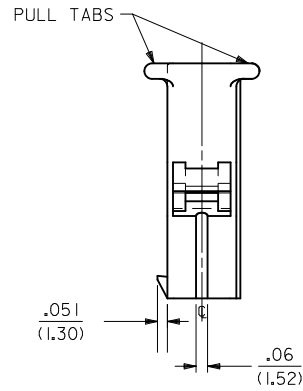
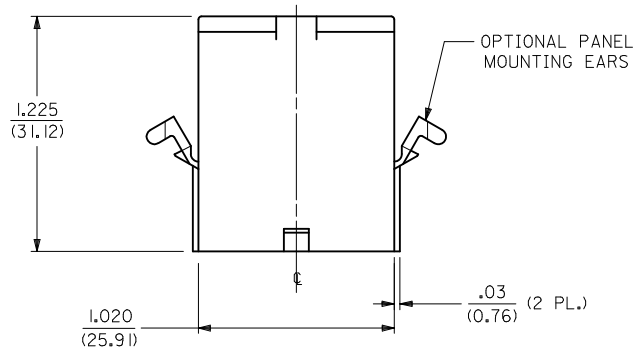
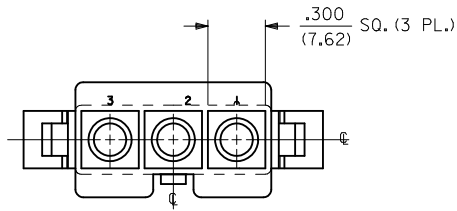
RECEPTACLE



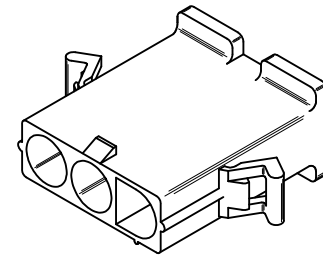
RIB TO IDENTIFY CKT. NO. 1

F	3	H
E	2	H
F	1	H

REVISE DIMENSION EC NO: UCP2011-3247 DRW: AELHAG 2011/04/20 CHKD: JBELL 2011/04/20 APPR: FSMITH 2011/05/02	QUALITY SYMBOLS 	GENERAL TOLERANCES (UNLESS SPECIFIED)		DIMENSION STYLE IN/MM	SCALE 2:1	DESIGN UNITS INCH	THIRD ANGLE PROJECTION		
		4 PLACES ± --- ± ---	mm INCH	DRAWN BY AELHAG	DATE 2011/04/20	TITLE .125/(3.17) HOUSING, PLUG AND RECEPTACLE, 3 CKT .330/(8.38) CTR			
		3 PLACES ± --- ± .007	± .18 ± .010	CHECKED BY JBELL	DATE 2011/04/20	MOLEX INCORPORATED			
		2 PLACES ± 0.18 ± .010	1 PLACE ± 0.25 ± ---	APPROVED BY (Signature)	DATE	MATERIAL NO. SEE CHART	DOCUMENT NO. SD-42179-3*	SHEET NO. 1 OF 3	
DRAFT WHERE APPLICABLE MUST REMAIN WITHIN DIMENSIONS		ANGULAR ± 1/2°		THIS DRAWING CONTAINS INFORMATION THAT IS PROPRIETARY TO MOLEX INCORPORATED AND SHOULD NOT BE USED WITHOUT WRITTEN PERMISSION					



RIB TO IDENTIFY CKT. NO. 1



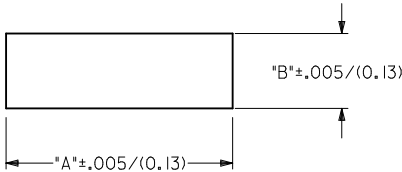
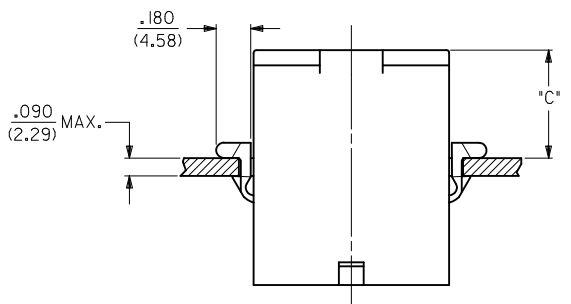
PLUG

UPDATE TITLE BLOCK EC NO: UCP2011-3247 DRWN: AELHAG 2011/04/20 CHKD: JBELL 2011/04/20 APPR: FSMITH 2011/05/02	QUALITY SYMBOLS 	GENERAL TOLERANCES (UNLESS SPECIFIED)		DIMENSION STYLE IN/MM	SCALE 2:1	DESIGN UNITS INCH	THIRD ANGLE PROJECTION													
			<table border="1"> <thead> <tr> <th></th> <th>mm</th> <th>INCH</th> </tr> </thead> <tbody> <tr> <td>4 PLACES ±</td> <td>---</td> <td>---</td> </tr> <tr> <td>3 PLACES ±</td> <td>---</td> <td>±.007</td> </tr> <tr> <td>2 PLACES ±</td> <td>0.18</td> <td>±.010</td> </tr> <tr> <td>1 PLACE ±</td> <td>0.25</td> <td>---</td> </tr> </tbody> </table>		mm	INCH	4 PLACES ±	---	---	3 PLACES ±	---	±.007	2 PLACES ±	0.18	±.010	1 PLACE ±	0.25	---	DRAWN BY DATE AELHAG 2011/04/20	TITLE .125 HOUSING, PLUG AND RECEPTACLE, 3 CIRCUIT, .330 CENTERS
		mm	INCH																	
	4 PLACES ±	---	---																	
3 PLACES ±	---	±.007																		
2 PLACES ±	0.18	±.010																		
1 PLACE ±	0.25	---																		
		CHECKED BY DATE JBELL 2011/04/20	APPROVED BY DATE _____	MOLEX INCORPORATED																
		MATERIAL NO. SEE CHART	DOCUMENT NO. SD-42179-3*	SHEET NO. 2 OF 3																
		DRAFT WHERE APPLICABLE MUST REMAIN WITHIN DIMENSIONS		THIS DRAWING CONTAINS INFORMATION THAT IS PROPRIETARY TO MOLEX INCORPORATED AND SHOULD NOT BE USED WITHOUT WRITTEN PERMISSION																

PLUG		RECEPTACLE	
PART NO.	ENG. NO.	PART NO.	ENG. NO.
03-12-2036	42179-3PI	03-12-1036	42179-3RI
03-12-2035	42179-3P	50-29-1608	42179-3RI-B

LEGEND:
42179-3***-*

CIRCUIT SIZE: _____
HOUSING TYPE: _____
P = PLUG
R = RECEPTACLE
MOUNTING EAR OPTION: _____
BLANK = WITH PREBENT EARS AND RIBS, PLUG ONLY
I = WITHOUT EARS
COLOR: _____
BLANK = TRANSLUCENT NATURAL COLOR
AM=AMBER BK=BLACK BU=BLUE
BN=BROWN GY=GRAY GN=GREEN
OR=ORANGE RD=RED YW=YELLOW
MATERIAL: _____
BLANK = MATERIAL CODE A.
B = MATERIAL CODE B.



RECOMMENDED HOLE CUTOUT

HOUSING	DIM. "A"	DIM. "B"	DIM. "C"
PLUG	1.181/(30.00)	.440/(11.18)	.57/(14.5)

- NOTES:**
- PART ACCEPTS A MAXIMUM .250/(6.35) INSULATION DIA.
 - FOR USE WITH ALL MOLEX .125/(3.17) DIAMETER SERIES TERMINAL EXCEPT THE I219/I220 SERIES.
 - MATERIAL CODES:-
A- NYLON 6/6, U.L. 94V-2.
B- NYLON 6/6, U.L. 94V-0.

UPDATE TITLE BLOCK EC NO: UCP2011-3247 DRWN: AELHAG 2011/04/20 CHKD: JBELL 2011/04/20 APPR: FSMITH 2011/05/02 REV:	QUALITY SYMBOLS	GENERAL TOLERANCES (UNLESS SPECIFIED)	DIMENSION STYLE IN/MM	SCALE 2:1	DESIGN UNITS INCH	THIRD ANGLE PROJECTION
	▽=0	4 PLACES ± --- INCH	DRAWN BY DATE AELHAG 2011/04/20	TITLE .125/(3.17) HOUSING, PLUG AND RECEPTACLE, 3 CKT .330/(8.38) CTR		
	▽=0	3 PLACES ± --- ±.007	CHECKED BY DATE JBELL 2011/04/20	MOLEX INCORPORATED		
	▽=0	2 PLACES ± 0.18 ±.010	APPROVED BY DATE	MATERIAL NO. SEE CHART	DOCUMENT NO. SD-42179-3*	SHEET NO. 3 OF 3
		1 PLACE ± 0.25 ± ---	DRAFT WHERE APPLICABLE MUST REMAIN WITHIN DIMENSIONS			
		ANGULAR ±1/2°	THIS DRAWING CONTAINS INFORMATION THAT IS PROPRIETARY TO MOLEX INCORPORATED AND SHOULD NOT BE USED WITHOUT WRITTEN PERMISSION			