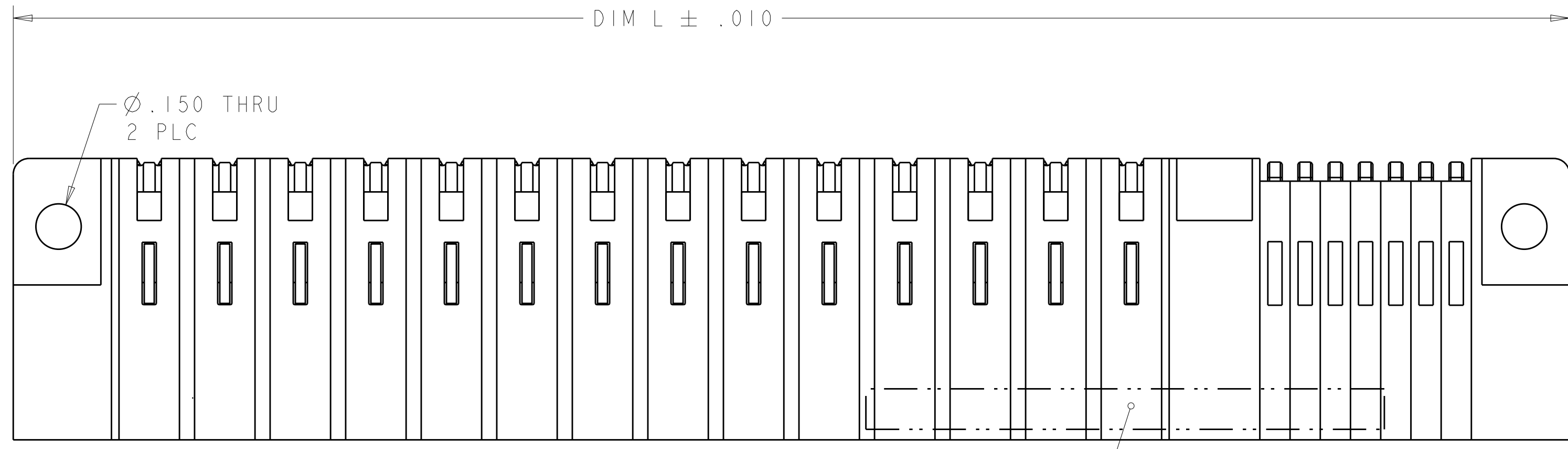
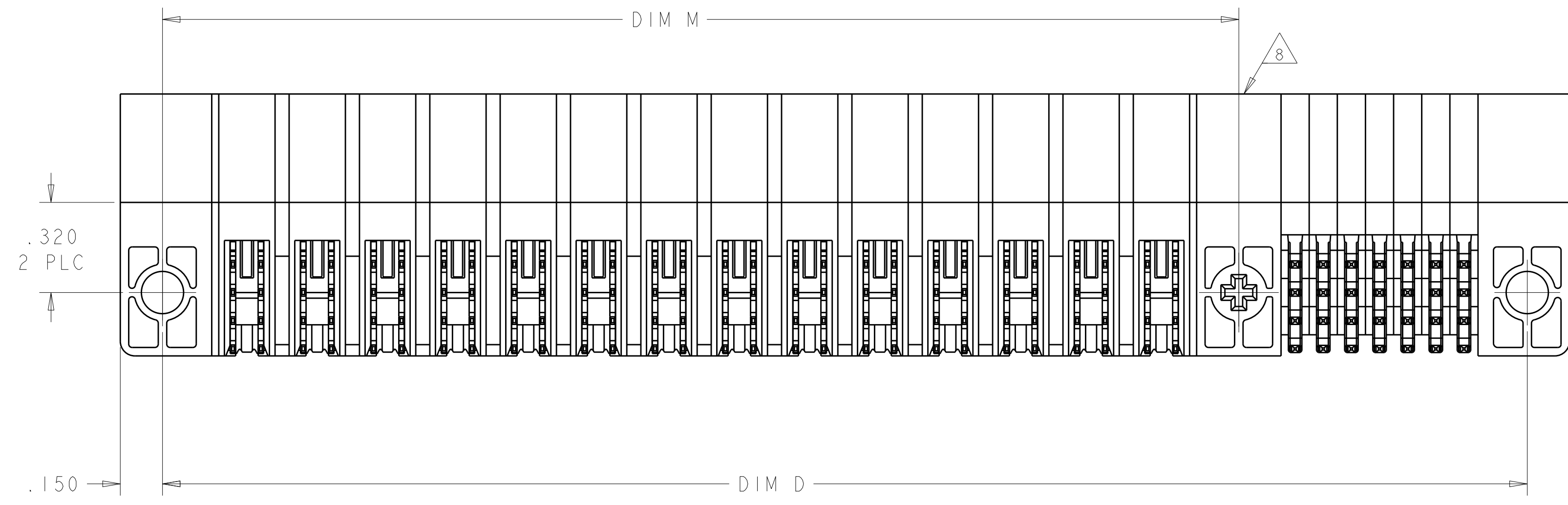
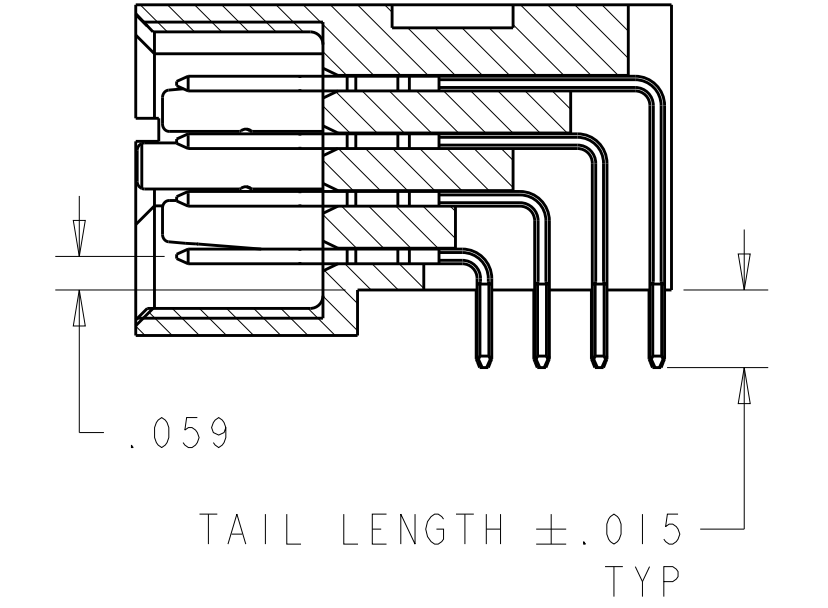
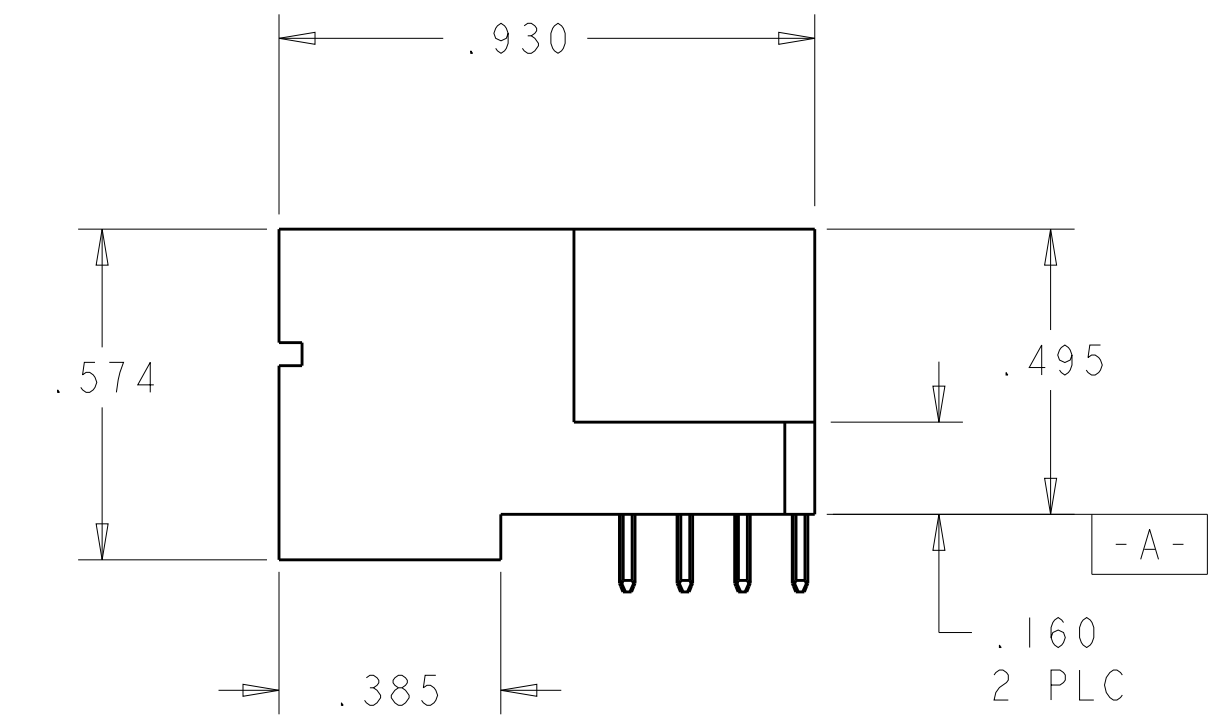
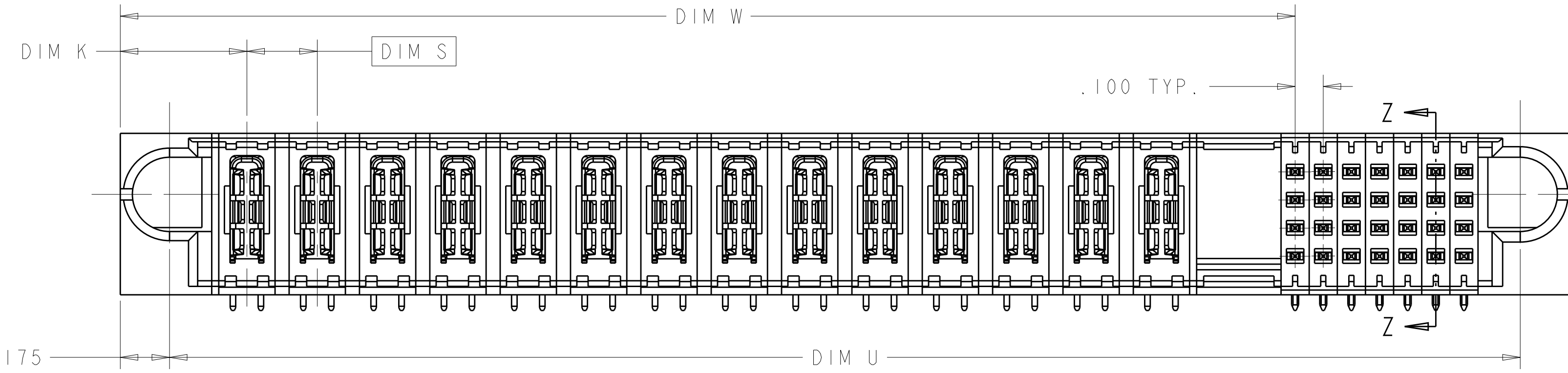


LOC		DIST		REVISIONS				
ES		00		REV	DESCRIPTION	DATE	DWN	APVD
A4	REV PER	ECR-11-006325				21MAR2011	1L	SZ
A5	REV PER	ECR-13-004638				20MAR2013	ML	SZ



- 1 "AMP", PART NUMBER, AND DATECODE TO BE MARKED IN AREA SHOWN.
- 2 MATERIAL: HOUSING - GLASS FILLED HIGH TEMP THERMO PLASTIC, UL94 V-0
 SIGNAL CONTACT - COPPER ALLOY
 POWER CONTACT - HIGH CONDUCTIVITY COPPER ALLOY
- 3 CONTACT PLATING: NOBLE METAL PLATING ON CONTACT FUNCTIONAL AREA OF POWER AND SIGNAL CONTACTS.
- 4 MECHANICAL CONNECTOR KEEP OUT ZONE.
- 5 DATUM AND BASIC DIMENSIONS ESTABLISHED BY CUSTOMER.
- 6 PCB - HOLE DIAMETERS ARE FINISHED HOLE SIZE.
- 7 PCB - .0453±.0010 DRILLED HOLES PLATED WITH .0003 MIN Sn OVER .001 TO .003 Cu PLATING TO ACHIEVE A .040 DIAMETER HOLE.
- 8 OPTIONAL CENTER MODULE
- 9 NOT RELEASED FOR PRODUCTION
- 10 VARIABLE DIMENSIONS SHOWN ON VIEW (SHEET 3 AND 4).



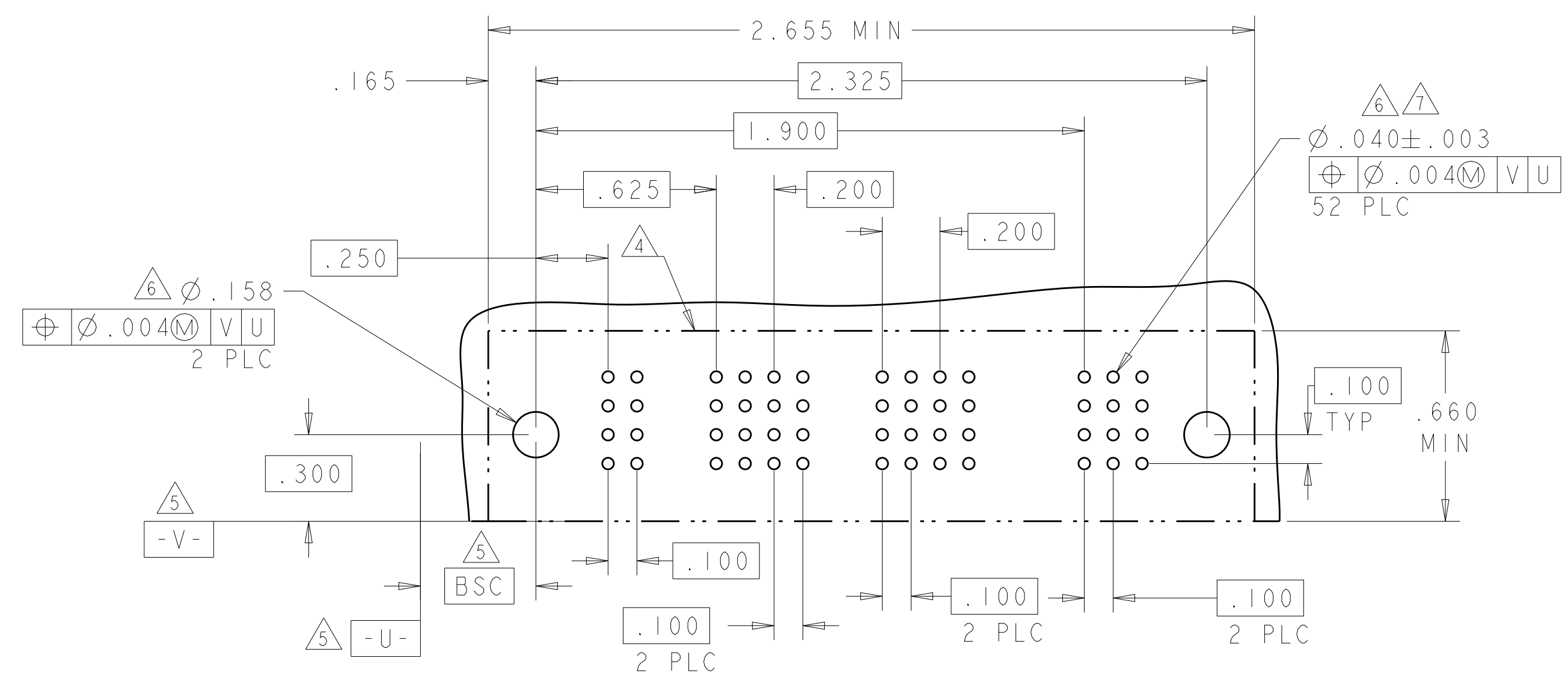
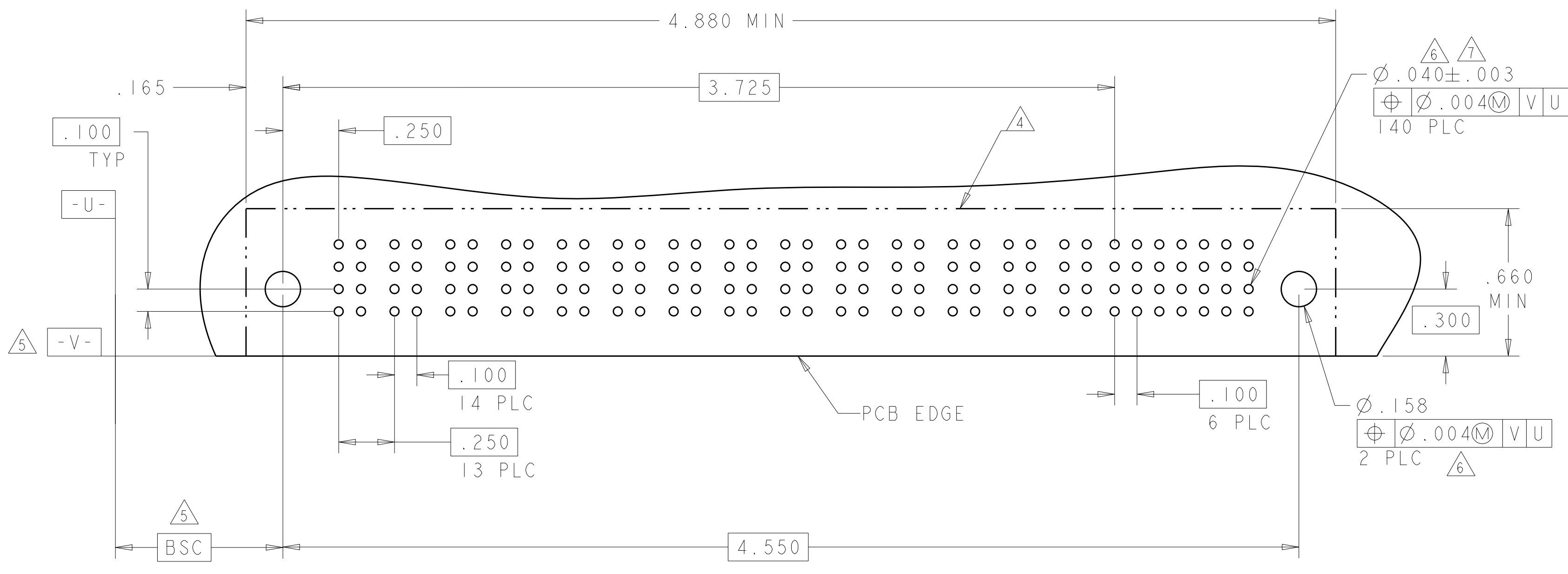
4.425	.200	2.200	4.475		4.775	.450	9P + 92S	1892222-9
6.075	.200	1.375	6.125	-	6.425	.375	36S + 24P	1892222-8
5.100	△	2.375	5.150	-	5.450	.450	8P + 112S	1892222-7
3.800	△	3.175	3.850	-	4.150	.450	12P + 28S	1892222-6
2.275	△	2.050	2.325	-	2.625	.450	5P + 24S	1892222-5
4.500	.250	3.875	4.550	-	4.850	.450	14P + 28S	1892222-4
3.875	△	3.550	3.925	-	4.225	.475	3ACP + 9P + 16S	1892222-3
3.875	△	3.550	3.925	-	4.225	.475	3ACP + 9P + 16S	1892222-2
3.875	△	3.550	3.925	-	4.225	.475	3ACP + 9P + 16S	1892222-1
DIM U	DIM S	DIM W	DIM D	DIM M	DIM L	DIM K	DESCRIPTION	PART NUMBER

DIMENSIONS: INCHES 		TOLERANCES UNLESS OTHERWISE SPECIFIED: 0 PLC ±. 1 PLC ±.01 2 PLC ±.01 3 PLC ±.005 4 PLC ±.002 ANGLES ±.020		DWN Alex Shaoi SEP01'06 CHK Zhao Suny SEP01'06 APVD Siqian Yao SEP01'06 NAME RIGHT ANGLE SOLDER HEADER ASSEMBLY MULTI-BEAM XL USING MBXLE CONTACTS PRODUCT SPEC 108-1973 APPLICATION SPEC 114-13038 WEIGHT CUSTOMER DRAWING		Tyco Electronics Shanghai R.P.C. 200233 SCALE 4:1 SHEET 1 OF 6 REV A5	
---------------------------	--	--	--	--	--	---	--

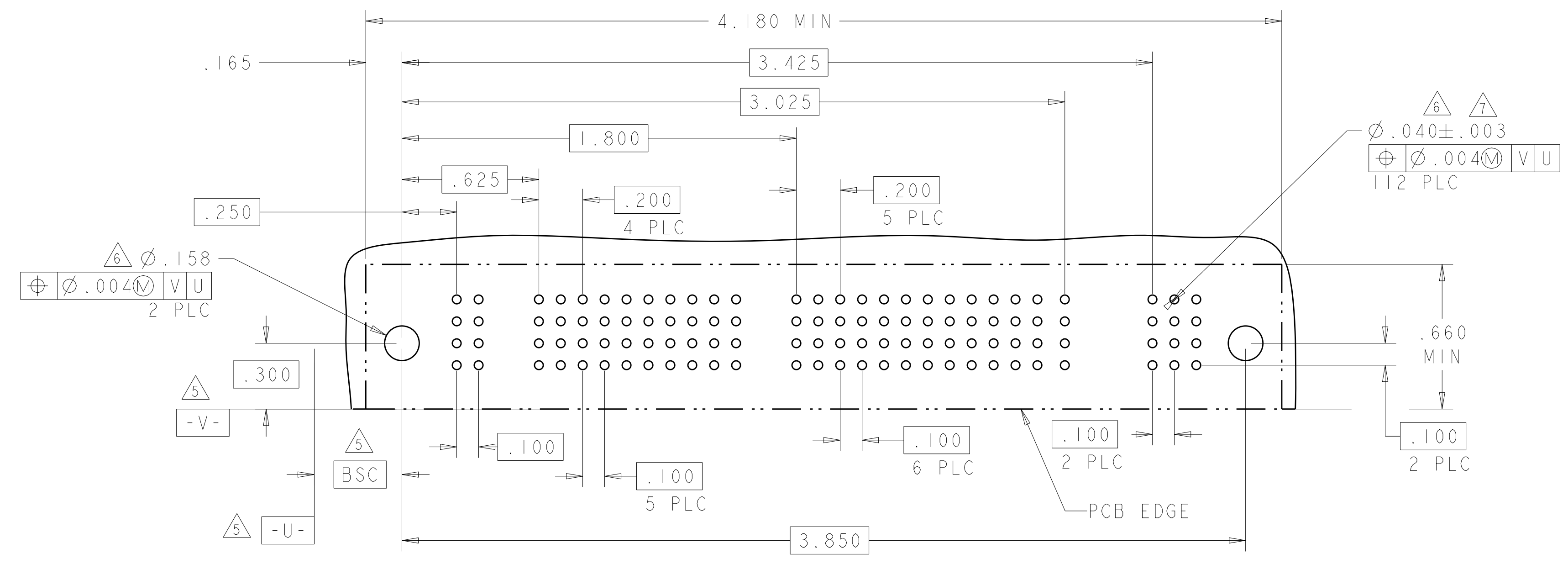
LOC	DIST	REVISIONS					
ES	00	P	LTM	DESCRIPTION	DATE	DWN	APVD
				SEE SHEET 1			

ASSY PART NUMBER	ROWS	POWER														SIGNAL						
		P1	P2	P3	P4	P5	P6	P7	P8	P9	P10	P11	P12	P13	P14	1	2	3	4	5	6	7
1892222-4	D C B A	TM	TM	TM	TM	TM	TM	TM	TM	TM	TM	TM	TM	TM	E	E	E	E	E	E	E	E
14P + 28S															F	F	F	F	F	F	F	F
															G	G	G	G	G	G	G	G
															S	S	S	S	S	S	H	H

PART NUMBER	ROWS	POWER					SIGNAL					
		P1	P2	P3	P4	P5	1	2	3	4	5	6
1892222-5	D C B A	TM	TM	TM	TM	TM	J	J	J	J	J	J
5P + 24S							K	K	K	K	K	K
							N	N	N	N	N	N
							S	S	S	S	S	S



PART NUMBER	ROWS	POWER												SIGNAL						
		P1	P2	P3	P4	P5	P6	P7	P8	P9	P10	P11	P12	1	2	3	4	5	6	7
1892222-6	D C B A	TM	TM	TM	TM	TM	TM	TM	TM	TM	TM	TM	J	J	J	J	J	J	J	
12P + 28S													K	K	K	K	K	K	K	
													N	N	N	N	N	N	N	
													S	S	S	S	S	S	S	



Z	STD	.090	D
Y	STD	.090	C
R	STD	.090	B
O	STD	.090	A
A4	MLBF	.090	D
A3	MLBF	.090	C
A2	MLBF	.090	B
A1	MLBF	.090	A
E	MLBF	.135	D
F	MLBF	.135	C
G	MLBF	.135	B
H	MLBF	.135	A
J	STD	.135	D
K	STD	.135	C
N	STD	.135	B
S	STD	.135	A
CODE	MATING SEQUENCE	TAIL LENGTH	ROW
POWER CONTACT		SIGNAL CONTACT	

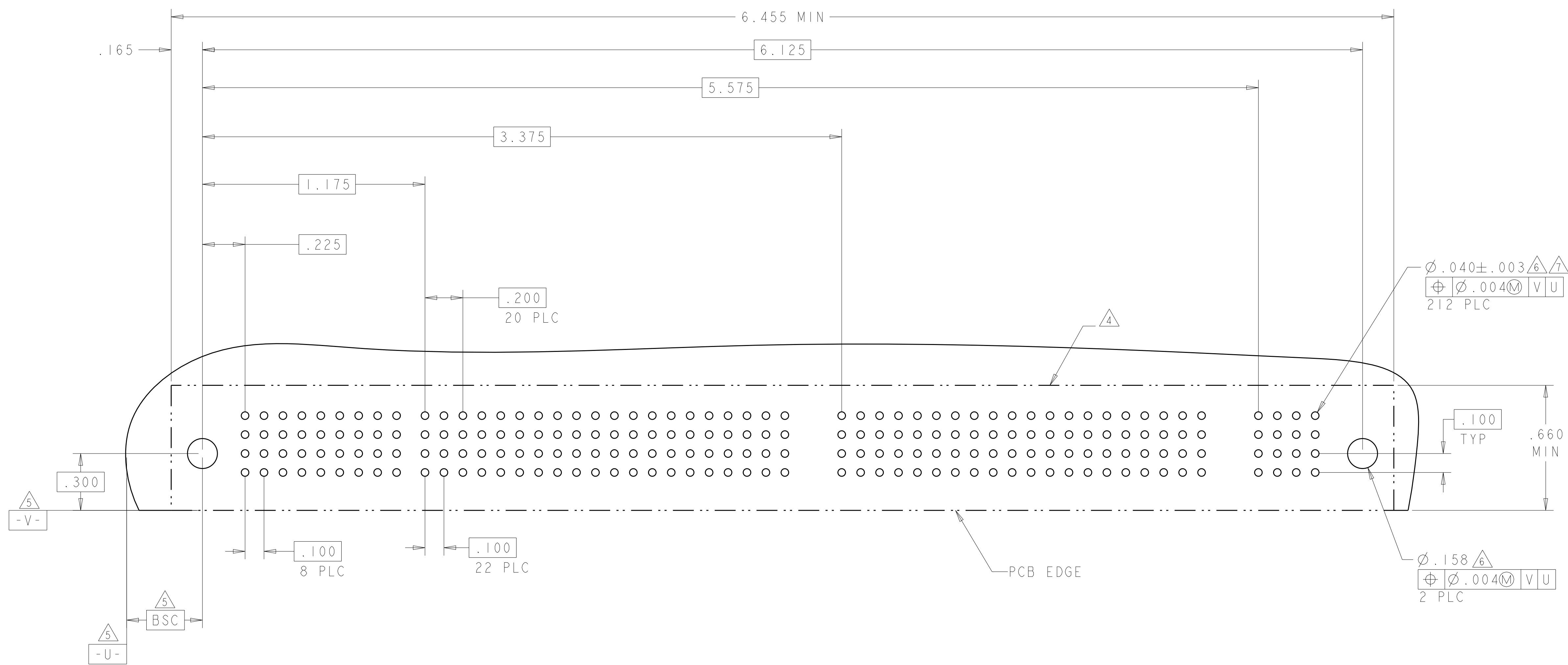
TM	.135
CODE	TAIL LENGTH
POWER CONTACT	

DIMENSIONS: INCHES 		TOLERANCES UNLESS OTHERWISE SPECIFIED: 0 PLC ±. 1 PLC ±.01 2 PLC ±.01 3 PLC ±.005 4 PLC ±.002 ANGLES ±.020		DWN Alex Shogal SEP01'06 CHK Zhao Suny SEP01'06 APVD Steven Yao SEP01'06 PRODUCT SPEC 108-1973 APPLICATION SPEC 114-13038 WEIGHT MATERIAL FINISH		NAME RIGHT ANGLE SOLDER HEADER ASSEMBLY MULTI-BEAM XL USING MBXLE CONTACTS SIZE CAGE CODE DRAWING NO. RESTRICTED TO A1 00779 C=1892222 SCALE 4:1 SHEET 2 OF 6 REV A5	
CUSTOMER DRAWING				Tyco Electronics Shanghai R.P.C. 200233			

LOC	DIST	REVISIONS			
P	LTN	DESCRIPTION	DATE	DMN	APVD
-	-	SEE SHEET 1	-	-	-

(A4)

PART NUMBER	ROWS	SIGNAL									POWER																										
		1	2	3	4	5	6	7	8	9	P1	P2	P3	P4	P5	P6	P7	P8	P9	P10	P11	P12	P13	P14	P15	P16	P17	P18	P19	P20	P21	P22	P23	P24			
1892222-8	D	J	J	J	J				J	J																											
	C	K	K	K	K				K	K	TM	TM	TM	TM	TM	TM	TM	TM	TM	TM	TM	TM	TM	TM	TM	TM	TM	TM	TM	TM	TM	TM	TM				
	B	N	N	N	N				N	N																											
	A	S	S	S	S				S	S																											
36S + 24P																																					



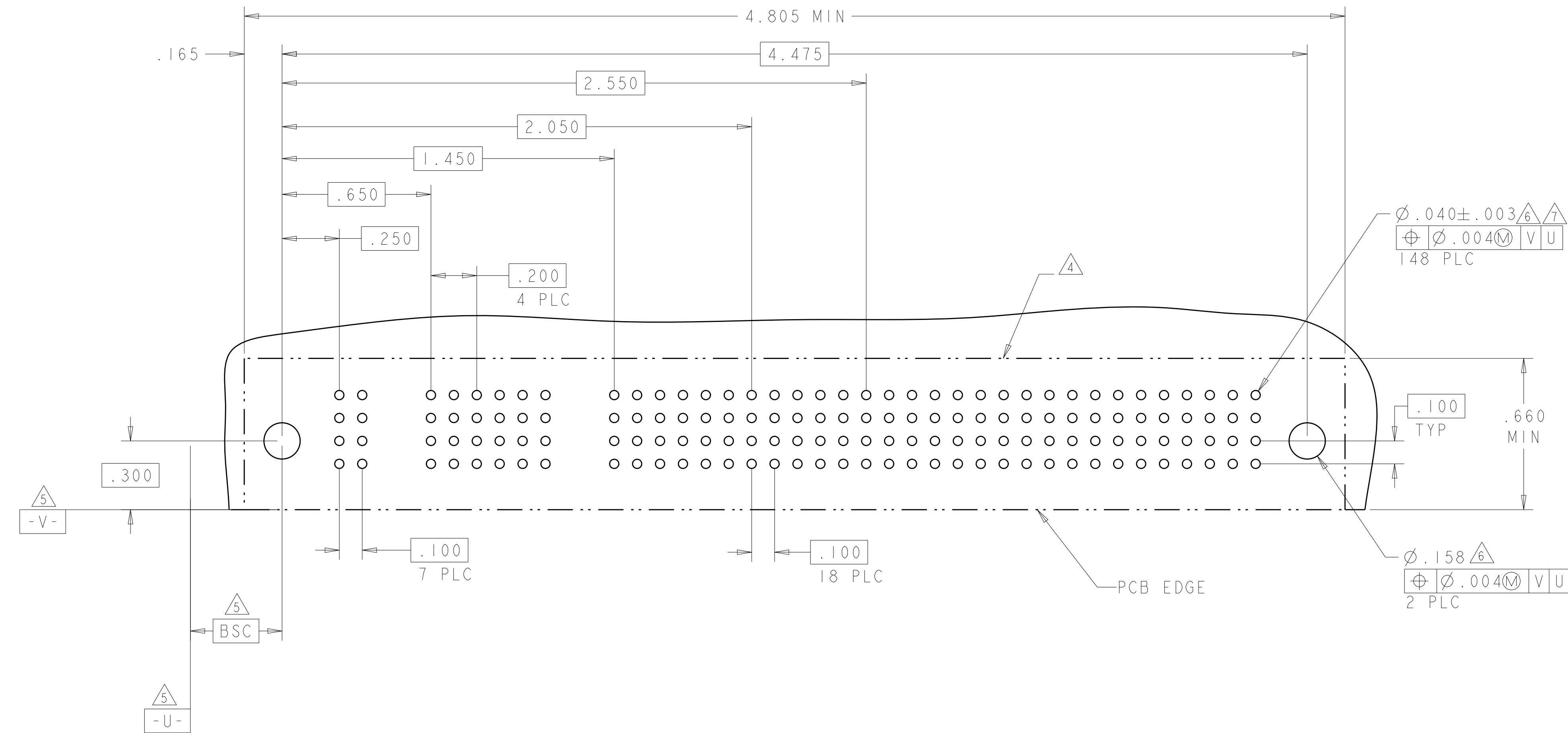
THIS DRAWING IS UNPUBLISHED. RELEASED FOR PUBLICATION. IT IS THE PROPERTY OF TYCO ELECTRONICS CORPORATION. IT IS TO BE USED ONLY FOR THE PURPOSES AND IN THE QUANTITIES SPECIFIED IN THE ORDER. SHOULD BE CONTACTED FOR THE LATEST REVISION.

DIMENSIONS:	TOLERANCES UNLESS OTHERWISE SPECIFIED:	DMN	Alex Shogal	SEP01'06	 Tyco Electronics Shanghai R.P.C. 200233 connectivity
INCHES	0 PLC ±.01 1 PLC ±.01 2 PLC ±.01 3 PLC ±.005 4 PLC ±.0020	CHK	Zhao Suny	SEP01'06	
	ANGLES ±.2°	APVD	Shaojun Yao	SEP01'06	
	FINISH	NAME	RIGHT ANGLE SOLDER HEADER ASSEMBLY	PRODUCT SPEC	
MATERIAL		APPLICATION SPEC	108-1973	APPLICATION SPEC	RESTRICTED TO
		SIZE	114-13038	114-13038	
		WEIGHT			
		CUSTOMER DRAWING			

SCALE 4:1 SHEET 5 OF 6 REV A5

LOC	DIST	REVISIONS			
P	LTN	DESCRIPTION	DATE	DWN	APVD
ES	00	SEE SHEET 1	-	-	-

PART NUMBER	ROWS	POWER									SIGNAL																											
		P1	P2	P3	P4	P5	P6	P7	P8	P9	1	2	3	4	5	6	7	8	9	10	11	12	13	14	15	16	17	18	19	20	21	22	23					
1892222-9	D	C	TM	TM	TM	TM	TM	TM	TM	J	J				J	J	J	J	J	J	J	J	J	J	J	J	J	J	J	J	J							
	C									K	K				K	K	K	K	K	K	K	K	K	K	K	K	K	K	K	K	K	K	K	K	K	K	K	
	B									N	N				N	N	N	N	N	N	N	N	N	N	N	N	N	N	N	N	N	N	N	N	N	N	N	N
	A									S	S				S	S	S	S	S	S	S	S	S	S	S	S	S	S	S	S	S	S	S	S	S	S	S	
9P + 92S																																						



<small>THIS DRAWING IS UNPUBLISHED. RELEASED FOR PUBLICATION BY TYCO ELECTRONICS CORPORATION. ALL RIGHTS RESERVED.</small>		DWN Alex Shogai SEP01'06 CHK Zhao Suny SEP01'06 APVD Siqian Yao SEP01'06	STE Tyco Electronics Shanghai R.P.C. 200233 <small>connectivity</small>
DIMENSIONS: INCHES 	TOLERANCES UNLESS OTHERWISE SPECIFIED: 0 PLC ±. 1 PLC ±.01 2 PLC ±.01 3 PLC ±.005 4 PLC ±.0020 ANGLES ±.7°	NAME RIGHT ANGLE SOLDER HEADER ASSEMBLY MULTI-BEAM XL USING MBXL CONTACTS PRODUCT SPEC 108-1973 APPLICATION SPEC SIZE 114-13038 WEIGHT CUSTOMER DRAWING	RESTRICTED TO A1 00779 ©=1892222 SCALE 4:1 SHEET 6 OF 6 REV A5