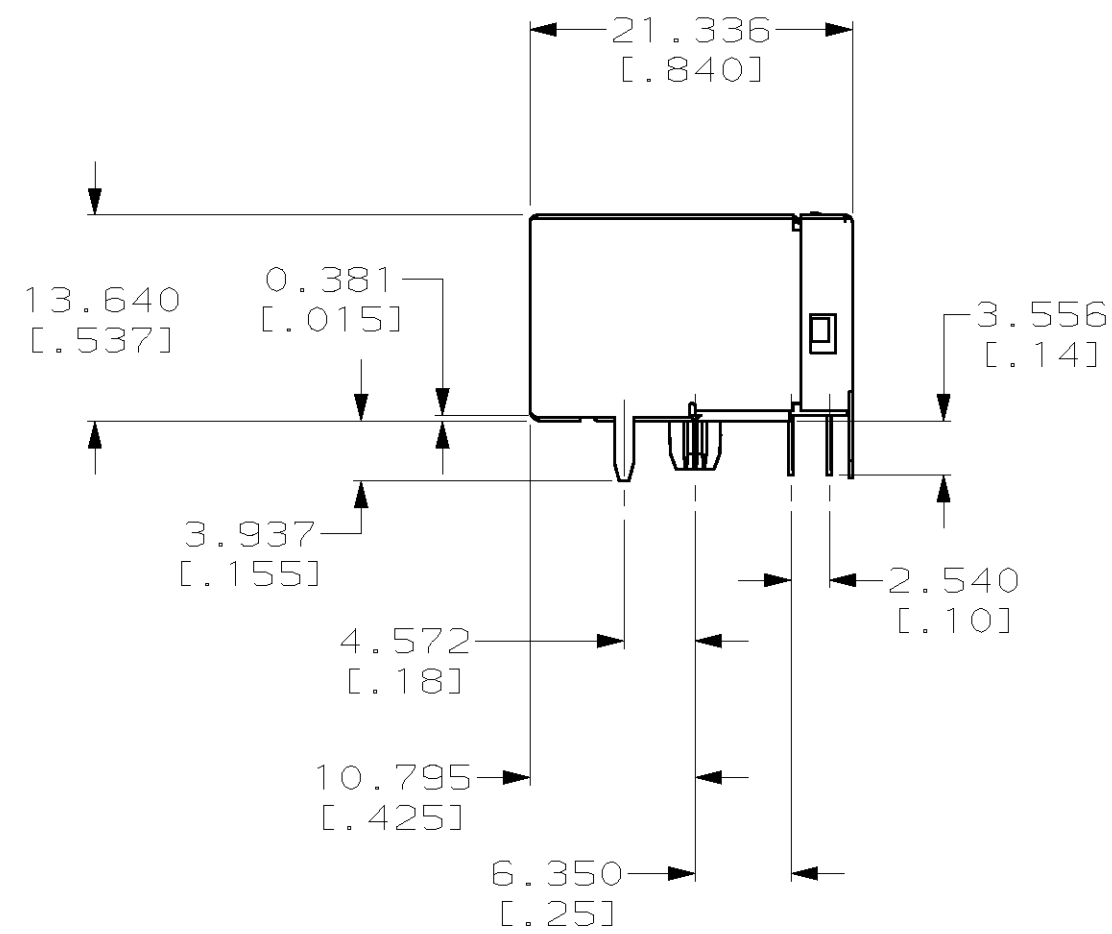
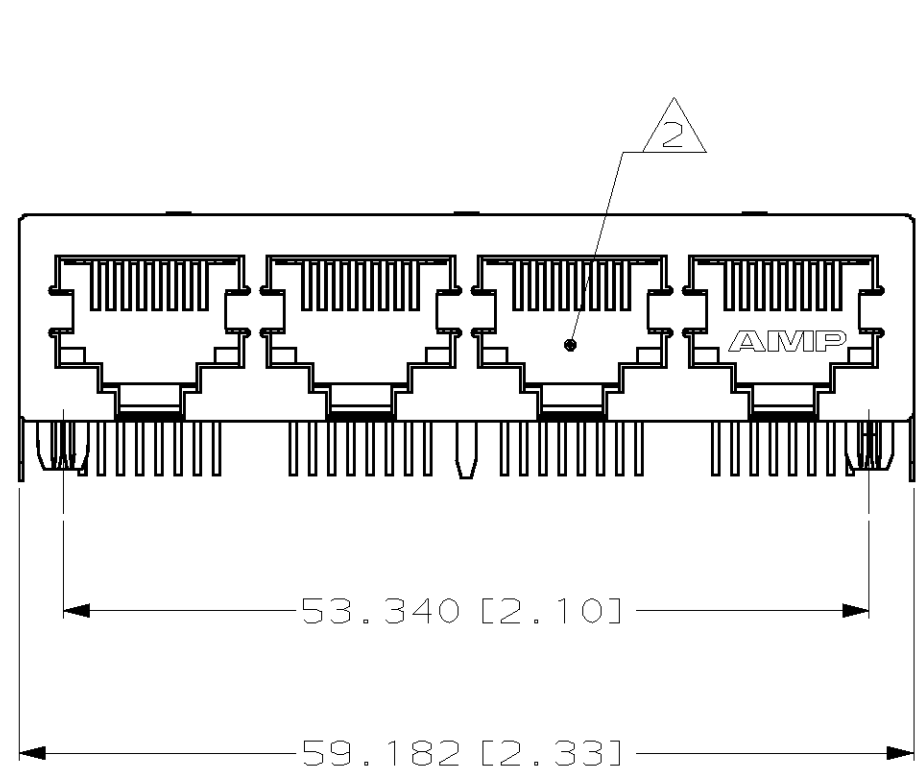
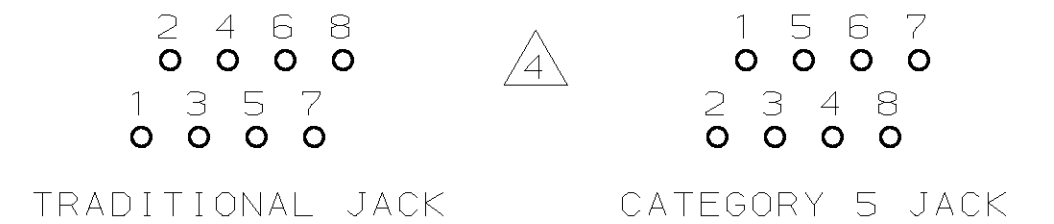
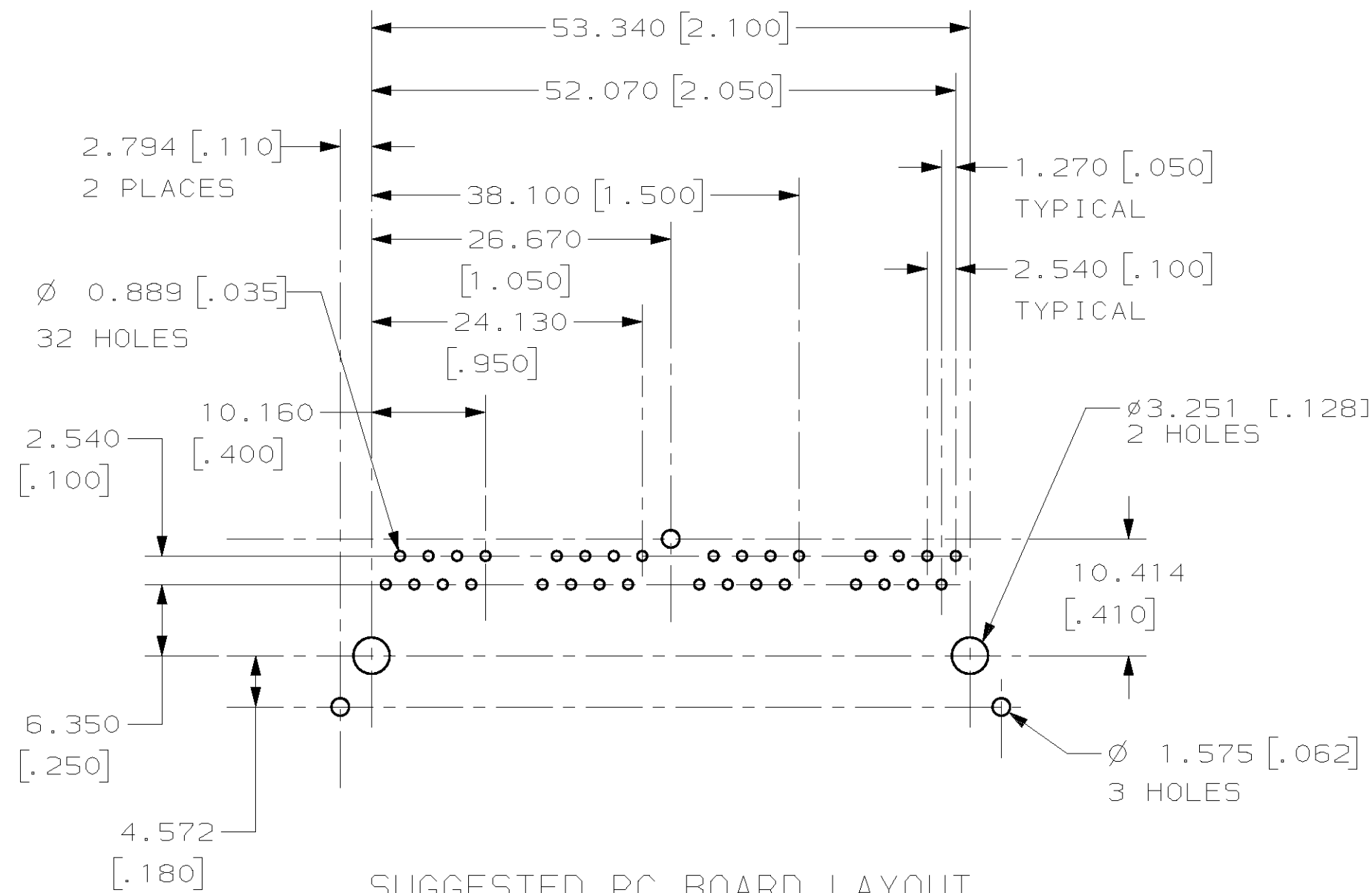


THIS DRAWING IS UNPUBLISHED. RELEASED FOR PUBLICATION .19  
 (C) COPYRIGHT 19 BY AMP INCORPORATED. ALL RIGHTS RESERVED.

LOC	DIST	REVISIONS			
P	LTR	DESCRIPTION	DATE	DWN	APVD
AA	22	C	REV; EC OG7A-0210-98	08FEB99	DLD CMB



- 1 MATERIAL: HOUSING - PCT POLYESTER, BLACK, IR COMPATIBLE, UL 94V-0. TERMINALS - 0.33[.013] THICK PHOS BRONZE PLATED WITH 1.27 $\mu$ m[.000050] MINIMUM HARD GOLD ON LOCALIZED AREA AND 3.81 $\mu$ m[.000150] MINIMUM TIN-LEAD IN SOLDER AREA OVER 1.27 $\mu$ m[.000050] MINIMUM NICKEL UNDERPLATE.
- 2 JACK CAVITY CONFORMS TO FCC RULES AND REGULATIONS, PART 68 SUBPART F.
- 3. ALL DIMENSIONS ARE NOMINAL UNLESS OTHERWISE SPECIFIED.
- 4 CAUTION: CATEGORY 5 JACK SOLDER TAIL POSITIONS DO NOT FOLLOW SAME NUMBER SEQUENCE AS THAT OF THE TRADITIONAL JACKS.



SUGGESTED PC BOARD LAYOUT  
 COMPONENT SIDE  
 SEE APPLICATION SPECIFICATION

THIS DRAWING IS A CONTROLLED DOCUMENT FOR AMP INCORPORATED. IF IS SUBJECT TO CHANGE AND THE CONTROLLING ENGINEERING ORGANIZATION SHOULD BE CONTACTED FOR THE LATEST REVISION.		DWN W. LONG 3-8-94	AMP Incorporated Harrisburg, PA 17105-3608	
DIMENSIONS: mm [INCHES]		CHK B. FOX 3-16-94	NAME MODULAR JACK ASSEMBLY, PORT, 8 POSITION, RIGHT ANGLE, CATEGORY 5, PC BOARD GROUND SHIELD	
TOLERANCES UNLESS OTHERWISE SPECIFIED: 0 PLC ±- 1 PLC ±- 2 PLC ±0.25 [.01] 3 PLC ±0.13 [.005] 4 PLC ±- ANGLES ±- FINISH		APVD G. REED 3-16-94	DRAWING NO. A2 00779 C-558503	
MATERIAL		PRODUCT SPEC 108-1392	SIZE A2	SCALE 2:1
		APPLICATION SPEC 114-2048	CAGE CODE 00779	SHEET 1 OF 1
		WEIGHT -	DRAWING NO. C-558503	REV C
		CUSTOMER DRAWING		

558503