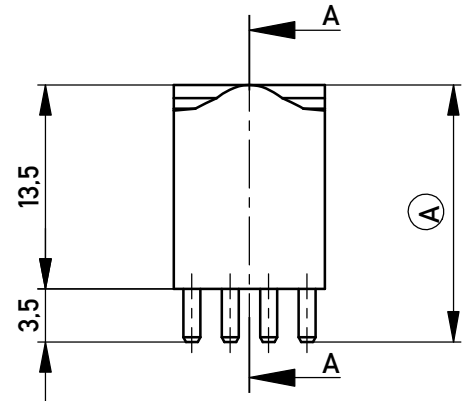
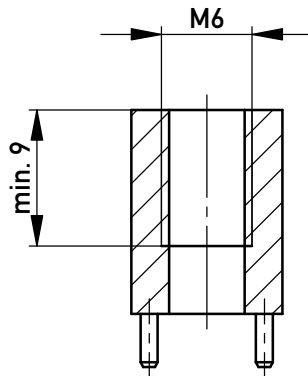
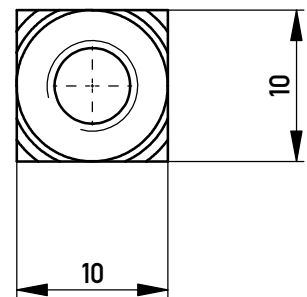
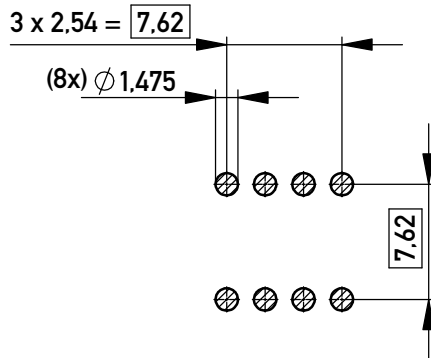


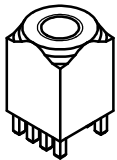
Schnitt A-A  
cross section A-A



Layout - Vorschlag  
PCB - Layout proposal  
M 1:1  
scale 1:1



M 1:1  
scale 1:1



2-6µm Sn matt über 1-3µm Cu  
2-6µm sn matt over 1-3µm cu

Ⓐ Oberfläche / plating

Copyright by ERNI Production GmbH & Co. KG  
Proprietary notice pursuant to ISO 16016 to be observed.

|   |  |  |                             |   |           |
|---|--|--|-----------------------------|---|-----------|
| Information:  |  | Tolerances   | <br>All Dimensions<br>in mm | Scale   | 2:1       |
| All rights reserved.<br>Only for Information.<br>To ensure that this is the latest<br>version of this drawing, please<br>contact one of the ERNI companies<br>before using. |  | Subject to modification without<br>prior notice.<br>Drawing will not be updated. |                             | Material:   | CuZn39Pb3 |
|   |  | <br>www.ERNI.com   |                             | Designation   |           |
|   |  |  |                             | <b>PowerElement female thread</b><br><b>two row population M6</b> |           |
| b   |  | 13.02.2018   |                             | <b>225696</b>   |           |
| Index   |  | Date   |                             |   |           |
|   |  |  |                             | Class   | POWELM    |
|   |  |  |                             |   | A4        |