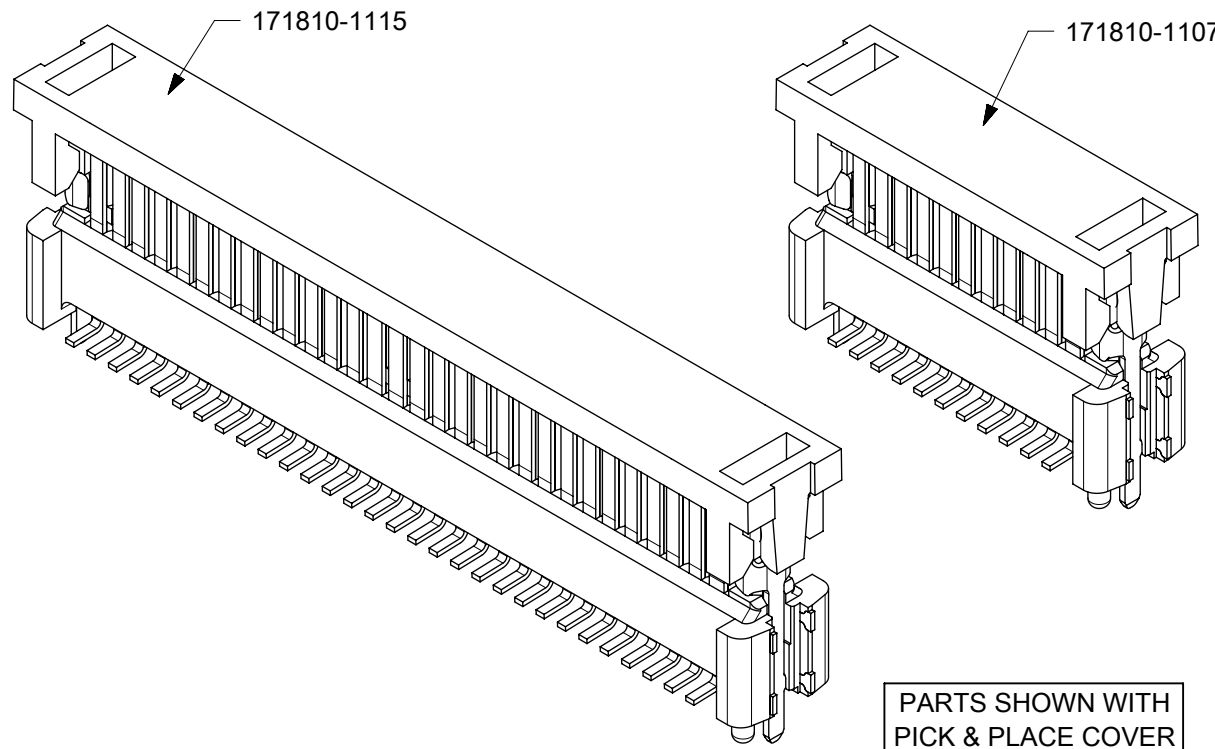
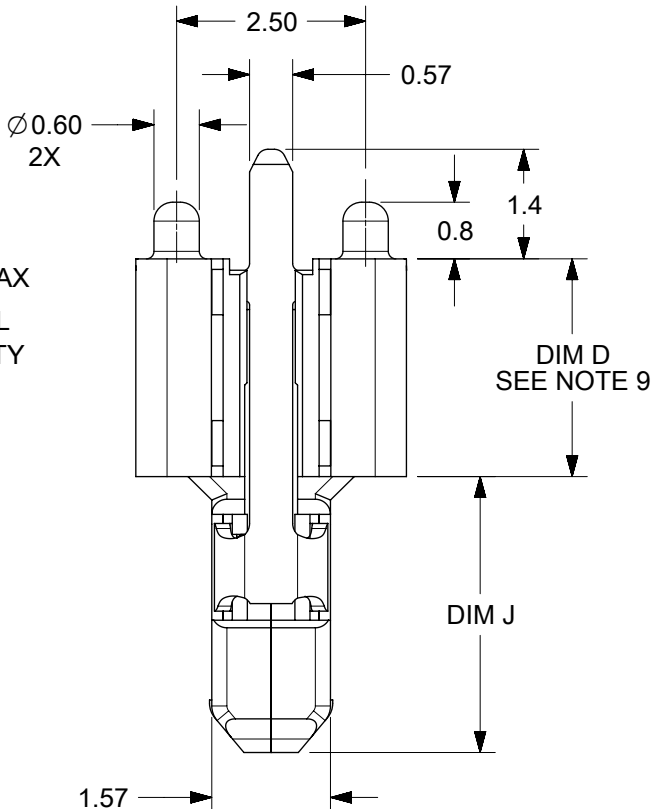
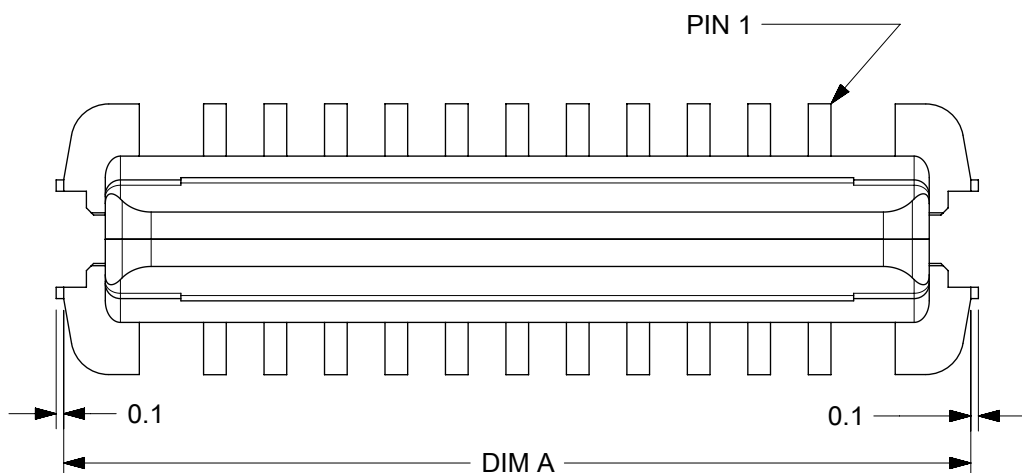


0.10 MAX  
SOLDER TAIL  
COPLANARITY



PARTS SHOWN WITH  
PICK & PLACE COVER



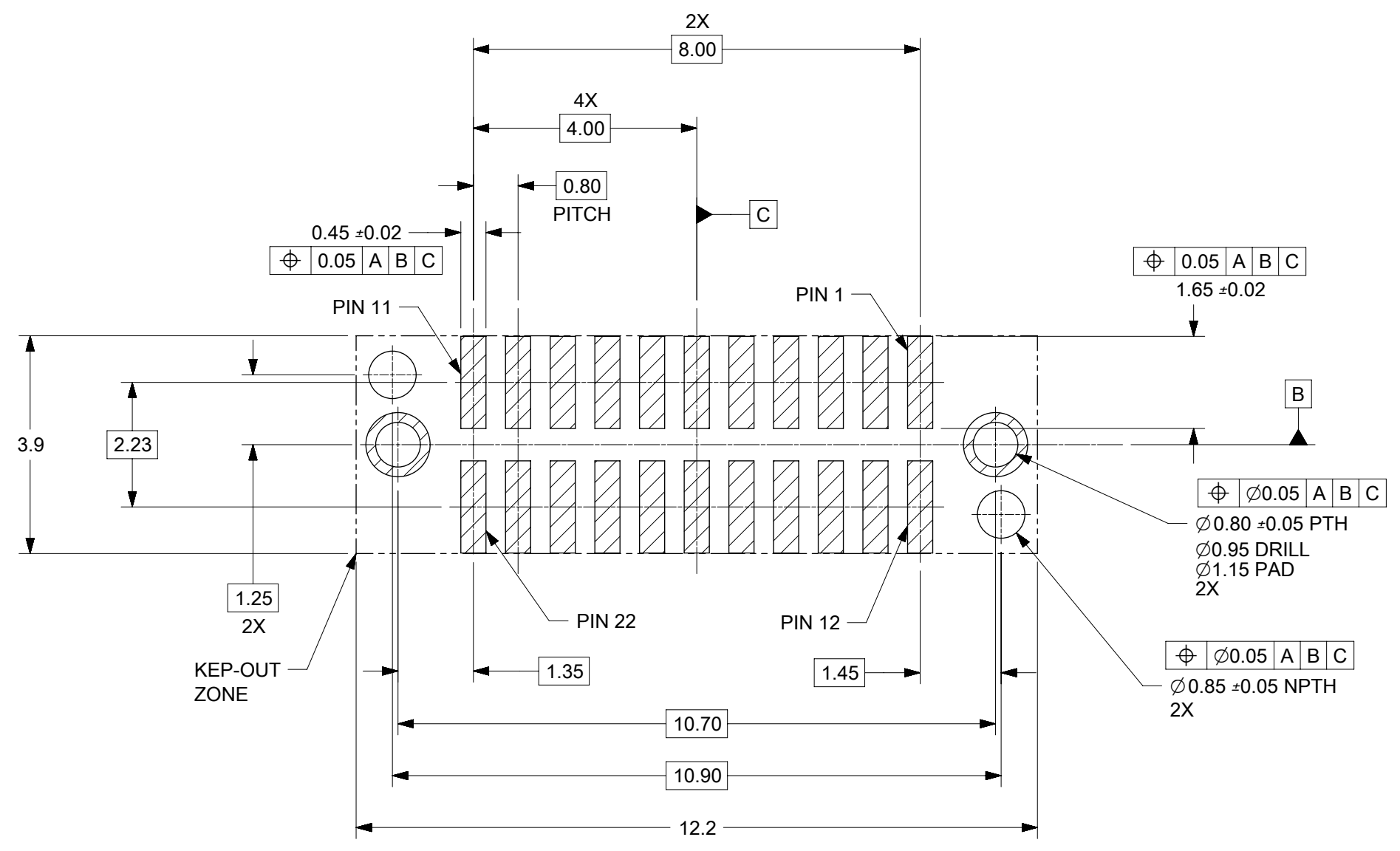
PART NUMBER	CKT SIZE	DIFF PAIRS	SPARE CKTS	DIM A	DIM B	DIM C	DIM D	DIM J
171810-1101	22	6	2	12.0	10.90	10.70	0.90	2.6
171810-1102							1.90	
171810-1103							2.90	
171810-1104							3.90	3.6
171810-1105							0.90	
171810-1106							1.90	
171810-1107							2.90	
171810-1108							3.90	
171810-1109							60	16
171810-1110	1.90							
171810-1111	2.90							
171810-1112	3.90	3.6						
171810-1113	0.90							
171810-1114	1.90							
171810-1115	2.90							
171810-1116	3.90							

NOTES:

- MATERIALS: HOUSING: LCP, UL94V-0, BLACK  
CONTACTS: HIGH PERFORMANCE COPPER ALLOY
- FINISH: 0.76 µm MIN SELECT GOLD IN CONTACT AREA  
SELECT MATTE TIN IN TAIL AREA, OVERALL NICKEL
- PRODUCT SPECIFICATION: PS-171446-0001
- PACKAGING SPECIFICATION: TAPE AND REEL  
PER PK-70873-6003
- MATES WITH SPEEDSTACK RECEPTACLE: 171450
- APPLICATION SPECIFICATION: AS-171450-9999
- COSMETIC SPECIFICATION: PS-45499-002 CLASS B
- PART STATUS: CONTACT MOLEX
- DIM D ON THIS DRAWING PLUS DIM D ON DRAWING  
SD-171450-5000 EQUALS THE SYSTEM MATED STACK HEIGHT
- PARTS TO BE SHIPPED WITH PICK & PLACE COVERS.

QUALITY SYMBOLS	THIS DRAWING CONTAINS INFORMATION THAT IS PROPRIETARY TO MOLEX ELECTRONIC TECHNOLOGIES, LLC AND SHOULD NOT BE USED WITHOUT WRITTEN PERMISSION											
	▽ = 0 ▽ = 0 ▽ = 0 ▼ = 0 ▽ = 0 ⊠ = 0 ■ = 0 ▽ = 0	EC NO: 122646 DRWN: MAZAM CHKD: JBINGHAM APPR: KLANG	2017/09/26 2017/09/28 2017/10/03	MIGRATED TO NX	GENERAL TOLERANCES (UNLESS SPECIFIED)		DIMENSION UNITS	SCALE	 <b>SPEEDSTACK</b> SINGLE-ENDED PLUG SALES ASSEMBLY DRAWING PRODUCT CUSTOMER DRAWING			
ANGULAR TOL ± 0.5 °					mm	10:1						
4 PLACES ±					3 PLACES ±	DRWN BY	DATE					
2 PLACES ± 0.13					1 PLACE ± 0.25	JBINGHAM	2016/12/05					
0 PLACES ±	DRAFT WHERE APPLICABLE MUST REMAIN WITHIN DIMENSIONS	CHK'D BY	DATE	SERIES			MATERIAL NUMBER	CUSTOMER				
		KLANG	2016/12/05	KLANG			2016/12/20	171810	SEE CHART	GENERAL MARKET		
				DRAWING SIZE	THIRD ANGLE PROJECTION	DOCUMENT NUMBER			DOC TYPE	DOC PART	SHEET NUMBER	
				B		SD-171810-1000			PSD	001	1 OF 3	

# PCB LAYOUT - 22 CKT



## PCB LAYOUT (COMPONENT SIDE)

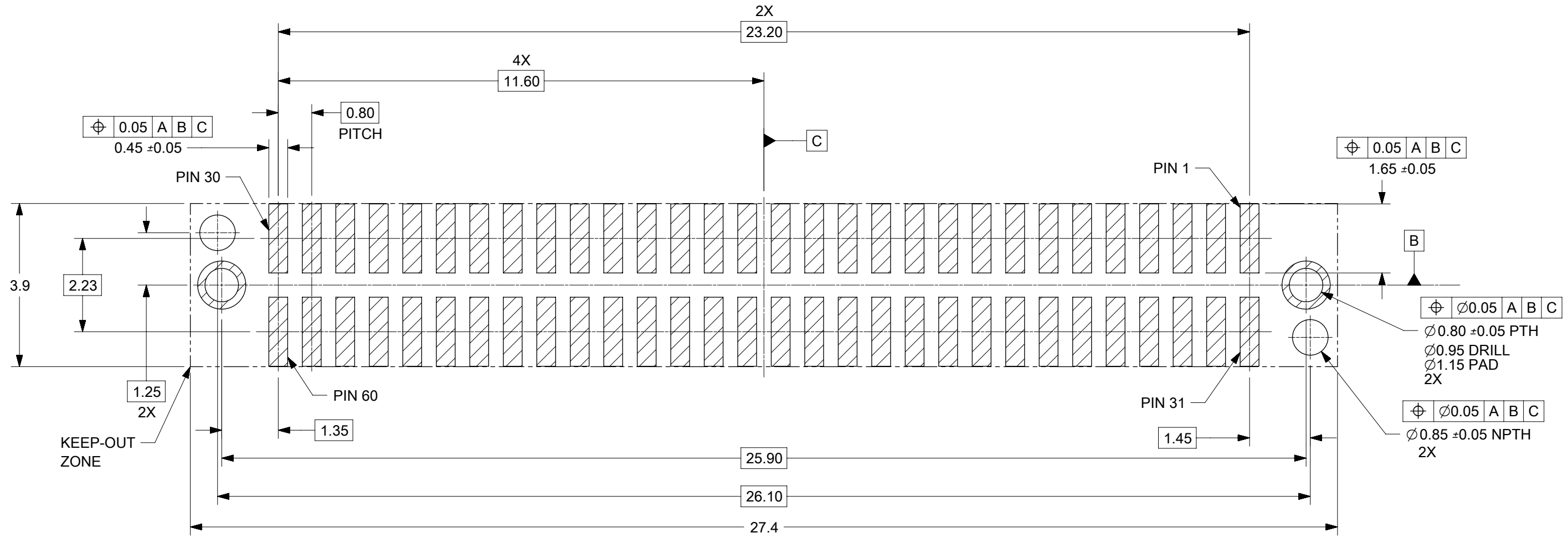
SOLDER PASTE THICKNESS: 0.15 MIN

DATUM A IS THE BOTTOM SURFACE OF THE PCB

NOTE:  
PIN NUMBERING IS FOR REFERENCE ONLY.  
OTHER PIN NUMBERS WILL NOT AFFECT THE  
OPERATION OF THE CONNECTOR.

THIS DRAWING CONTAINS INFORMATION THAT IS PROPRIETARY TO MOLEX ELECTRONIC TECHNOLOGIES, LLC AND SHOULD NOT BE USED WITHOUT WRITTEN PERMISSION												
QUALITY SYMBOLS	MIGRATED TO NX	EC NO: 122646	DRWN: MAZAM	CHKD: JBINGHAM	REV APPR: KLANG	GENERAL TOLERANCES (UNLESS SPECIFIED)		DIMENSION UNITS	SCALE			
						ANGULAR TOL $\pm 0.5^\circ$		mm	10:1			
$\nabla$ = 0						4 PLACES	$\pm$	DRWN BY	DATE	SPEEDSTACK SINGLE-ENDED PLUG SALES ASSEMBLY DRAWING		
$\nabla$ = 0						3 PLACES	$\pm$	JBINGHAM	2016/12/05			
$\nabla$ = 0						2 PLACES	$\pm 0.13$	CHK'D BY	DATE	PRODUCT CUSTOMER DRAWING		
$\nabla$ = 0						1 PLACE	$\pm 0.25$	KLANG	2016/12/05			
$\nabla$ = 0						0 PLACES	$\pm$	APPR BY	DATE	SERIES: 171810    MATERIAL NUMBER: SEE CHART    CUSTOMER: GENERAL MARKET		
$\nabla$ = 0						DRAFT WHERE APPLICABLE MUST REMAIN WITHIN DIMENSIONS		KLANG	2016/12/20			
$\nabla$ = 0						DRAFT WHERE APPLICABLE MUST REMAIN WITHIN DIMENSIONS		DRAWING SIZE	THIRD ANGLE PROJECTION	DOCUMENT NUMBER: SD-171810-1000    DOC TYPE: PSD    DOC PART: 001    SHEET NUMBER: 2 OF 3		
$\nabla$ = 0								B				

# PCB LAYOUT - 60 CKT



## PCB LAYOUT (COMPONENT SIDE)

SOLDER PASTE THICKNESS: 0.15 MIN  
 DATUM **A** IS THE BOTTOM SURFACE OF THE PCB

NOTE:  
 PIN NUMBERING IS FOR REFERENCE ONLY.  
 OTHER PIN NUMBERS WILL NOT AFFECT THE  
 OPERATION OF THE CONNECTOR.

THIS DRAWING CONTAINS INFORMATION THAT IS PROPRIETARY TO MOLEX ELECTRONIC TECHNOLOGIES, LLC AND SHOULD NOT BE USED WITHOUT WRITTEN PERMISSION												
QUALITY SYMBOLS	MIGRATED TO NX	EC NO: 122646	DRWN: MAZAM	CHKD: JBINGHAM	APP: KLANG	GENERAL TOLERANCES (UNLESS SPECIFIED)		DIMENSION UNITS	SCALE			
						ANGULAR TOL $\pm 0.5^\circ$		mm	10:1			
$\nabla = 0$						4 PLACES	$\pm$	DRWN BY	DATE	SPEEDSTACK SINGLE-ENDED PLUG SALES ASSEMBLY DRAWING		
$\nabla = 0$						3 PLACES	$\pm$	JBINGHAM	2016/12/05			
$\nabla = 0$						2 PLACES	$\pm 0.13$	CHK'D BY	DATE	PRODUCT CUSTOMER DRAWING		
$\nabla = 0$						1 PLACE	$\pm 0.25$	KLANG	2016/12/05			
$\nabla = 0$						0 PLACES	$\pm$	APPR BY	DATE	SERIES: 171810 MATERIAL NUMBER: SEE CHART CUSTOMER: GENERAL MARKET		
$\nabla = 0$						DRAFT WHERE APPLICABLE MUST REMAIN WITHIN DIMENSIONS		KLANG	2016/12/20			
$\nabla = 0$								DRAWING SIZE	THIRD ANGLE PROJECTION	DOCUMENT NUMBER: SD-171810-1000 DOC TYPE: PSD DOC PART: 001 SHEET NUMBER: 3 OF 3		
$\nabla = 0$								B				