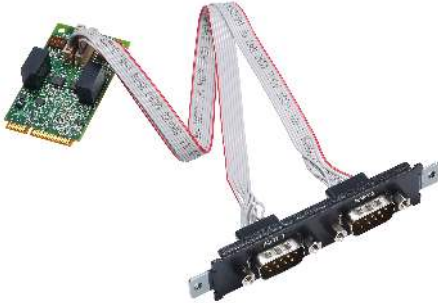


# CP-102N Series

## 2-port RS-232 Mini PCI Express boards



### Features and Benefits

- Mini PCIe interface support
- 921.6 kbps maximum baudrate for fast data transmission
- 128-byte FIFO and on-chip H/W, S/W flow control
- Drivers provided for a broad selection of operating systems, including Windows and Linux

### Certifications



## Introduction

The CP-102N is a multiport serial board designed for industrial automation system and industrial PC manufacturers. It is compatible with any Mini PCI Express slot. The board requires only a 3.3 VDC power supply, which means it can work with host computers ranging from DIN-rail PCs to standard-sized PCs.

The CP-102N is a top choice of industrial automation engineers and system integrators and supports Windows and Linux operating systems. In addition, the four RS-232 serial ports support a fast 921.6 kbps baudrate. The CP-102N provides full-modem control signals to ensure compatibility with a wide range of serial peripherals. It also provides 1 kV line-to-line surge protection and 2.5 kV isolation (for the I model), ensuring compatibility in a wide range of industrial environments.

### A New Family of Mini PCI Express Multiport Serial Boards for Faster Time to Market

Moxa's new Mini PCI Express multiport serial board family fulfills the need for customized expansion and enables faster time to market for OEMs and system integrators. It includes Isolated and non-Isolated RS-232/422/485 communication cards for various applications.

The serial boards feature high performance 16C950 compatible UARTs and are available in 4-port and 2-port versions compatible with all popular operating systems. They support data rates of up to 921.6 kbps and have 128-byte transmit and receive FIFOs. The serial boards can operate in the -40 to 85°C temperature range. Door brackets are included in the package for all models, enabling the installation of the serial boards in a Moxa IPC expansion slot.

## Specifications

### Serial Interface

Comm. Controller	16C550C compatible
Bus	Mini PCI Express
Connector	2 x DB9 male DB9 male
FIFO	128 bytes
No. of Ports	2
Serial Standards	RS-232
Baudrate	50 bps to 921.6 kbps (supports non-standard baudrates)
Stop Bits	1, 1.5, 2
Parity	None, Even, Odd, Space, Mark

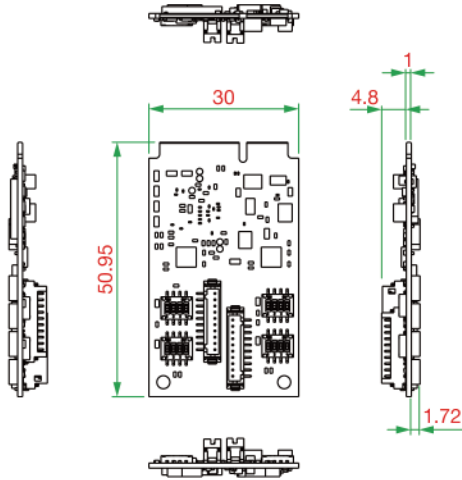
Flow Control	None, RTS/CTS, XON/XOFF
Isolation	2.5 kV (I models)
<b>Serial Signals</b>	
RS-232	TxD, RxD, RTS, CTS, DTR, DSR, DCD, GND
<b>Serial Software Features</b>	
Windows Drivers	Windows 7/8/8.1/10/11 (x86/x64), Windows 2008 R2/2012/2012 R2/2016/2019 (x64), Windows Server 2022
Linux Drivers	Linux kernel 4.x, Linux kernel 5.x
<b>Power Parameters</b>	
Input Current	CP-102N-T: 377 mA @ 3.3 VDC CP-102N-I-T: 458 mA @ 3.3 VDC
<b>Physical Characteristics</b>	
Dimensions	30 x 50.95 mm (1.18 x 2 in)
<b>Environmental Limits</b>	
Operating Temperature	-40 to 85°C (-40 to 185°F)
Storage Temperature (package included)	-20 to 85°C (-4 to 185°F)
Ambient Relative Humidity	5 to 95% (non-condensing)
<b>Standards and Certifications</b>	
EMC	EN 55032/35
EMI	CISPR 32, FCC Part 15B Class A
EMS	IEC 61000-4-2 ESD: Contact: 4 kV; Air: 8 kV IEC 61000-4-3 RS: 80 MHz to 1 GHz: 3 V/m IEC 61000-4-4 EFT: Power: 1 kV; Signal: 0.5 kV IEC 61000-4-5 Surge: Power: 2 kV, Signal: 1 kV IEC 61000-4-6 CS: 150 kHz to 80 MHz: 3 V/m; Signal: 3 V/m IEC 61000-4-8 PFMF
<b>Declaration</b>	
Green Product	RoHS, CRoHS, WEEE
<b>MTBF</b>	
Time	CP-102N-I-T: 3,512,504 hrs CP-102N-T: 4,715,178 hrs
Standards	Telcordia (Bellcore) Standard TR/SR
<b>Warranty</b>	
Warranty Period	5 years
Details	See <a href="http://www.moxa.com/warranty">www.moxa.com/warranty</a>
<b>Package Contents</b>	
Device	1 x CP-102N Series serial board
Cable	2 x 10-pin female to 1 DB9 male serial cable, 25 cm

Installation Kit	Door/CP-100N Port12
Documentation	1 x quick installation guide 1 x warranty card

## Dimensions

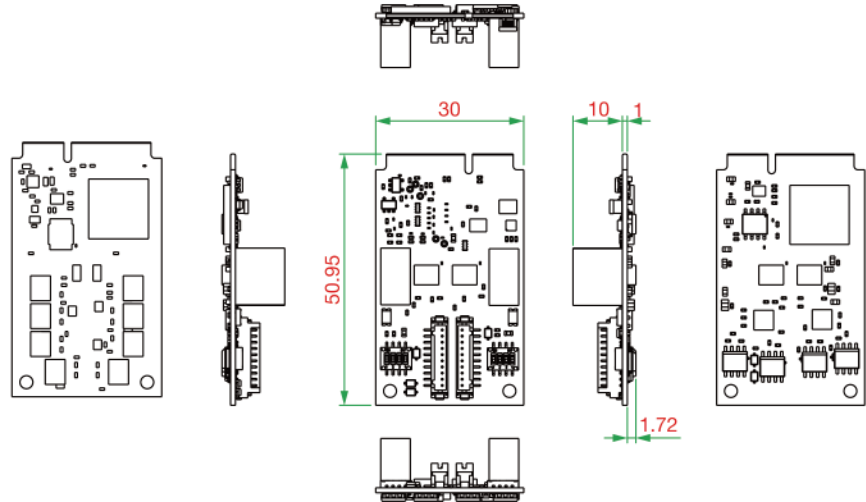
### CP-102N-T

Unit: mm



### CP-102N-I-T

Unit: mm



## Ordering Information

Model Name	Serial Standards	No. of Serial Ports	Serial Isolation Protection
CP-102N-T	RS-232	2	-
CP-102N-I-T	RS-232	2	2.5 kV

## Accessories (sold separately)

### Connectors

Mini DB9F-to-TB	DB9 female to terminal block connector
-----------------	--

### Cables

CBL-M9HSF1x10H-15-01	10-pin female to 1 DB9 male serial cable, 15 cm Applicable Models: CP-102N-I-T
CBL-M9HSF1x10H-15-02	10-pin female to 1 DB9 male serial cable, 15 cm Applicable Models: CP-102N-T

© Moxa Inc. All rights reserved. Updated Jan 16, 2023.

This document and any portion thereof may not be reproduced or used in any manner whatsoever without the express written permission of Moxa Inc. Product specifications subject to change without notice. Visit our website for the most up-to-date product information.